

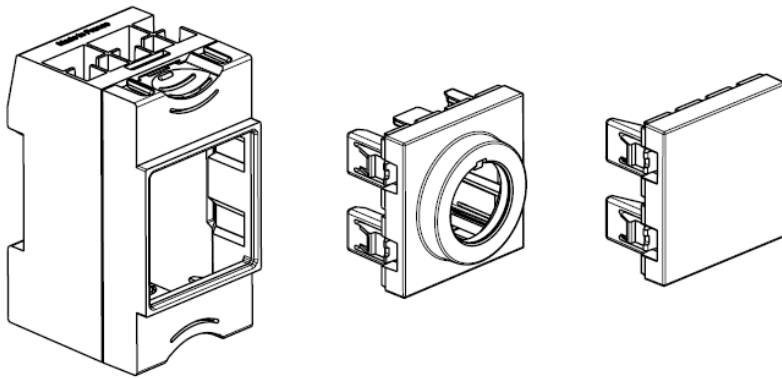
DX³ universal support and adaptors

Catalogue number(s): 4 129 50 - 4 129 51 - 4 129 52

CONTENTS

Page

1. Description - use.....	1
2. Range	1
3. Overall dimensions	1
4. Positioning	1
5. Connection.....	3
6. General features	3
7. Maintenance	3
8. Compliance and approvals.....	3
9. Equipment	3

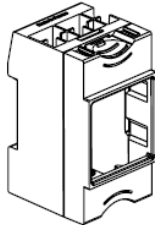


1. DESCRIPTION - USE

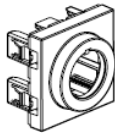
For integrating Mosaic™, Arteor™ and Osmoz™ mechanisms and various other products (potentiometer, etc.) on a modular rail.

2. RANGE

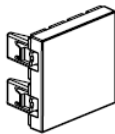
4 129 50: Universal support for Mosaic™ and Arteor™ mechanisms



4 129 51: Adaptor for Osmoz™

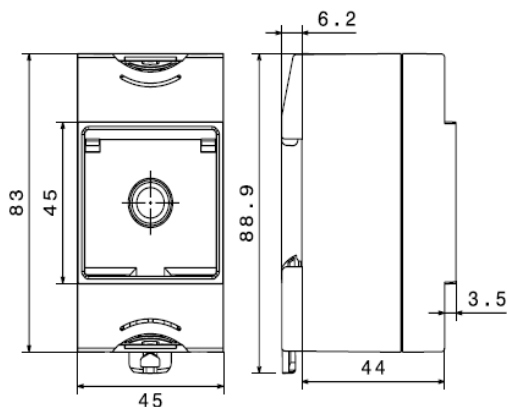


4 129 52: Solid adaptor (to be drilled) for various wiring accessories (potentiometer, etc.)

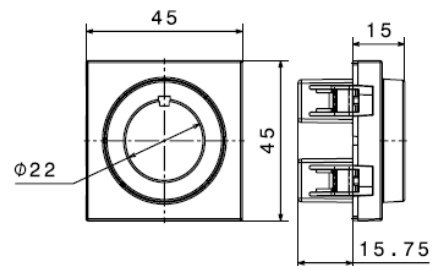


3. OVERALL DIMENSIONS

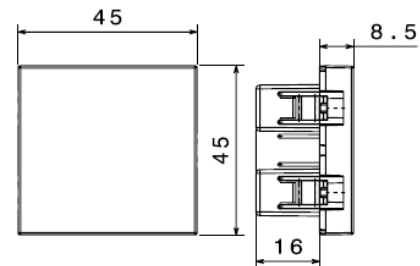
Cat. No. 4 129 50



Cat. No. 4 129 51



Cat. No. 4 129 52



4. POSITIONING

Mounting

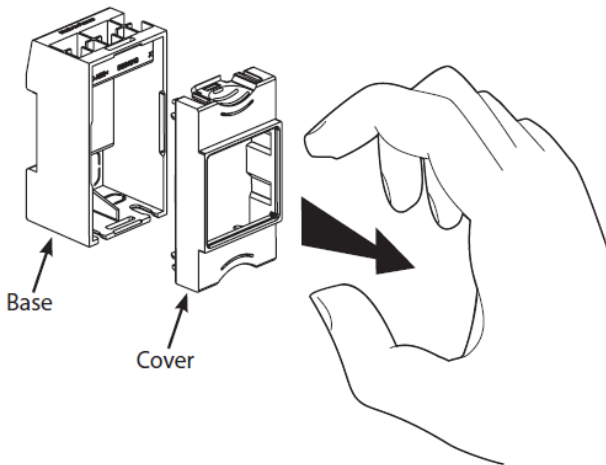
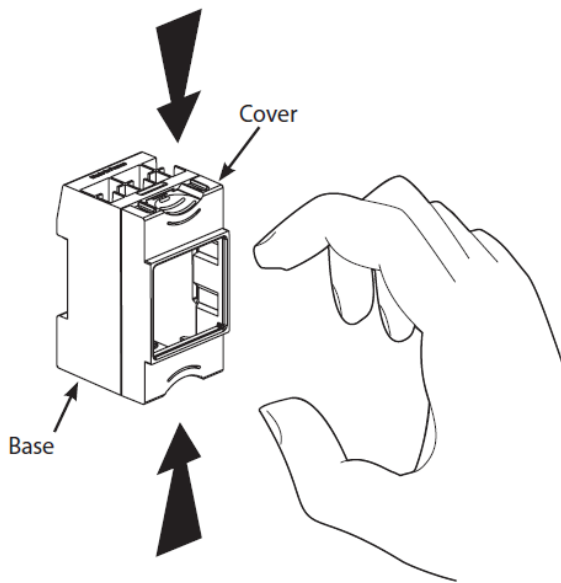
On EN 60715 or DIN 35 symmetrical rail

Operating position

Vertical Horizontal Upside down On the side

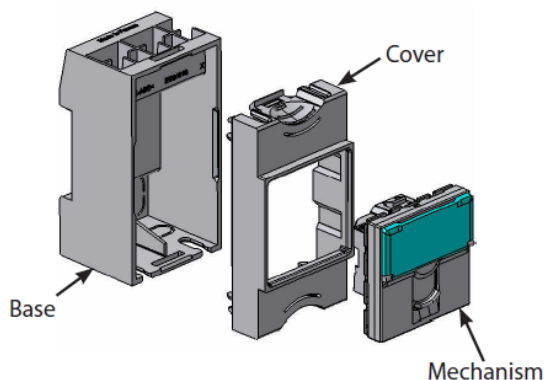


Unclipping the cover from universal support Cat. No. 4 129 50



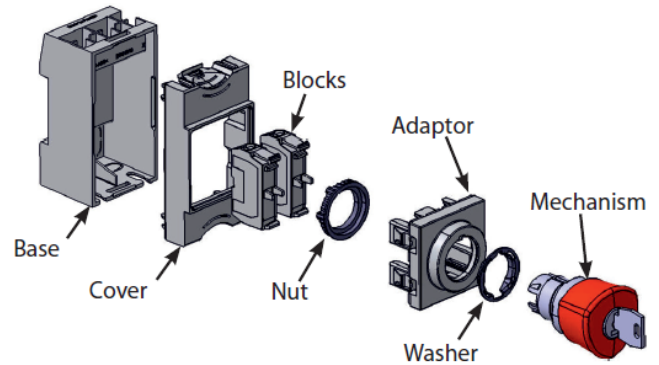
Fitting recommendations for Mosaic™ and Arteur™ mechanisms on universal support Cat. No. 4 129 50

- If necessary, put the cable(s) through a knockout
- Put the cable(s) through the opening in the cover
- Wire the mechanism
- Clip the mechanism on the cover
- Clip the assembly on the base



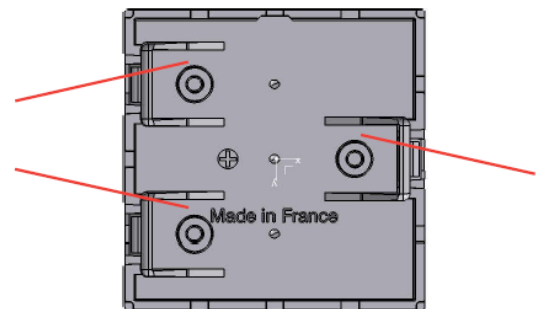
Assembling recommendations for the Osmoz™ adaptor Cat. No. 4 129 51

- Place the washer on the mechanism
- Fit the assembly on the adaptor
- Screw the nut onto the mechanism
- Fit the blocks on the adaptor
- If necessary, insert the cable(s) through a knockout
- Insert the cable(s) through the opening in the cover
- Wire the block(s)
- Clip the mechanism + adaptor assembly onto the cover
- Clip the assembly onto the base

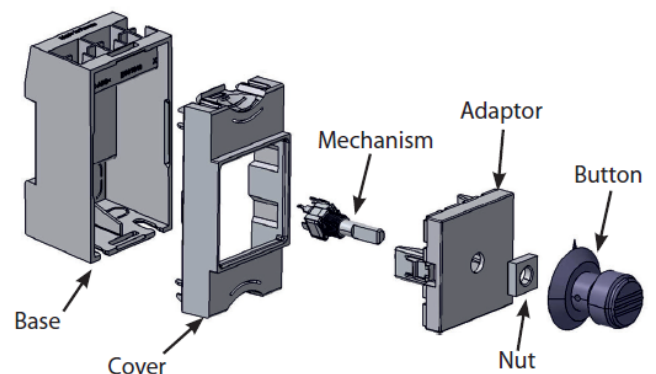


Assembling recommendations for the solid adaptor Cat. No. 4 129 52

- Drill a hole of the required diameter in the adaptor (it is possible to remove the 3 screw recesses if they are in the way).



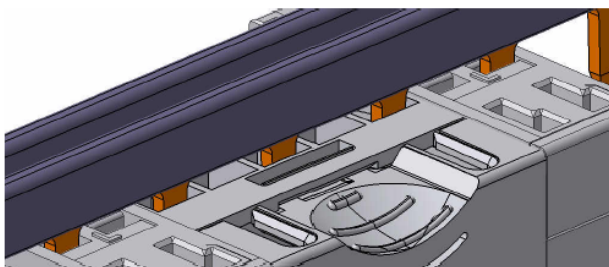
- Insert the mechanism
- Screw the nut on the mechanism
- Fit the button on the mechanism
- If necessary, insert the cable(s) through a knockout
- Insert the cable(s) through the opening in the cover
- Wire the mechanism
- Clip the mechanism + adaptor assembly on the cover
- Clip the assembly on the base



5. CONNECTION

Inserting supply busbars Cat. No. 4 049 26

Holes are provided for inserting the prong-type busbar. It is not necessary to cut the prongs of the supply busbar to mix these functions with DX³ circuit breakers or other modular products.



6. GENERAL FEATURES

Materials

	4 129 50	4 129 51	4 129 52
Material	Polycarbonate + Acrylonitrile Butadiene Styrene	Polycarbonate	Acrylonitrile Butadiene Styrene
Colour	Grey RAL 735		
Self-extinguishing	750°C	750°C	650°C
Impact resistance	IK05	IK04	IK04
Index of protection	IP2X (assembled with Mosaic or Artéor mechanisms and Osmoz adaptors)		

Ambient temperatures

	4 129 50	4 129 51	4 129 52
Operation	-25°C to +70°C		
Storage	-25°C to +70°C		

7. MAINTENANCE

Clean the surface with a cloth.
Do not use: acetone, tar-removing cleaning agents or trichloroethylene.

8. COMPLIANCE AND APPROVALS

Plastic materials

Zero-halogen plastic materials

Respect for the environment - Compliance with European Union Directives

Compliance with Directive 22002/95/EC of 27/01/03 known as "RoHS" which provides for a restriction on the use of hazardous substances such as lead, mercury, cadmium, hexavalent chromium and polybrominated biphenyl (PBB) and polybrominated diphenyl ether (PBDE) brominated flame retardants from 1st July 2006

Compliance with Directive 91/338/EC of 18/06/91 and decree 94-647 of 27/07/04

Packaging

Design and manufacture of packaging compliant with decree 98-638 of 20/07/98 and Directive 94/62/EC

9. EQUIPMENT

DX³ modular universal support Cat. No. 4 129 50 for Mosaic™ and Arteor™ programmes

A Mosaic™ or Arteor™ mechanism is compatible with universal support 4 129 50 if it has the following wiring:

- Up to 6 x 0.5 mm²
- Up to 6 x 1.5 mm²
- Up to 6 x 2.5 mm²
- AWG 22 to 25
- AWG 26

The following are some examples of compatible Mosaic™ mechanisms:

- 0 765 xx: RJ45 LCS², 1 and 2 modules
- 0 775 xx: 230 V USB socket outlet, 1 and 2 modules
- 0 784 25: Programmable time switch
- 0 785 20: Illuminated sign with white LEDs
- 0 771 11: Straight 2P+E socket
- 0 767 20: Electronic room thermostat
- Etc.

The following are some examples of compatible Arteor™ mechanisms:

- 5 72x xx: RJ45 LCS², 1 and 2 modules
- 5 72x xx: Roller blind control
- 0 721 xx: Swiss standard 2P+E socket, 1 and 2 modules
- 5 722 03: Electronic room thermostat
- Etc.

Adaptor Cat. No. 4 129 51 for Osmoz™

Most Osmoz™ mechanisms are compatible with adaptor 4 129 51

The following are some examples of compatible mechanisms:

- 0 238 00/01/...: Non-illuminated spring return heads
- 0 238 41/42/...: Non-illuminated push-push heads
- 0 239 05/06/...: Non-illuminated selector switches
- 0 238 72/74/...: Non-illuminated stay-put mushroom head
- 0 241 20/21/...: One-piece pilot lights
- Etc.

Some Osmoz™ mechanisms with the following characteristics are not compatible with adaptor 4 129 51:

- Illuminated versions
- Twin touch heads
- "Super-flush" heads
- Location of the positioning slot in relation to the block support area:

Not compatible with 4 129 51



Compatible with 4 129 51

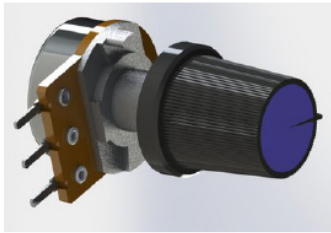


Solid adaptor Cat. No. 4 129 52

For integrating non-modular mechanisms or products on a DIN rail.

The following are some examples of compatible mechanisms:

- Rotary potentiometer, fixed using nuts



- SCRJ connector



- Etc.

A mechanism is not compatible with adaptor 4 129 52 if:

- Its drilling diameter is greater than 22.5 mm
- The mechanism impedes the fitting of the cover (or the faceplate) on the cabinet (or enclosure)

Installation software

XL PRO³