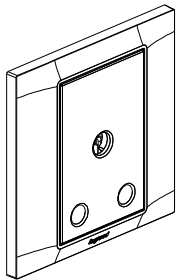
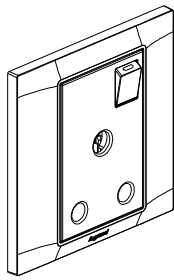


Belanko™ S 15A Sockets

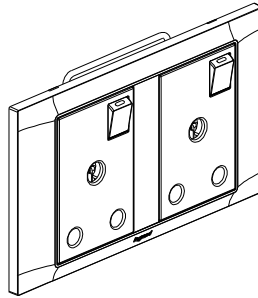
Cat. No(s): 6 17X 50/51/52/53



6 17X 50



6 17X 51/52



6 17X 53

CONTENTS

1. Use.....	1
2. Range.....	1
3. Preparation.....	1
4. Overall dimensions.....	1
5. Connection.....	2
6. Technical characteristics.....	2
7. Cleaning.....	2
8. Conformity - Approvals.....	2

1. USE

15A socket outlets designed to accept BS 15A plugs.
(Supplied with M3.5 screws for BS boxes. Flush mounting or surface mounting.)

2. RANGE

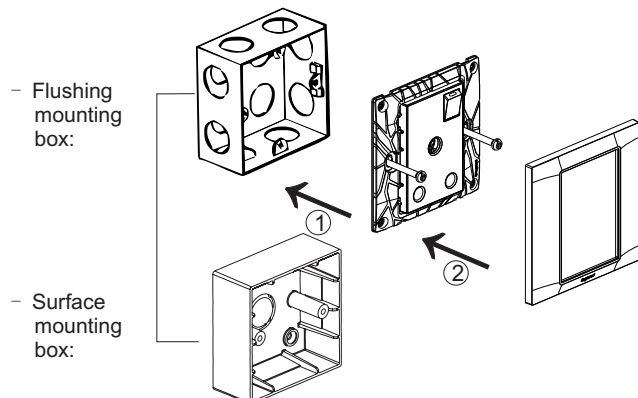
	Designation	Cat. No.	Weight(g)
	1G BS 15A UNSWITCHED SOCKET	6 17X 50	91.3
	1G BS 15A SP SWTD SOCKET	6 17X 51	93
	1G BS 15A SP SWTD + NEON	6 17X 52	93.9
	2G BS 15A SP SWITCHED	6 17X 53	184

Colours

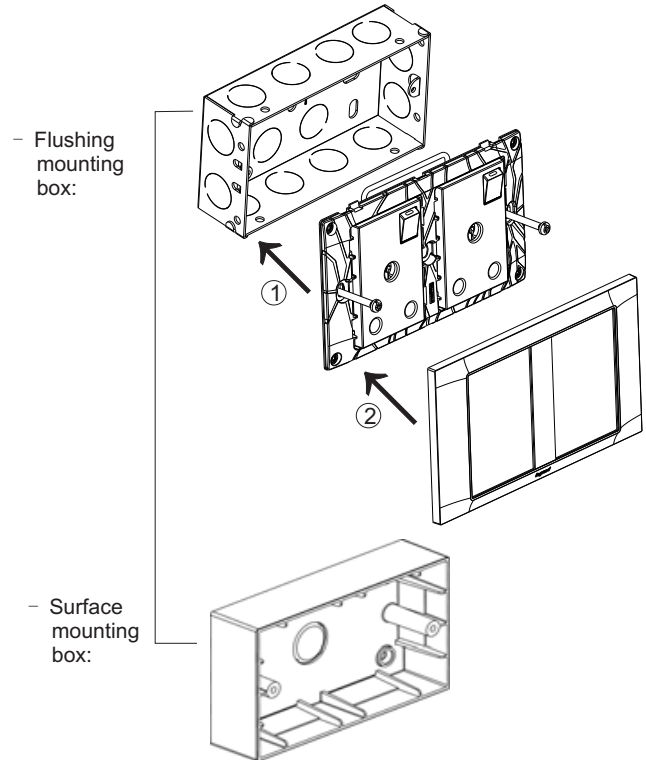
-Front: white/anthracite/ivory
-Rear: grey
6 176 XX White
6 177 XX Anthracite
6 178 XX Ivory

3. PREPARATION

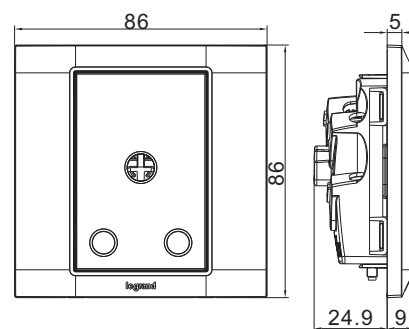
3.1 Preparation for 1G sockets



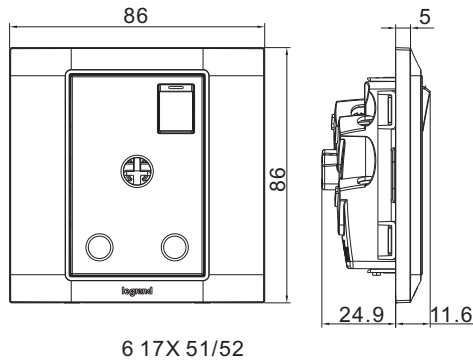
3.2 Preparation for 2G sockets



4. OVERALL DIMENSIONS

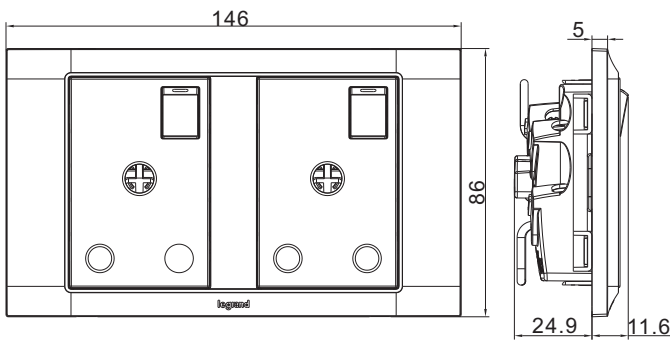


6 17X 50



6 17X 51/52

Profile Size: 86 × 86 mm
Distance of installation hole: 60.3 mm
Minimum depth of the box > 35 mm



6 17X 53

Profile Size: 146 × 86 mm
Distance of installation hole: 120.6 mm
Minimum depth of the box > 35 mm

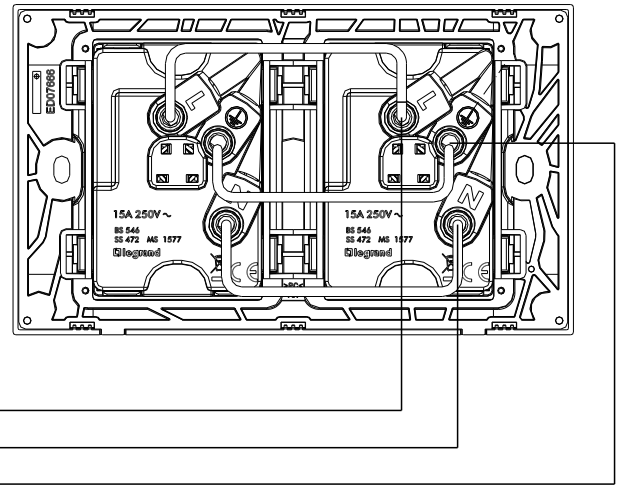
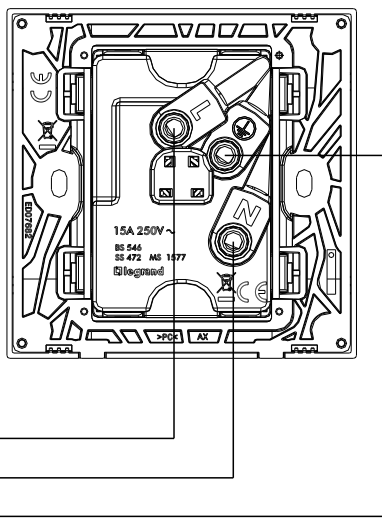
5. CONNECTION

5.1 Terminals

The type of Terminals : pillar terminal
Terminal capacity: 3 × 2.5 mm²
2 × 4 mm²
1 × 6 mm²

Recommended screwdriver size: < 4 mm flat blade
Recommended stripping length: 12 mm
Recommended terminal tightening torque: 0.5 Nm

5.2 Circuit diagrams



6. TECHNICAL CHARACTERISTICS

6.1 Material characteristics

Rocker: Polycarbonate
Frame: Polycarbonate
Base: PP
Self-extinguishing:
+ 850° C / 30 s for insulating parts holding live parts in place
+ 650° C / 30 s for other parts made of insulating materials

6.2 Electrical characteristics

Voltage: 250V~
Current: 15A

6.3 Climatic characteristics

Storage temperatures: -10°C to +70°C
Operating temperatures: -5°C to +50°C

6.4 Mechanical characteristics

Impact test: IK04
Protection against solids & liquids: Ip20

7. CLEANING

Surface cleaning with a soft, slightly damp cloth.
Do not use: acetone, tar remover, trichloroethylene

8. CONFORMITY - APPROVALS

Conform to BS 546 ; MS 1577 ; SS472.