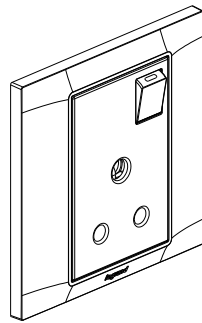


Belanko™ S 5A Socket

Cat. No(s): 6 17X 54



6 17X 54

CONTENTS

1. Use.....	1
2. Range.....	1
3. Preparation.....	1
4. Overall dimensions.....	1
5. Connection.....	1
6. Technical characteristics.....	2
7. Cleaning.....	2
8. Conformity - Approvals.....	2

1. USE

Switched socket outlets designed for 5A plugs.
(Supplied with M3.5 screws for BS boxes. Flush mounting or surface mounting.)

2. RANGE

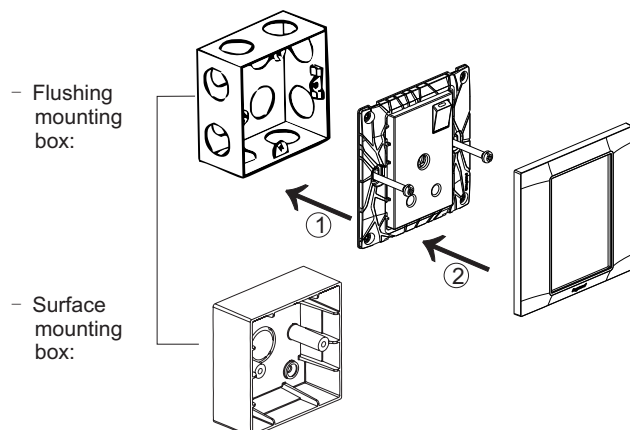
	Designation	Cat. No.	Weight(g)
	1G BS 5A SWITCHED SOCKET	6 17X 54	74.2

Colours

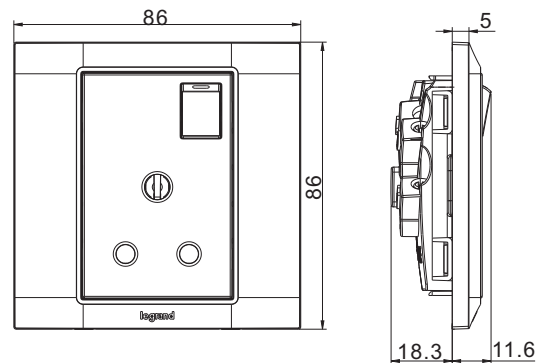
- Front: white/anthracite/ivory
- Rear: grey
- 6 176 54 White
- 6 177 54 Anthracite
- 6 178 54 Ivory

3. PREPARATION

3.1 General preparation



4. OVERALL DIMENSIONS



Profile Size: 86 × 86mm
Distance of installation hole: 60.3 mm
Minimum depth of the box > 35 mm

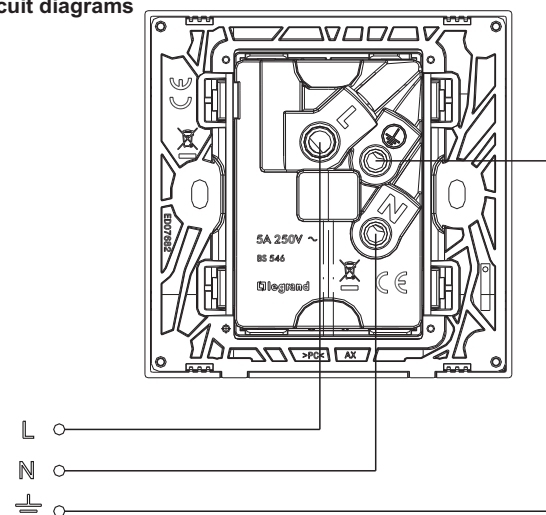
5. CONNECTION

5.1 Terminals

The type of Terminals : pillar terminal
Terminal capacity: 3 × 2.5 mm²
2 × 4 mm²
1 × 6 mm²

Recommended screwdriver size: < 4 mm flat blade
Recommended stripping length: 12 mm
Recommended terminal tightening torque: 0.5Nm

5.2 Circuit diagrams



6. TECHNICAL CHARACTERISTICS

6.1 Material characteristics

Rocker: Polycarbonate
Frame: Polycarbonate
Base: PP
Self-extinguishing:
+ 850° C / 30 s for insulating parts holding live parts in place
+ 650° C / 30 s for other parts made of insulating materials

6.2 Electrical characteristics

Voltage: 250V~
Current: 5A

6.3 Climatic characteristics

Storage temperatures: -10°C to +70°C
Operating temperatures: -5°C to +50°C

6.4 Mechanical characteristics

Impact test: IK04
Protection against solids & liquids: IP20

7. CLEANING

Surface cleaning with a soft, slightly damp cloth.
Do not use: acetone, tar remover, trichloroethylene

8. CONFORMITY - APPROVALS

Conform to BS 548.