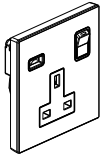
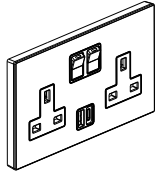


# Galion™ 13A BS socket with USB

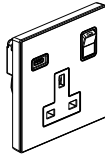
Cat. No(s): 2 824 41/41m/43/82/83  
K8/426/13/U-HK  
K8/15/13/U-HK



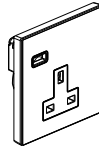
2 824 41/41m  
K8/15/13/U-HK



2 824 43



2 824 83



K8/426/13/U-HK  
2 824 82

## CONTENTS

1. Use.....	1
2. Range.....	1
3. Preparation.....	1
4. Overall dimensions.....	2
5. Connection.....	2
6. Operation.....	2
7. Technical characteristics.....	2
8. Cleaning.....	3
9. Conformity - Approvals.....	3

## 1. USE

Sockets with USB chargers for recharging portables devices such as smartphones, tablets, powerbanks, etc.  
(Supplied with M3.5 screws for BS boxes. Flush mounting or Surface mounting.)

## 2. RANGE

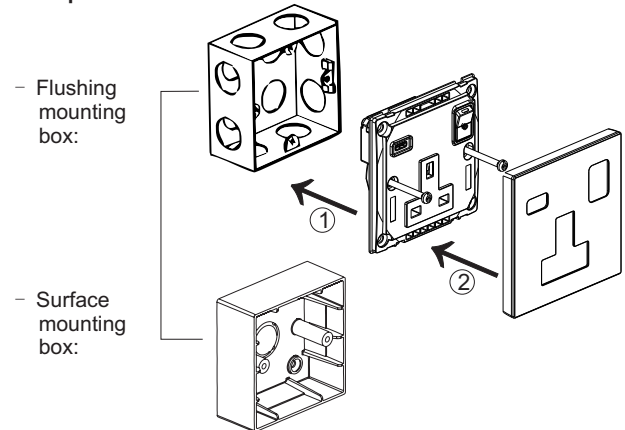
	Designation	Cat. No.	Weight (g)
	1G BS Switched Socket with 1 USB Type A charger	2 824 41/41m K8/15/13/U-HK	119
	1G BS Socket with 1 USB charger	K8/426/13/U-HK 2 824 82	95
	2G BS 13A SP Switched socket with USB A+C charger	2 824 43	161.5
	1G BS 13A SWT socket+ USB Type C charger	2 842 83	119

## Colours

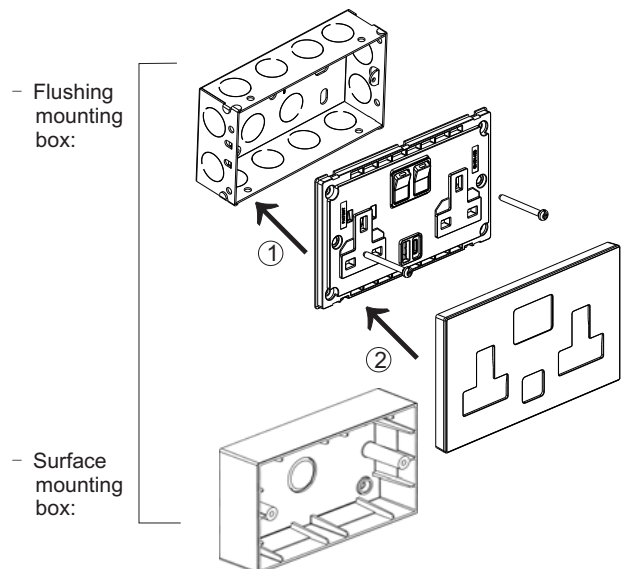
- Front: white/rose golden/champagne/dark silver
- Rear: white/rose golden/champagne/dark silver
- X XXX XX White
- X XXX XX-C Matt black
- X XXX XX-C1 Rose golden
- X XXX XX-C2 Champagne
- X XXX XX-C3 Dark silver

## 3. PREPARATION

### 3.1 Preparation for 1G socket



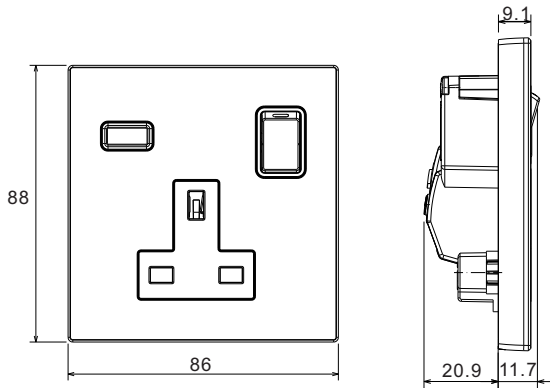
### 3.2 Preparation for 2G socket



# Galion™ 13A BS socket with USB

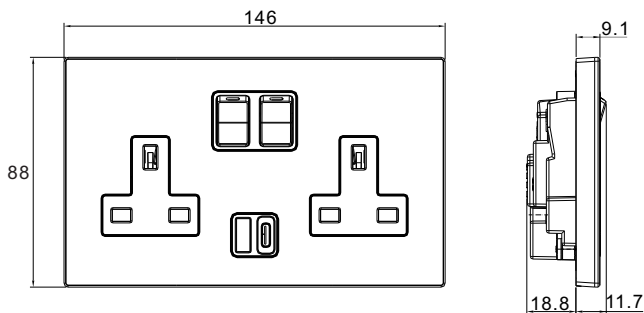
Cat. No(s): 2 824 41/41m/43/82/83  
K8/426/13/U-HK  
K8/15/13/U-HK

## 4. OVERALL DIMENSIONS



BS 13A Socket with USB

Profile Size: 86×88 mm  
Distance of installation hole: 60.3 mm



2G BS 13A SP Switched socket with USB A+C charger

Profile Size: 146×88 mm  
Distance of installation hole: 120.6 mm

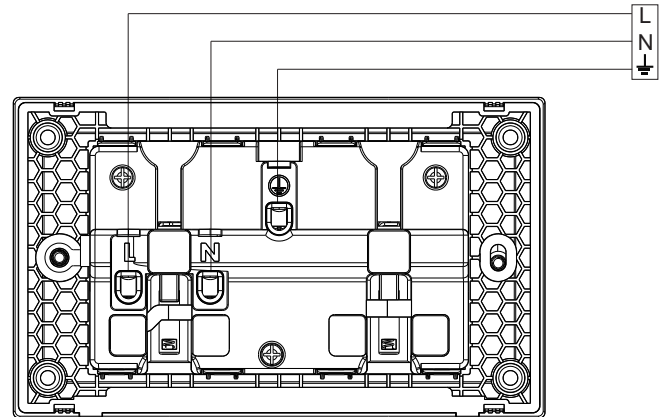
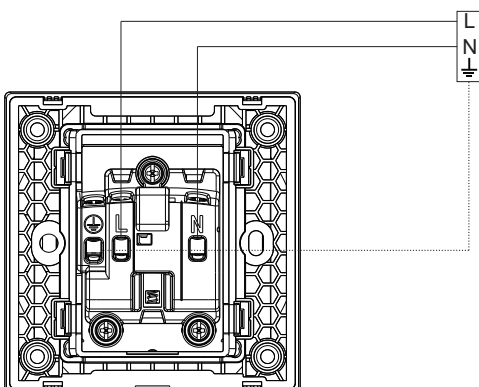
## 5. CONNECTION

### 5.1 Terminals

The type of Terminals : pillar terminal  
Terminal capacity: 3 × 1 mm<sup>2</sup>  
3 × 1.5 mm<sup>2</sup>  
2 × 2.5 mm<sup>2</sup>  
1 × 4 mm<sup>2</sup>  
1 × 6 mm<sup>2</sup>

Recommended screwdriver size: 4 mm flat blade  
Recommended stripping length: 12 mm

### 5.2 Circuit diagrams



## 6. OPERATION

Standard operation by insertion or withdrawal of a plug to normalized standard.

## 7. TECHNICAL CHARACTERISTICS

### 7.1 Material characteristics

Rocker: Polycarbonate  
Frame: Polycarbonate  
Base: Polyamide  
Self-extinguishing:  
+ 850° C / 30 s for insulating parts holding live parts in place  
+ 650° C / 30 s for other parts made of insulating materials

### 7.2 Electrical characteristics

Voltage: 250VAC  
Current: 13A

### 7.3 USB output

All values listed below are measured at an ambient temperature of +25° and after 15minutes of operation.

Type	1 USB (Type A)	1 USB (Type C)	2 USB (Type A+C)
Nominal input voltage	220-240V~	100-240V~	220-240V~
Nominal input frequency	50-60 Hz		
Power consumption	12 W	15 W	15 W
Maximum input current	300 mA	500 mA	300 mA
Maximum power consumption in standby	0.075 W		
Power average efficiency	79.94%	81.39%	81.39%
Nominal output voltage	5V---		
Maximum output current	2.4A	3.0 A	3.0 A*

No-load consumption and average energy efficiency: Level VI\*\*

Protection class II - Low voltage

\*Note: shared on A and C output

**Galion™**  
**13A BS socket with USB**

Cat. No(s): 2 824 41/41m/43/82/83  
K8/426/13/U-HK  
K8/15/13/U-HK

**7.4 Climatic characteristics**

Storage temperatures: -10°C to +70°C  
Operating temperatures: -5°C to +50°C

**7.5 Mechanical characteristics**

Impact test: IK04  
Protection against liquids: IP20

**8. CLEANING**

Surface cleaning with a soft, slightly damp cloth.  
Do not use: acetone, tar remover, trichloroethylene

**9. CONFORMITY - APPROVALS**

282441, 282443, 282482, 282483, K8/426/13/U-HK, K8/15/13/U-HK  
conform to IEC 60884-2-3; IEC 60884-1; BS 1363-2.

USB chargers conform to IEC 62368-1.