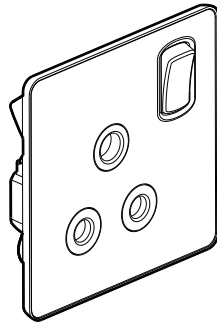


Synergy™ Socket outlets 15 A - Sleek design

Cat. No(s): 8 320 89 - 8 322 89 - 8 324 89



1. USE

British standard single pole socket outlets, switched, complete delivered, with compact mechanisms for maximum wiring space and sleek design front plates.

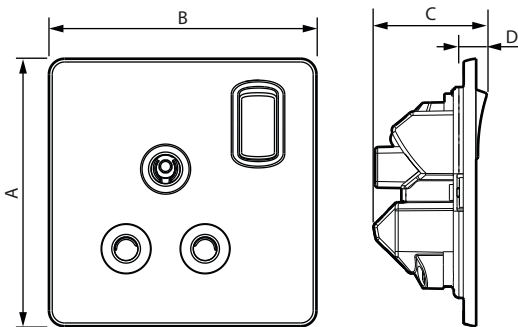
For flush-mounting, back box to be min. 35 mm deep.
 3 pins safety shutter.
 Fixing with screws.

2. RANGE

One-gang switched socket outlet

8 320 89	● Brushed stainless steel
8 322 89	● Polished stainless steel
8 324 89	● Glossy gold

3. OVERALL DIMENSIONS (mm)



Cat. Nos	A	B	C	D
8 32x 89	86	86	36.5	8

4. CONNECTION

Type of terminals : with screws
 Terminal capacity: 3 x 2.5 mm² - 3 x 4 mm² - 2 x 6 mm²
 Stripping length: 12 mm
 Compatible with flexible or rigid cables.

5. TECHNICAL CHARACTERISTICS

■ 5.1 Mechanical characteristics

Impact tests: IK 01
 Penetration by solid bodies/liquids: IP 20

■ 5.2 Material characteristics

Rocker and plate:
 - BSS: austenitic Brushed Stainless Steel - non magnetic - grade 304 L
 - PSS: Polished Stainless Steel + rust resistance
 - GG: Stainless Steel + rust resistance
 Mechanism housing: PC
 Halogen free
 UV resistant

Self-extinguishing:

+ 850° C / 30 s for insulating parts holding live parts in place.
 + 650° C / 30 s for other parts made of insulating materials.

■ 5.3 Electrical characteristics

Voltage: 250 V~
 Current: 15 A
 Frequency: 50/60 Hz

■ 5.4 Climatic characteristics

Storage temperature: - 10° C to + 70° C
 Use temperature: - 5° C to + 35° C

6. CLEANING

Clean the surface with a cloth.
 Do not use acetone, tar-removing cleaning agents or trichloroethylene.
 Resistance to the following cleaning substances:
 Hexane (EN 60669-1), Methylated spirit, Soapy water, Diluted ammonia, Diluted pure bleach 10%, Glass cleaning product.

Caution: An initial test is required for the use of other special maintenance products.

7. STANDARDS AND APPROVALS

Compliance with standards of installation and manufacturing.
 See e.catalogue.