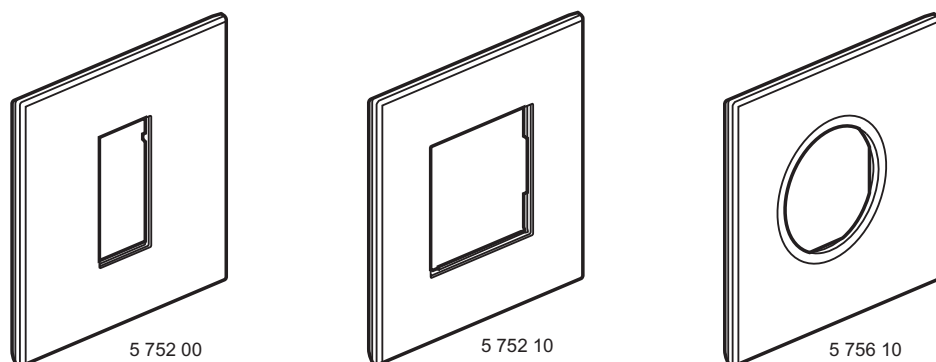


Arteor™ White plates for british standard

Cat. No(s): 5 750 70/80/90 - 5 751 00/20/30/40/50/60
5 752 00/10 - 5 753 70
5 755 40/50/60 - 5 756 10



CONTENTS	Page
1. Use.....	1
2. Range.....	1-2
3. Overall dimensions.....	2
4. Mounting.....	3
5. Technical characteristics.....	3
6. Cleaning.....	3
7. Special use.....	3

1. USE

Plates for covering mechanisms.

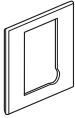
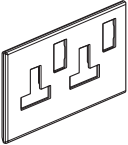
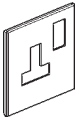
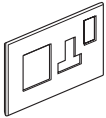
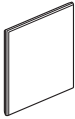
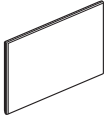
2. RANGE

	Designation	Cat. No.	Number of modules	Fixing method	Weight (g)
	1 module plate square 1 gang	5 752 00	1	with clips	26.4
	2 modules plate square 1 gang	5 752 10	2	with clips	22
	2 modules plate round 1 gang	5 756 10	2	with clips	27.9
	3 modules plate square (horizontal & vertical mounting) 1 gang	5 751 60	3	with clips	23.6
	3 modules plate round (horizontal & vertical mounting) 1 gang	5 755 60	3	with clips	24.5
	3 modules plate square 2 gang	5 750 70	3	with clips	38.1
	3 modules plate round 2 gang (frame included)	5 755 40	3	with clips	65.6
	2 x 2 modules plate square 2 gang	5 750 80	2 x 2	with clips	35.2
	2 x 2 modules plate round 2 gang	5 755 50	2 x 2	with clips	36.8
	6 modules plate square (frame included)	5 753 70	6	with clips	86.4

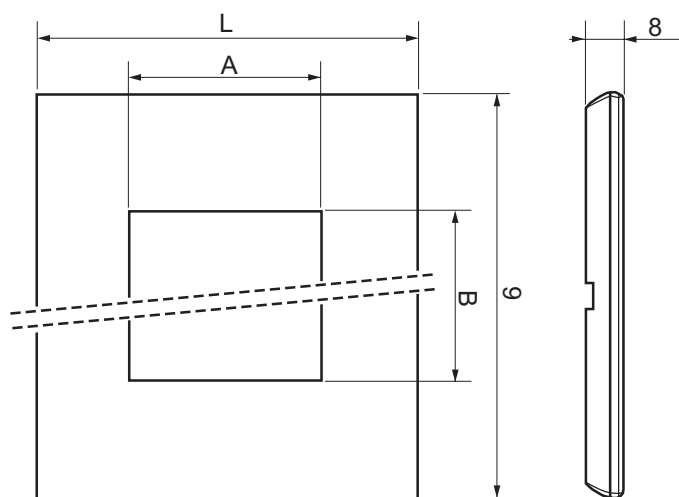
Arteor™ White plates for british standard

Cat. No(s): 5 750 70/80/90 - 5 751 00/20/30/40/50/60
5 752 00/10 - 5 753 70
5 755 40/50/60 - 5 756 10

2. RANGE (continued)

	Designation	Cat. No.	Number of modules	Fixing method	Weight (g)
	Plate for 13 A fused connecting unit 1 gang	5 751 20		with clips	24
	Plate for 13 A twin switched socket outlet 2 gang	5 751 00		with clips	42
	Plate for 5 A and 13 A switched socket outlet 1 gang	5 750 90		with clips	28
	Plate for cocker unit 2 gang	5 751 50		with clips	56
	Blanking cover plate 1 gang	5 751 30		with clips	25
	Blanking cover plate 2 gang	5 751 40		with clips	41.2

3. OVERALL DIMENSIONS



3. OVERALL DIMENSIONS (continued)

Cat. No.	L1	L2	A	B	
5 750 70	157	92	68	45.4	
5 750 80			2 x 45.4	2 x 45.4	
5 750 90	92				
5 751 00	157				
5 751 20	92				
5 751 30					
5 751 40	157				
5 751 50			1 x 45.4	1 x 45.4	
5 751 60	92			45.4	68
5 752 00				22.8	45.4
5 752 10				45.4	45.4
5 753 70	237.5			135.8	45.4
5 755 40	157		68	45	
5 755 50			2 x Ø 45.4		
5 755 60	92		45	68	
5 756 10			Ø 45.4		

White plates for british standard

4. MOUNTING

The plates clip on in notches onto screw-type or claw-type mounting supports (notches are used for thickness compensation. E.g: wall paper). Easy to remove with a screwdriver.
No flatness defect of more than 1.5 mm in a periphery of 10 cm around the installed flush box.
Protection film must be removed only once site work is fully completed.

5. TECHNICAL CHARACTERISTICS

5.1 Mechanical characteristics

Impact tests: IK 04

5.2 Material characteristics

Front plate: polycarbonate
Under plate: polycarbonate

5.3 Climatic characteristics

Storage temperatures: - 10° C to + 70° C
Operating temperatures: - 5° C to + 50° C

6. CLEANING

Surface cleaning with a cloth.
Do not use: acetone, tar remover, trichloroethylene.

6.1 Resistance to cleaning agents

Hexane (EN 60669-1), methylated spirits, soapy water, glass cleaning substance.

6.2 Resistance to hospital-type cleaning agents

Resistance to the following agents: Anios, Surfanios, Bactylisine, Hydrogen peroxyde (30%).

7. SPECIAL USE

Arteor plates must not be painted.