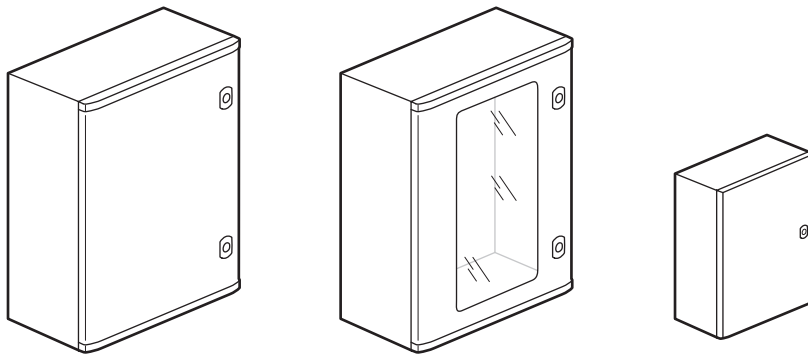


Marina cabinets

Cat. No(s): **0 362 50/51/52/55/56/61/63/64**
0 362 71/72/75/76/81/83/84
0 362 40/42/44, 0 364 08/09, 0 365 13



CONTENTS	Page
1. General characteristics	1
2. Range	1
3. Technical characteristics.....	1
4. Heat dissipation capacity.....	3
5. Dimensions	3
6. Equipments.....	5
7. Fixing.....	7
8. Accessories	8

1. GENERAL CHARACTERISTICS

Grey polyester cabinets RAL 7035, IP 66 - IK 10⁽¹⁾ - Classe II, particularly suited to corrosive environments.

Direct mounting of equipment at back of cabinet.

Possible to fit a partial plate (cabinets height \geq 500 mm) and/or rails (cabinets height \geq 400 mm) on intermediate fixing points..

Optional:

- Equipments depth adjustment (cabinet height \geq 400 mm),
- Horizontal or vertical coupling (cabinet height \geq 500 mm),
- Reinforced protection with roof (cabinet height \geq 700 mm),
- Up to 7 solutions for cabinet mounting (with brackets, on base, on stand, etc...)

2. RANGE

Cat. No(s)		Dimensions Height x Width x Depth (mm)	
With plane door	With glass door	Overall	Corresponding metal cabinets
0 362 50		300 x 220 x 160	300 x 200 x 160
0 362 51	0 362 71	400 x 300 x 206	400 x 300 x 200
0 362 52	0 362 72	500 x 400 x 206	500 x 400 x 200
0 362 55	0 362 75	610 x 400 x 257	600 x 400 x 250
0 362 56	0 362 76	720 x 510 x 250	700 x 500 x 250
0 362 61	0 362 81	820 x 610 x 300	800 x 600 x 300
0 362 63	0 362 83	1020 x 810 x 300	1000 x 800 x 300
0 362 64	0 362 84	1220 x 810 x 300	1200 x 800 x 300

3. TECHNICAL CHARACTERISTICS

■ 3.1 Framework

- Fibreglass filled polyester resin RAL 7035 (SMC), heat polymerised,
- One-piece body, without cable entries,
- Brass fixing inserts (only supplied with Cat. No. 0 362 50),
- Top and bottom protective flange (except Cat. No 0 362 50),
- Reversible door with captive pin (except Cat. No 0 362 50) in stainless steel, opening 180° (130° for Cat. No 0 362 50),
- Two-point closure with two plastic double bar locks (one bolt for Cat. No 0 362 50) with interchangeable barrel,
- Polyurethane seal,
- Tinted tempered glass door.

(1) IK 09 for cabinet height 300 mm.

3. TECHNICAL CHARACTERISTICS (continued)

■ 3.2 Protection index, insulation class

- IP 66 according to IEC EN 60529: totally protected against dust and totally protected against jets of water of similar force to heavy seas,
- IK 10 according to IEC EN 62262: protected against mechanical impacts of 20 joules (IK 09 = 10 joules for Cat. No 0 362 50),
- Conform to IEC EN 62208,
- Classe II: allow for the production of assemblies in total insulation according to IEC EN 61439-1,
- Isolation voltage 1000 V.

■ 3.3 Mechanical resistance

- Maximum load: 500 kg / m³,
- Maximum load on door:

Cabinet height (mm)	Applicable load (kg)
300	2
400	5
500	8
600	11
700	15
800	20
1000	25
1200	25

- Maximum static load with 4 fixing brackets:
 - Cat. No 364 08 (for cabinets height 300 mm) : 100 kg,
 - Cat. No 364 09 (for cabinets height M 400 mm) : 150 kg,
- Insert resistance: axial wrenching > 250 kg (by insert)
- Fixing with stand Cat. No 364 36/37 conform to EN 50125-3 (railway applications, permanent installations).

3. TECHNICAL CHARACTERISTICS (continued)

■ 3.4 Resistance to climatic conditions

- Operating temperature: - 40°C to + 85°C (+ 100°C at peak),
- Relative humidity of 4 to 100 %,
- For the event of temperatures below freezing point, to facilitate the opening of the door, the application of a vaseline or silicon based product on the door seal is recommended. To avoid condensation caused by temperature variations inside the enclosure, provide for heat regulation.
- Salt spray according to ISO 9227 (NSS test) and IEC EN 60068-2-11 (Ka test): 1500 hours,
- Sulphur dioxide with condensation according to EN ISO 6988: 500 hours,
- Ultraviolet resistance (UV): exposure 240 hours according to EN ISO 4892-2 (A method) with iE < 2.5 (colorimetric variation).

■ 3.5 Fire behaviour

- Glow wire resistance according to IEC EN 60695-2-11: 960°C,
- Limited oxygen index (LOI) according to EN ISO 4589 / ASTM D 2863: 22 %,
- Without halogens.

■ 3.6 Resistance to chemical agents

Resistant to ambient temperature compared to exposure risk spraying.

- ++ : Excellent resistance (continuous exposure)
- + : Good resistance (prolonged exposure)
- : Limited resistance (possible momentary exposure)
- : Weak resistance (exposure to be avoided)

Aqueous solutions	Cold water	++
	Hot water	+
	Vapor	-
	Saltwater 5 %	+
	Hydrogen peroxide	-
	Water + detergent	+
	Water + surfactants	+
	Aldehyde	-
Alcohols	Ethanol	+
	Methyl alcohol	+
	Propanol	+
	Butanol	+
Glycols	Ethylene glycol	+
Carbolic		-
Cresols		-
Bases	Ammonia	+
	Sodium hydroxide	+
	Sodium hypochlorite	+
	Potassium hydroxide	+
Strong oxidant acids	Acetic acid	+
	Nitric acid 5 %	+
	Sulfuric acid 30 %	+
	Muriatic acid 30 %	+
	Perchloric acid 70 %	++
	Hydrofluoric acid 70 %	--
	Chromic acid 50 %	-
	Phosphoric acid 30 %	+
Weak acids	Diluted acetic acid < 25 %	+
	Citric acid	++
	Lactic acid	++
	Formic acid	+
	Uric acid	+

3. TECHNICAL CHARACTERISTICS (continued)

■ 3.6 Resistance to chemical agents (continued)

Oils and greases	From of animal origins	Lard	++
		Butter and cream	++
	From of vegetable origins	Linseed oil	++
		Peanut and olive	++
		Castor oil	++
		Glycerin	+
	From of mineral origins	Paraffin	++
		Engin oil	+
		Silicon oil	++
		Machine oils	++
	Hydraulic fluid	+	
Hydrocarbons	Unleaded gas	+	
	Diesel oil	++	
	Kerosene	++	
	White spirit	++	
Chlorinated solvents	Trichloroethylene	--	
	Trichloroethane	-	
	Perchloroethylene	--	
	Methylene chloride	--	
	Carbon tetrachloride	--	
	Chloroform	-	
Aromatic solvents	Benzene	+	
	Toluene	-	
	Xylene	+	
Aliphatic solvents	Hexane	++	
	Heptane	++	
Fluoride solvents	Trichlorofluoromethane	--	
Ketones	Acetone	-	
	Methyl ethyl ketone	-	
	Ethyl acetate	-	
Terpenes	Turpentine	-	

■ 3.7 Painting behaviour

After having used sandpaper (grain 400 to 600) and degreasing, Marina cabinets can be painted using a polyurethane component paint.

The application of a bonding primer allows the use of all types of paint.

4. HEAT DISSIPATION CAPACITY

Determined by testing the max. capacity of a cabinet to dissipate heat according to standard IEC 62208-1.

Configuration 1 (C1) :

All outer surfaces of the cabinet are clear and not in contact with anything (floor standing, on stand or frame for example).

Configuration 2 (C2) :

The rear surface is in contact with a wall, all other surfaces are clear (standard case of wall mounting for example).

For other installation configurations, please consult us

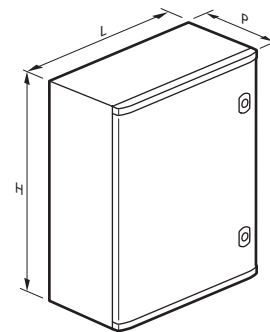
Cat. Nos.	Dimensions H x W x D (mm)	Delta T (K)	Max. power that can be dissipated (W)	Configuration
0 362 50	300 x 200 x 160	40	55	C1
			45	C2
0 362 51	400 x 300 x 200	40	100	C1
			80	C2
0 362 52	500 x 400 x 200	40	140	C1
			110	C2
0 362 55	600 x 400 x 250	40	190	C1
			150	C2
0 362 56	700 x 500 x 250	40	250	C1
			190	C2
0 362 61	800 x 600 x 300	40	350	C1
			270	C2
0 362 63	1000 x 800 x 300	40	520	C1
			380	C2
0 362 64	1200 x 800 x 300	40	600	C1
			440	C2

With glass door

Cat. Nos.	Dimensions H x W x D (mm)	Delta T (K)	Max. power that can be dissipated (W)	Configuration
0 362 71	400 x 300 x 200	40	100	C1
			80	C2
0 362 72	500 x 400 x 200	40	140	C1
			110	C2
0 362 75	600 x 400 x 250	40	190	C1
			150	C2
0 362 76	700 x 500 x 250	40	250	C1
			190	C2
0 362 81	800 x 600 x 300	40	350	C1
			270	C2
0 362 83	1000 x 800 x 300	40	520	C1
			380	C2
0 362 84	1200 x 800 x 300	40	600	C1
			440	C2

5. DIMENSIONS

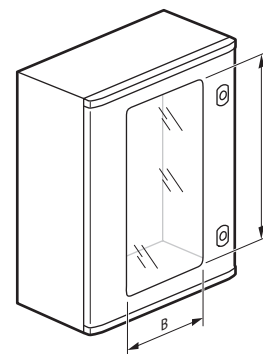
■ 5.1 Overall dimensions/weight



Cat. No.	Overall dimensions H x L x P (mm)	Weight (Kg)	Weight with glass door (kg)
0 362 50	300 x 220 x 160	1,75	-
0 362 51/71	400 x 300 x 206	3,7	4
0 362 52/72	500 x 400 x 206	5,1	5,6
0 362 55/75	610 x 400 x 257	6,4	7
0 362 56/76	720 x 510 x 250	11,2	12,3
0 362 61/81	820 x 610 x 300	15,2	16,7
0 362 63/83	1020 x 810 x 300	21,8	23,9
0 362 64/84	1220 x 810 x 300	25	27,5

■ 5.2 Dimensions for the window (glass door)

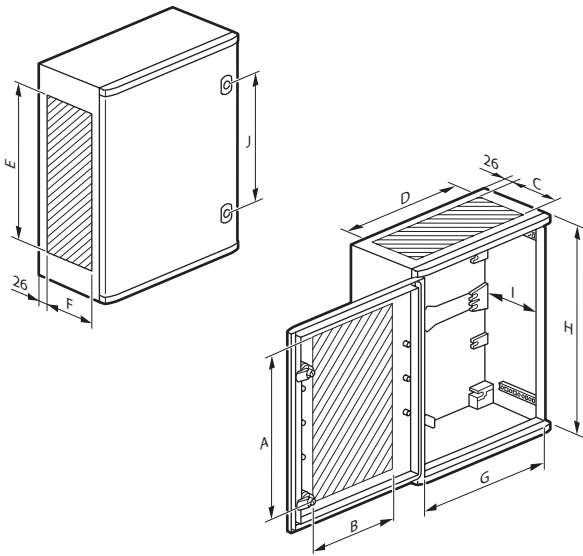
Window centred in height and width.



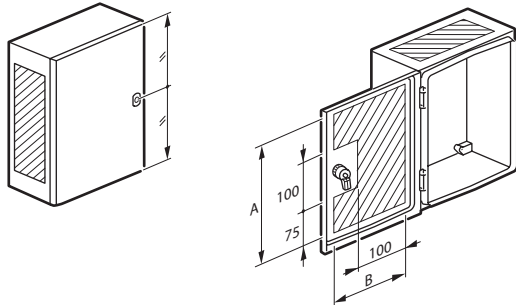
Cat. No.	A (mm)	B (mm)
0 362 71	235	145
0 362 72	335	245
0 362 75	463	245
0 362 76	570	272
0 362 81	672	372
0 362 83	770	495
0 362 84	970	495

5. DIMENSIONS (continued)

■ 5.3 Useable dimensions



Cat. No. 0 362 50



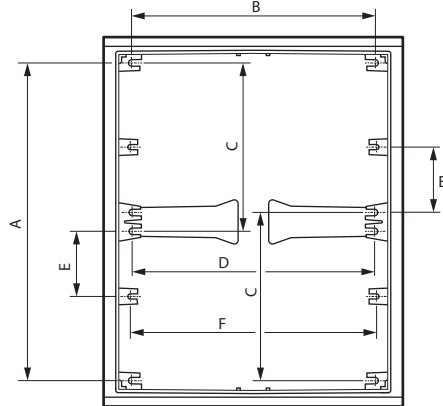
Cat. No.	Useable dimensions (mm)									
	A ⁽¹⁾	B ⁽¹⁾	C	D	E	F	G	H	I _{maxi}	J
0 362 50	250	150	105	195	250	115	194	280	130	-
0 362 51/71	300	180	130	250	260	150	260	350	178	200
0 362 52/72	400	280	130	350	360	150	360	450	178	300
0 362 55/75	500	280	180	350	460	180	360	560	225	400
0 362 56/76	600	340	170	400	560	170	460	662	211	400
0 362 61/81	700	440	220	500	660	230	560	762	261	500
0 362 63/83	900	600	220	700	860	230	760	962	261	580
0 362 64/84	1100	600	220	700	1060	230	960	1162	261	700

(1) Except cabinets with glass door
 Marking every 50 mm (25 mm for Cat. No. 0 362 50) inside the door

Cat. No.	Thickness of wall (indicative dimensions) (mm)		
	Door	Sides	Rear
0 362 50	2,5	2,5	2,5
0 362 51/71	2,7	2,5	3
0 362 52/72	2,7	2,5	3
0 362 55/75	2,7	2,5	3
0 362 56/76	4	3,5	3,5
0 362 61/81	4	3,5	3,5
0 362 63/83	4	3,5	3,5
0 362 64/84	4	3,5	3,5

■ 5.4 Equipment fixing

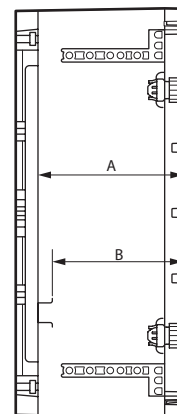
Direct fixing at back of cabinet.
 Intermediate fixing points for partial plate
 (except Cat. No. 0 362 50/51/71) and rails (except Cat. No. 0 362 50).



Cat. No.	Dimensions (mm)					
	A	B	C	D	E	F
0 362 50	263	163	-	-	-	-
0 362 51/71	325	225	125	225	102,5	228,5
0 362 52/72	425	325	225	325	87,5	228,5
0 362 55/75	525	325	325	325	95	328,5
0 362 56/76	625	425	425	425	100	428,5
0 362 61/81	725	525	525	525	100	528,5
0 362 63/83	925	725	725	725	100	728,5
0 362 64/84	1125	725	925	725	100	728,5

■ 5.5 Equipment adjustment

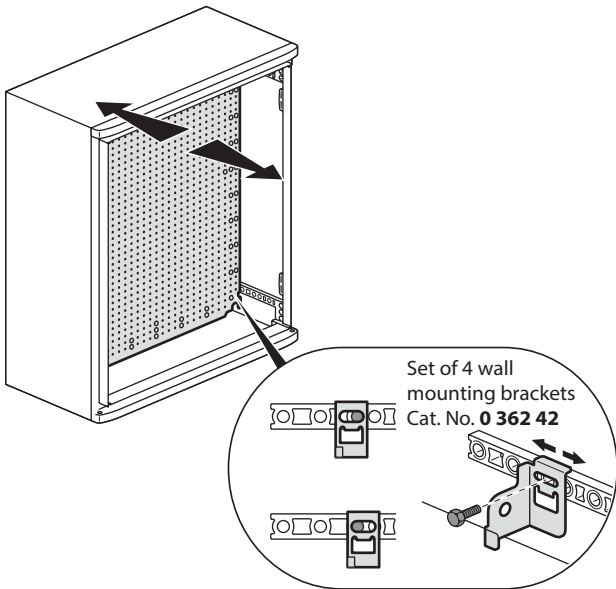
Depth adjustment using kit Cat. No. 0 362 42 (except Cat. No. 0 362 50).



Cat. No.	Total plate (mm)		Chassis with rail (mm)	
	A max	A min with Cat. No 0 362 42)	B max.	B min with Cat. No 0 362 42)
0 362 50	135	-	-	-
0 362 51/71	170	70	155	55
0 362 52/72	170	70	155	55
0 362 55/75	220	70	205	55
0 362 56/76	220	70	205	55
0 362 61/81	270	70	255	55
0 362 63/83	270	70	255	55
0 362 64/84	270	70	255	55

5. DIMENSIONS (continued)

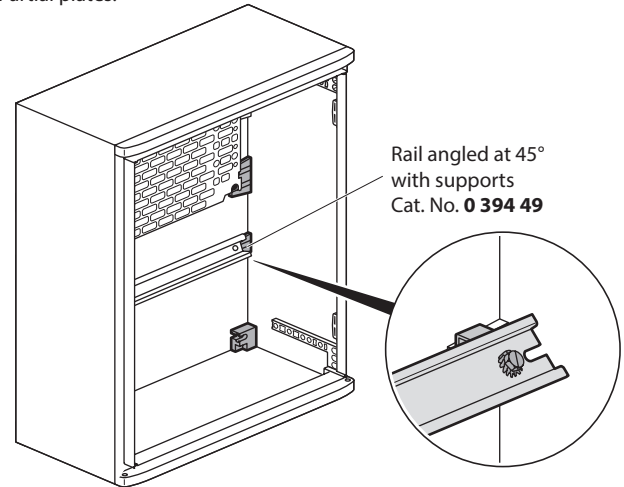
■ 5.5 Equipment adjustment (continued)



6. EQUIPMENTS (continued)

■ 6.1 Plain plates, Lina 12.5, perforated Lina 25 (continued)

- Partial plates:



Example of a cabinet Cat. No. 0 362 52 with partial plate and rail mounted on intermediate studs.

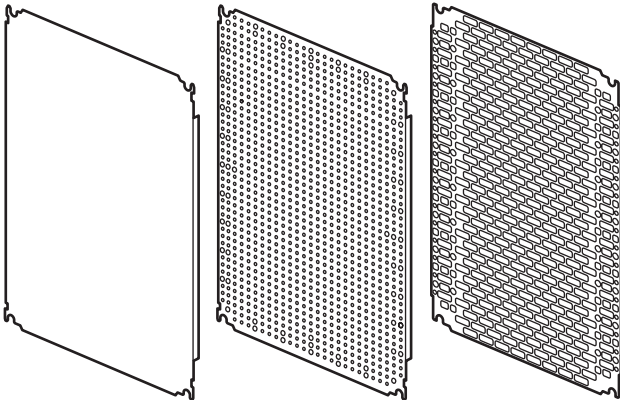
6. EQUIPMENTS

■ 6.1 Plain plates, Lina 12.5, perforated Lina 25

Plain plate

Lina 12.5

Lina 25



- Total plates:

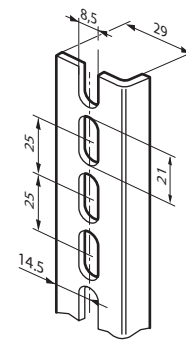
Cabinets		Total plate		
Cat. No.	H x L (mm)	Plain	Lina 12.5	Lina 25
0 362 50	300 x 200	0 360 49	0 360 01	0 360 99
0 362 51/71	400 x 300	0 360 52	0 360 04	0 360 12
0 362 52/72	500 x 400	0 360 55	0 360 09	0 360 15
0 362 55/75	600 x 400	0 360 56	0 360 22	0 360 16
0 362 56/76	700 x 500	0 360 58	0 360 31	0 360 18
0 362 61/81	800 x 600	0 360 59	0 360 33	0 360 19
0 362 63/83	1000 x 800	0 360 61	0 360 42	0 360 21
0 362 64/84	1200 x 800	0 360 64	0 360 46	0 360 87

Cabinets	Plates H x L (mm)	Partial plates		
		Plain	Lina 12.5	Lina 25
0 362 52/72	300 x 400	0 360 52	0 360 04	0 360 11
0 362 55/75	400 x 400	0 360 70	0 360 05	0 360 92
0 362 56/76	500 x 500	0 360 71	0 360 14	0 360 93
0 362 61/81	600 x 600	0 360 57	0 360 24	0 360 17
0 362 63/83	800 x 800	0 360 60	0 360 34	0 360 20
0 362 64/84	1000 x 800	0 360 61	0 360 42	0 360 21

■ 6.2 Sectioned uprights and Lina 25 rails

For chassis production

- Uprights:

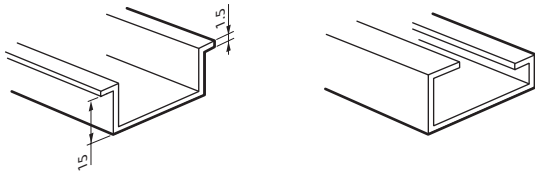




Cabinet		Uprights (set of 2)
Cat. No.	Height (mm)	
0 362 51/71	400	0 361 51
0 362 52/72	500	0 361 52
0 362 55/75	600	0 361 53
0 362 56/76	700	0 361 54
0 362 61/81	800	0 361 55
0 362 63/83	1000	0 361 56
0 362 64/84	1200	0 361 58
3 m to be cut to length		0 361 92

6. EQUIPMENTS (continued)

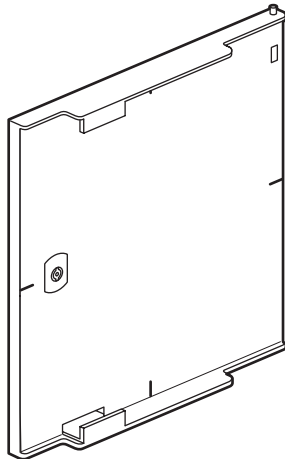
■ 6.2 Sectioned uprights and Lina 25 rails (continued)

- Rails :



Cabinet		Rail Cat. No.	
Cat. No.	Width (mm)		
0 362 51/71	300	0 367 80	
0 362 52/55/72/75	400	0 367 81	
0 362 56/76	500	0 367 82	
0 362 61/81	600	0 367 83	
0 362 63/64/83/84	800	0 367 84	
2 m to be cut to length		0 374 07	0 374 02

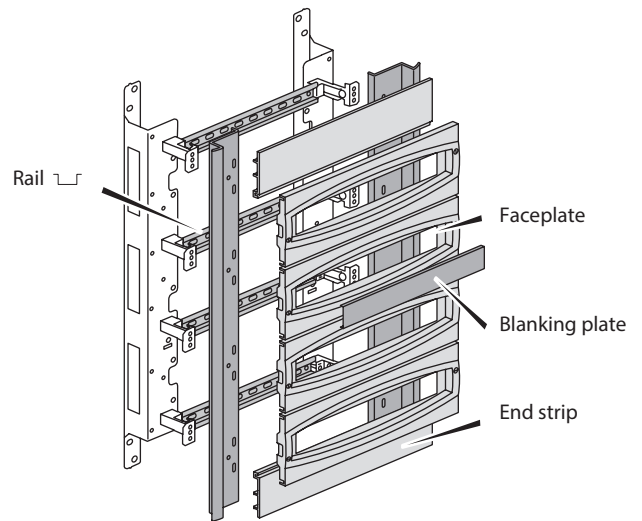
■ 6.3 Internal polyester doors RAL 7035



Cabinet		Internal door Cat. No.
Cat. No.	H x L (mm)	
0 362 51/71	400 x 300	0 363 59
0 362 52/72	500 x 400	0 363 60
0 362 55/75	600 x 400	0 363 61
0 362 56/76	700 x 500	0 363 62
0 362 61/81	800 x 600	0 363 63
0 362 63/83	1000 x 800	0 363 64
0 362 64/84	1200 x 800	0 363 65 ⁽¹⁾

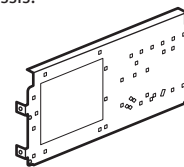
(1) Internal door like Cat. No. 0 363 64 with adjustable distance of 200 mm at top and bottom of door.

■ 6.4 Chassis with insulating plates RAL 7035



Cabinet		Chassis	
Cat. No.	H x L x P (mm)	Cat. No.	Capacity
0 362 51/71	400 x 300 x 200	0 361 01	3 rows of 10 modules
0 362 52/72	500 x 400 x 200	0 361 02	3 rows of 16 modules
0 362 55/75	600 x 400 x 250	0 361 03	3 rows of 16 modules
0 362 56/76	700 x 500 x 250	0 361 05	4 rows of 21 modules
0 362 61/81	800 x 600 x 300	0 361 06	4 rows of 27 modules
0 362 63/83	1000 x 800 x 300	0 361 09	5 rows of 38 modules
0 362 64/84	1200 x 800 x 300	0 361 10	6 rows of 38 modules

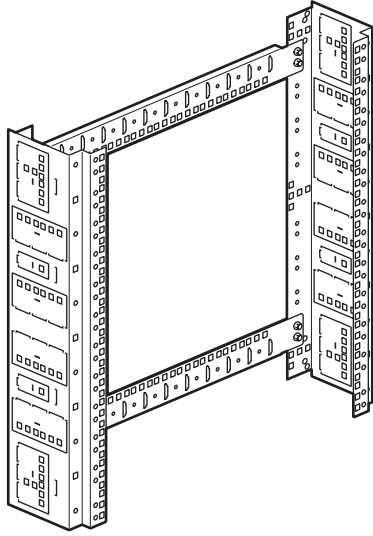
- Mounting plate for chassis:



Chassis		Mounting plate	
Cat. No.	H x L x P (mm)	Cat. No.	For power devices
0 361 06	800 x 600 x 300	0 360 44	DPX ³ 160 or Vistop 160 A
0 361 09	1000 x 800 x 300	0 360 45	DPX ³ 160, DPX ³ 250 ER, Vistop 160 A
0 361 10	1200 x 800 x 300		

6. EQUIPMENTS (continued)

■ 6.5 Chassis VDI

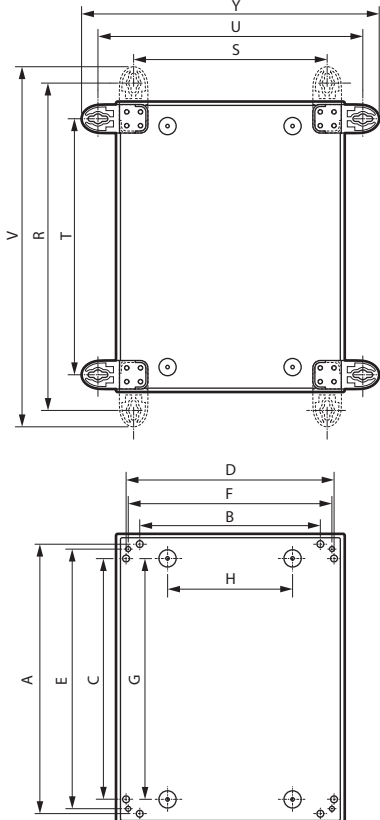


Cabinet		VDI chassis	
Cat. No.	H x L x P (mm)	Cat. No.	Capacity
0 362 55/75	600 x 400 x 250	0 462 28	12 U ⁽¹⁾
0 362 61/81	800 x 600 x 300	0 462 29	16 U ⁽²⁾

(1) For same equipment as mini XL VDI cabinet Cat. No. 0 329 81.
 (2) For 19-inch equipment.

7. FIXING

Rear fixing on inserts (no passthrough) maintains IP66 and Class II.



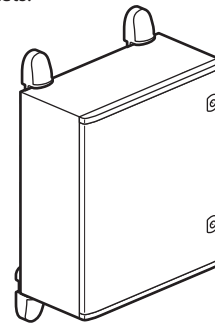
7. FIXING (continued)

Cat. No.	On stand Cat. No. 0 364 36 and by threaded rods (mm)		On post with kit Cat. No. 0 364 46/47/ 0 364 46/47/48/49 and by threaded rods (mm)		Direct fixing outside mounting equipment area and on stand Cat. No. 364 37 (mm ²)	
	A	B	C	D	E	F
0 362 50	-	-	-	-	-	-
0 362 51/71	364	218	325	266	358	259
0 362 52/72	464	318	425	366	458	359
0 362 55/75	574	318	525	366	558	358
0 362 56/76	683	427	630	460,5	664	468
0 362 61/81	781	525	730	560,5	764	568
0 362 63/83	-	-	-	-	964	768
0 362 64/84	-	-	-	-	1164	768

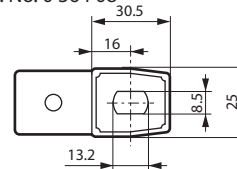
Cat. No.	Direct fixing through rear of cabinet (mm ²)		With vertical brackets (mm)			With horizontal brackets (mm)		
	G	H	R	S	V	T	U	Y
0 362 50 ⁽¹⁾⁽²⁾	220	150	330	190	359	270	250	279
0 362 51/71	335	120	470	241	525	341	370	425
0 362 52/72	425	220	570	341	625	441	470	525
0 362 55/75	525	220	680	341	735	551	470	525
0 362 56/76	600	200	789	441	844	641	579	634
0 362 61/81	700	300	887	548	942	758	677	732
0 362 63/83	900	500	1087	748	1142	958	877	932
0 362 64/84	1100	500	1287	748	1342	1158	877	932

(1) With brackets Cat. No. 0 364 08
 (2) S and T: insert centre distances
 (3) Through fixing

- Wall fixing with brackets:

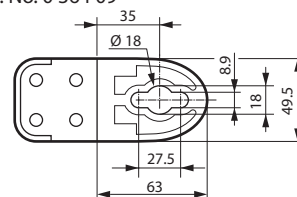


Set of brackets RAL 7035
 Cat. No. 0 364 08



For cabinet H 300 mm
 Polyamide

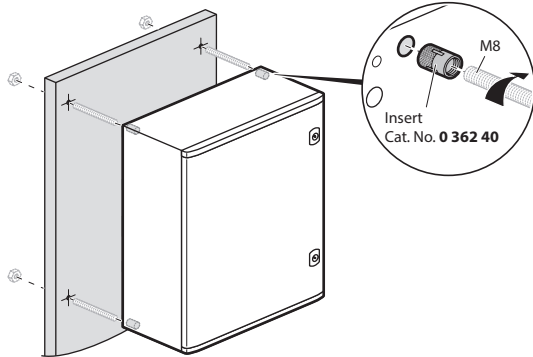
Cat. No. 0 364 09



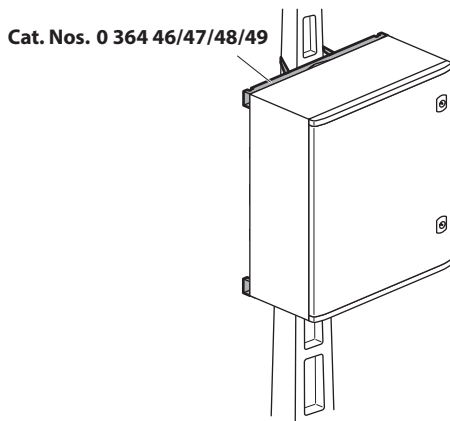
For cabinets H ≥ 400 mm
 Polyester
 Polyamide cover RAL 7016

7. FIXING (continued)

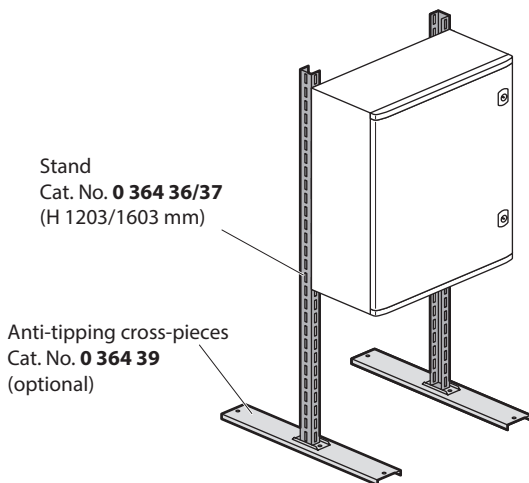
- Wall fixing by threaded rods:



- Fixing on post:



- Floor fixing with stand:

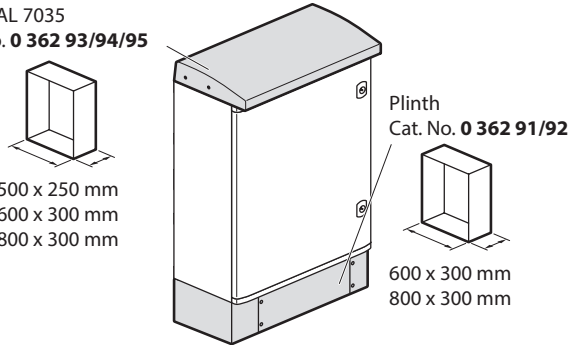


Stand Cat. No. 0 364 37 is supplied with accessories to maintain IP 66 and Class II at the level of the passthrough fixing.

7. FIXING (continued)

- Floor fixing on plinth H 170 mm (polyester RAL 7035):

Roof RAL 7035
 Cat. No. 0 362 93/94/95



8. ACCESSORIES

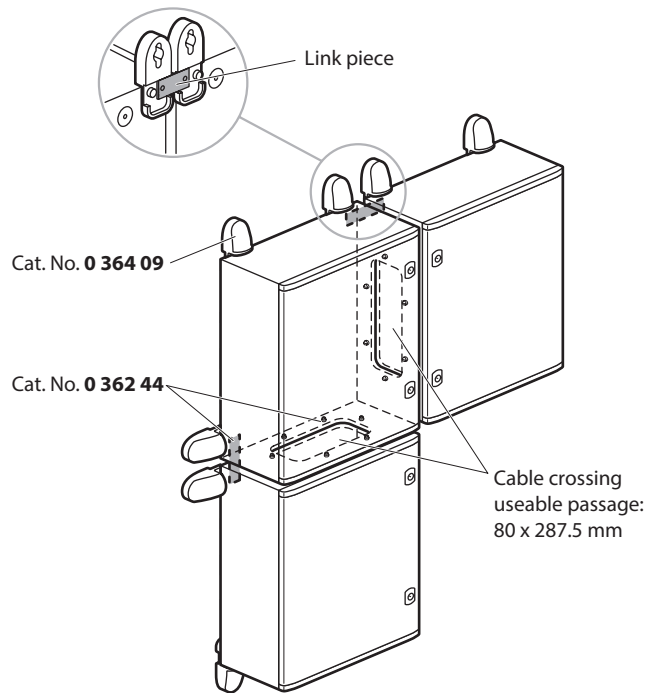
■ **8.1 Joining kit Cat. No. 0 362 44**

Cabinets can be joined horizontally or vertically with Cat. Nos. 0 362 44 (except cabinet 0 362 50/51/71).

The kit is composed of:

- 2 linking pieces of fixing brackets (Cat. No. 364 09 to be ordered separately) stainless steel,
- 1 cable crossing frame in glassfibre-filled polyester with integrated polyurethane seals,
- 1 drilling template, screw in stainless steel.

IP 66, Class II and max. load (500 kg/m³) are maintained.



From height 800 mm upwards 2 cable crossign frames can be fitted on the height of the cabinet.

8. ACCESSORIES (continued)

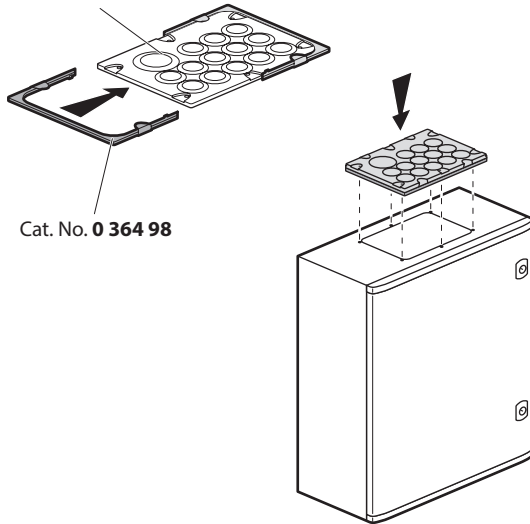
■ **8.2 Cabstop Kit RAL 7035 Cat. No. 0 364 98**

Kit Cat. No. 0 364 98 enables mounting of IP 55 Cabstop plates on flat surface.

Kit enables mounting of 2 IP 55 Cabstop plates Cat. Nos. 0 364 94 or 95, and 0 364 96 or 97 (supplied with drilling template). Class II is maintained (insulated screws).

Cabstop plate

Cat. No. 0 364 94/95/96/97

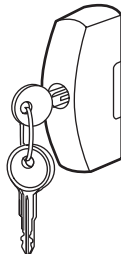


■ **8.3 Handle lock with barrel Cat. No. 0 368 06**

Handle lock is composed of a 2433 A barrel.

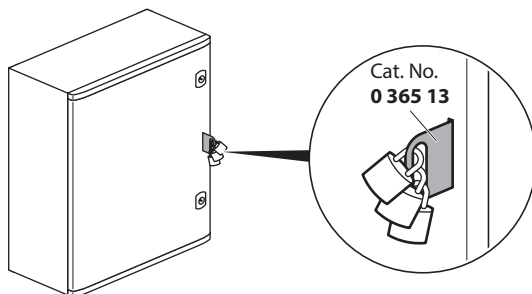
IP 66 maintained.

Handle lock 0 368 05 and other key codes possible.



■ **8.4 Stainless steel padlocking lug Cat. No. 0 365 13**

The lug Cat. No. 0 365 13 allows the padlocking of cabinets (except Cat. No. 0 362 50) with 3 padlocks Ø 6 mm max. in addition to the locks. IP and Class II are maintained.

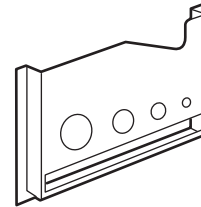


Other padlocking possible: Cat. No. 0 365 11 on lock (or handle lock in accessory).

■ **8.5 Self adhesive pockets for plans**

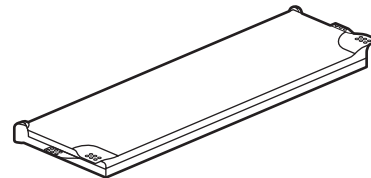
- Cat. Nos. 0 365 80, 340 x 235 mm (internal dimensions: 310 x 200 x 18 mm) and Cat. Nos. 0 365 81, 260 x 165 mm (internal dimensions: 230 x 130 x 18 mm).

Opened, RAL 7035



- Cat. No. 0 365 82, 325 x 120 mm (internal dimensions: 324 x 120 x 18 mm). Closed IP 50, RAL 9002.

Capacity of some fifteen A4 sheets of papers folded in two.



- Cat. No. 0 097 99, 305 x 220 mm (A4 format).

Flexible and transparent.

■ **8.6 Door contact Cat. No. 0 363 13**

