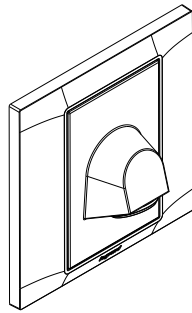
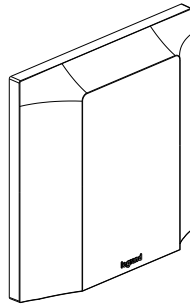


Belanko™ S Cable outlet

Cat. No(s): 6 17X 85/86



6 17X 85



6 17X 86

CONTENTS

1. Use.....1
2. Range.....1
3. Preparation.....1
4. Overall dimensions.....1
5. Connection.....1
6. Technical characteristics.....2
7. Cleaning.....2
8. Conformity - Approvals.....2

1. USE

Device to enable the connection of free-standing electrical appliances from the fixed wiring of the main installation.
(Supplied with M3.5 screws for BS boxes. Flush mounting or surface mounting.)

2. RANGE

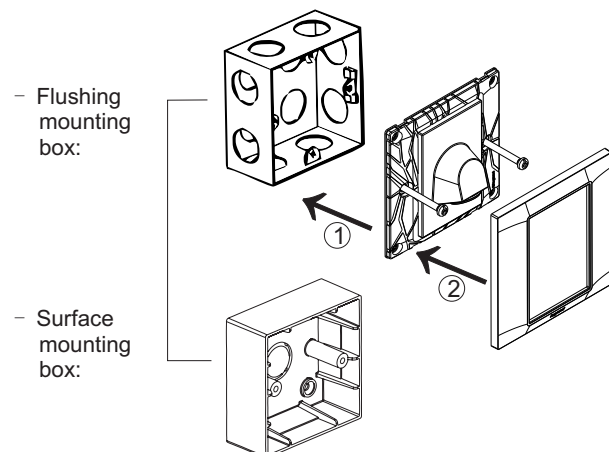
	Designation	Cat. No.	Weight(g)
	20A CABLE OUTLET	6 17X 85	66.9
	45A CABLE OUTLET	6 17X 86	130.6

Colours

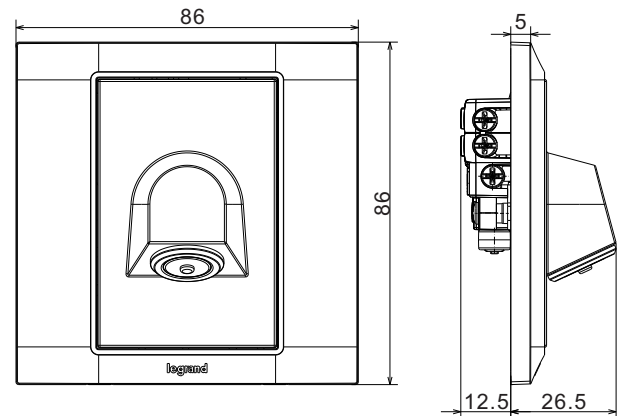
- Front: white/anthracite/ivory
- Rear: grey
- 6 176 XX White
- 6 177 XX Anthracite
- 6 178 XX Ivory

3. PREPARATION

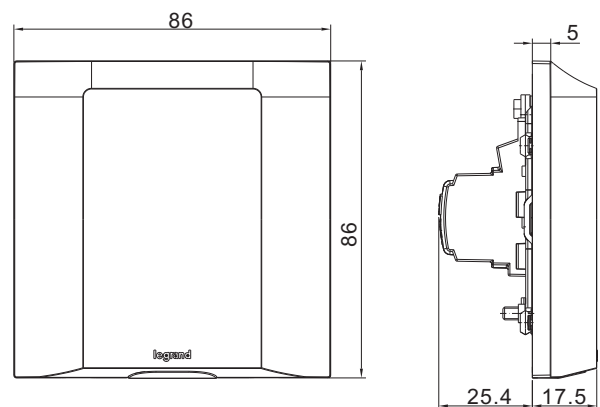
3.1 General preparation



4. OVERALL DIMENSIONS



6 17X 85



6 17X 86

Profile Size: 86 × 86mm
Distance of installation hole: 60.3 mm
Minimum depth of the box > 35 mm

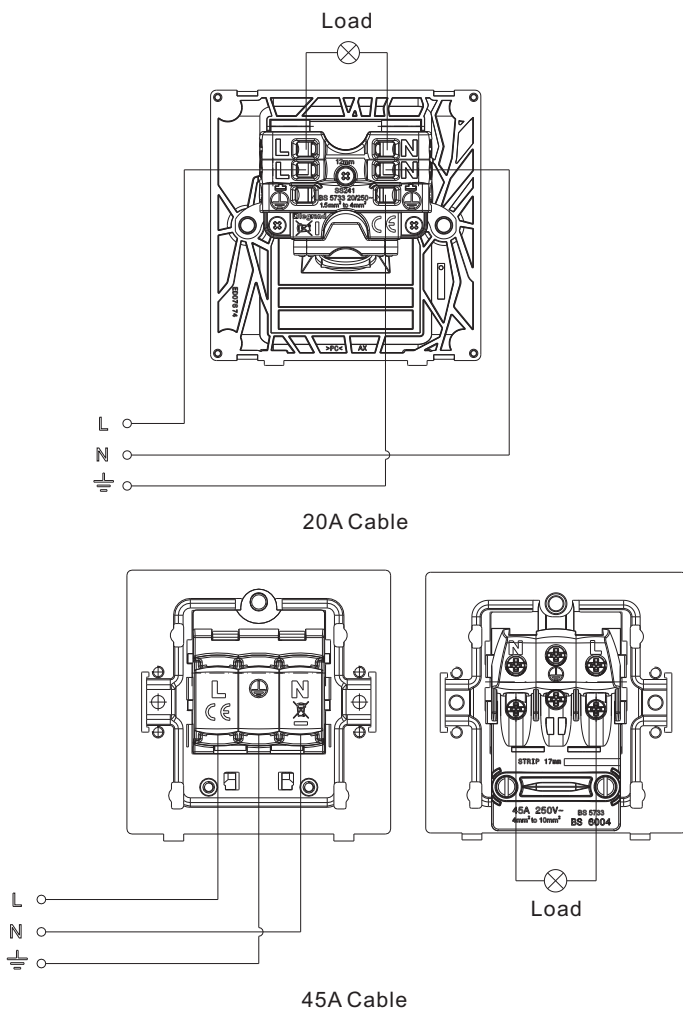
5. CONNECTION

5.1 Terminals

- Terminal capacity: 3 X 1 mm²
- 3 X 1.5 mm²
- 2 X 2.5 mm²
- 1 X 4 mm²

Recommended screwdriver size: < 4 mm flat blade
Recommended stripping length: 12 mm

5.2 Circuit diagrams



7. CLEANING

Surface cleaning with a soft, slightly damp cloth.
Do not use: acetone, tar remover, trichloroethylene

8. CONFORMITY - APPROVALS

Conform to BS 5733.

6. TECHNICAL CHARACTERISTICS

6.1 Material characteristics

20A Cable:

Plate: Polycarbonate
Frame: Polycarbonate
Base: PP

45A Cable:

Plate: Polycarbonate
Frame: A3+Zn plated
Base: PP

Self-extinguishing:

+ 850° C / 30 s for insulating parts holding live parts in place
+ 650° C / 30 s for other parts made of insulating materials

6.2 Electrical characteristics

20A Cable outlet:

Voltage: 250V~
Current: 20A

45A Cable outlet:

Voltage: 250V~
Current: 45A

6.3 Climatic characteristics

Storage temperatures: -10°C to +70°C
Operating temperatures: -5°C to +50°C

6.4 Mechanical characteristics

Impact test: IK04
Protection against solids & liquids: IP20