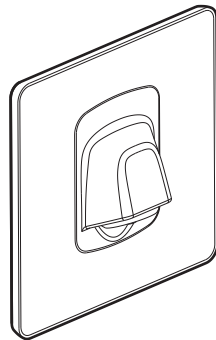
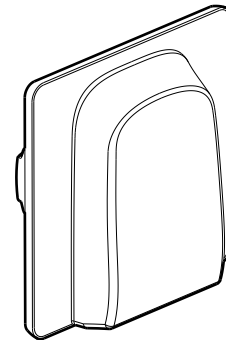


## Synergy™ Cable outlets - Sleek design

Cat. No(s): 8 320 19/26 - 8 322 19 - 8 324 19



8 32x 19



8 320 26

### 1. USE

Cable outlets, complete delivered with sleek design front plates.  
 For flush-mounting or surface-mounting.  
 Fixing with screws.

### 2. RANGE

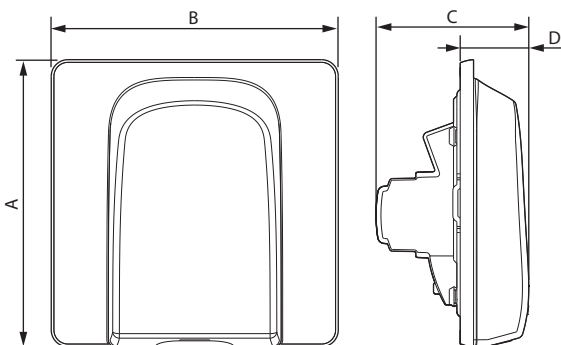
#### Cable outlets 20 A

8 320 19	● Brushed stainless steel
8 322 19	● Polished stainless steel
8 324 19	● Glossy gold

#### Cable outlets 45 A

8 320 26	● Anthracite grey colour
----------	--------------------------

### 3. OVERALL DIMENSIONS (mm)



Cat. Nos	A	B	C	D
8 32x 19	86	86	34.5	18.5
8 320 26	86	86	46	20.5

### 4. CONNECTION

Type of terminals : with screws  
 Stripping length: 8 32x 19: 12 mm - 8 320 26: 13 mm  
 Compatible with flexible or rigid cables.

### 5. TECHNICAL CHARACTERISTICS

#### ■ 5.1 Mechanical characteristics

Impact tests: IK 01  
 Penetration by solid bodies/liquids: IP 20

#### ■ 5.2 Material characteristics

Plates:  
 - BSS: austenitic Brushed Stainless Steel - non magnetic - grade 304 L  
 - PSS: Polished Stainless Steel + rust resistance  
 - GG: Stainless Steel + rust resistance  
 - Anthracite Grey colour: plastic  
 Halogen free  
 UV resistant

#### Self-extinguishing:

+ 850° C / 30 s for insulating parts holding live parts in place.  
 + 650° C / 30 s for other parts made of insulating materials.

#### ■ 5.3 Climatic characteristics

Storage temperature: - 10° C to + 70° C  
 Use temperature: - 5° C to + 35° C

### 6. CLEANING

Clean the surface with a cloth.  
 Do not use acetone, tar-removing cleaning agents or trichloroethylene.

Resistance to the following cleaning substances:  
 Hexane (EN 60669-1), Methylated spirit, Soapy water, Diluted ammonia,  
 Diluted pure bleach 10%, Glass cleaning product.

**Caution:** A preliminary test should be carried out if other specific cleaning products are to be used.

### 7. STANDARDS AND APPROVALS

Compliance with standards of installation and manufacturing.  
 See e.catalogue.