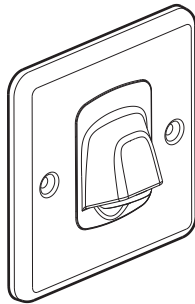
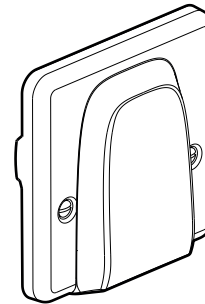


**Synergy™**  
**Cable outlets - Authentic**

Cat. No(s): 8 330 19/26 - 8 332 19/26 - 8 334 19/26



8 33x 19



8 33x 26

**1. USE**

Cable outlets, complete delivered, with slim front plates.  
 For flush-mounting or surface-mounting.  
 Fixing with screws.

**2. RANGE**

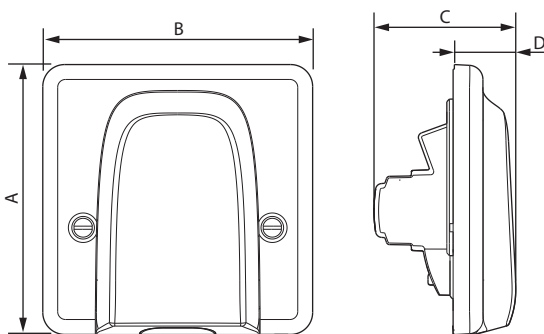
**Cable outlets - 20 A**

8 330 19	● Brushed stainless steel
8 332 19	● Polished stainless steel
8 334 19	● Glossy gold

**Cable outlets - 45 A**

8 330 26	● Brushed stainless steel
8 332 26	● Polished stainless steel
8 334 26	● Glossy gold

**3. OVERALL DIMENSIONS (mm)**



Cat. Nos	A	B	C	D
8 33x 19	86	86	34.5	22
8 33x 26	86	86	45	20

**4. CONNECTION**

Type of terminals : with screws  
 Stripping length: 8 33x 19: 12 mm - 8 33x 26: 13 mm  
 Compatible with flexible or rigid cables.

**5. TECHNICAL CHARACTERISTICS**

**■ 5.1 Mechanical characteristics**

Impact tests: IK 01  
 Penetration by solid bodies/liquids: IP 20

**■ 5.2 Material characteristics**

Plates:  
 - BSS: austenitic Brushed Stainless Steel - non magnetic - grade 304 L  
 - PSS: Polished Stainless Steel + rust resistance  
 - GG: Stainless Steel + rust resistance  
 Halogen free  
 UV resistant

**Self-extinguishing:**

+ 850° C / 30 s for insulating parts holding live parts in place.  
 + 650° C / 30 s for other parts made of insulating materials.

**■ 5.3 Climatic characteristics**

Storage temperature: - 10° C to + 70° C  
 Use temperature: - 5° C to + 35° C

**6. CLEANING**

Surface cleaning with a cloth.  
 Do not use acetone, tar-removing cleaning agents or trichloroethylene.  
 Resistance to the following cleaning substances:  
 Hexane (EN 60669-1), Methylated spirit, Soapy water, Diluted ammonia, Diluted pure bleach 10%, Glass cleaning product.

**Caution:** A preliminary test should be carried out if other specific cleaning products are to be used.

**7. STANDARDS AND APPROVALS**

Compliance with standards of installation and manufacturing.  
 See e.catalogue.