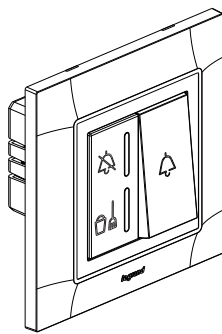


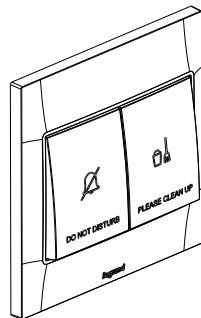
Belanko™ S

Hotel indicator and bell push

Cat. No(s): 6 17X 13/14



6 17X 13



6 17X 14

CONTENTS

1. Use.....1
2. Range.....1
3. Preparation.....1
4. Overall dimensions.....1
5. Connection.....1
6. Technical characteristics.....2
7. Cleaning.....2
8. Conformity - Approvals.....2

1. USE

Use in conjunction with hotel bedroom call indicator.
(Supplied with M3.5 screws for BS boxes. Flush mounting.)

2. RANGE

	Designation	Cat. No.	Weight(g)
	1G INDICATOR AND BELL PUSH	6 17X 13	71
	INTERN CONTROL UNIT HOTEL ROOM	6 17X 14	70

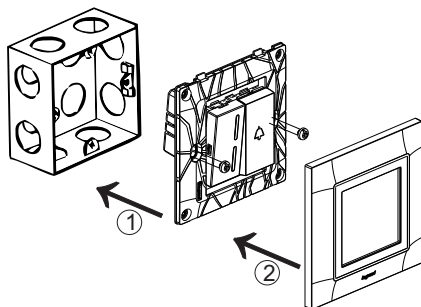
Colours

- Front: white/anthracite/ivory
- Rear: grey
- 6 176 XX White
- 6 177 XX Anthracite
- 6 178 XX Ivory

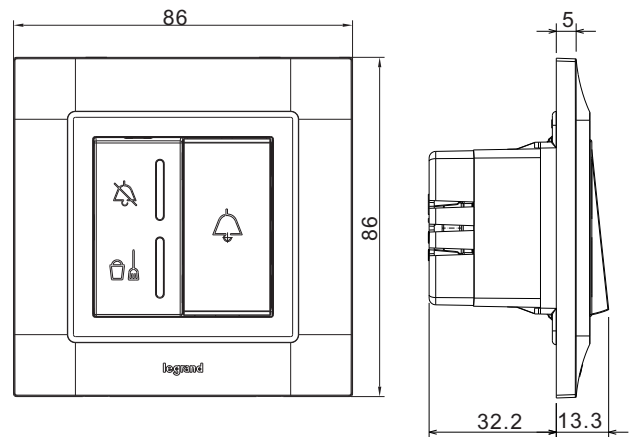
3. PREPARATION

3.1 General preparation

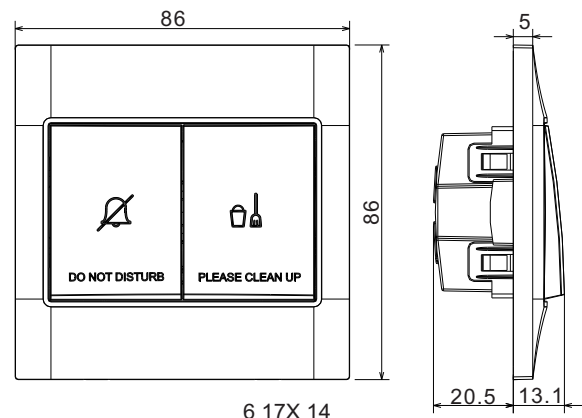
- Flushing mounting box:



4. OVERALL DIMENSIONS



6 17X 13



6 17X 14

Profile Size: 86×86mm
Distance of installation hole: 60.3 mm
Minimum depth of the box>35 mm

5. CONNECTION

5.1 Terminals

- 1G Indicator and bell push:**
Terminal capacity: 3 X 1 mm²
3 X 1.5 mm²
2 X 2.5 mm²
1 X 4 mm²
- Intern control unit hotel room:**
Terminal capacity: 3 X 1 mm²
2 X 1.5 mm²
1 X 2.5 mm²

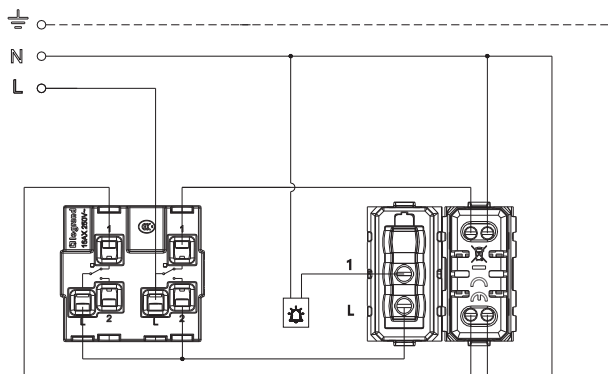
Belanko™ S

Hotel indicator and bell push

Cat. No(s): 6 17X 13/14

Recommended screwdriver size: <4 mm flat blade
Recommended stripping length: 12 mm
Recommended terminal tightening torque: 0.5Nm

5.2 Circuit diagram



6. TECHNICAL CHARACTERISTICS

6.1 Material characteristics

Plate: Polycarbonate

Rocker: Polycarbonate

Frame: Polycarbonate

Base of 1G indicator and bell push : PC

Base of Intern control unit hotel room: PP

Self-extinguishing:

+ 850° C / 30 s for insulating parts holding live parts in place

+ 650° C / 30 s for other parts made of insulating materials

6.2 Electrical characteristics

6 17X 13:

Indicator and bell push: 230V~ 50/60Hz

The Indicator LED color of "Do not disturb" is red

The Indicator LED color of "Make up room" is blue

6 17X 14:

Intern control unit hotel room: 250V~ 16AX

6.3 Climatic characteristics

Storage temperatures: -10° C to +70° C

Operating temperatures: -5° C to +50° C

6.4 Mechanical characteristics

Impact test: IK04

Protection against solids & liquids: IP20

7. CLEANING

Surface cleaning with a soft, slightly damp cloth.

Do not use: acetone, tar remover, trichloroethylene

8. CONFORMITY - APPROVALS

Conform to IEC 60669-1.