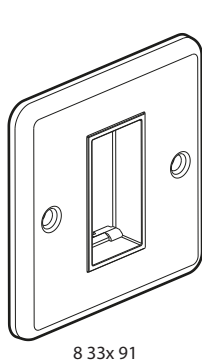
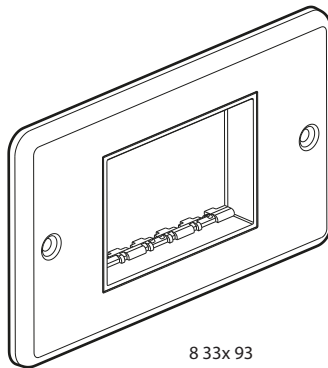


Synergy™
Front plates for Arteur mechanisms
Authentic

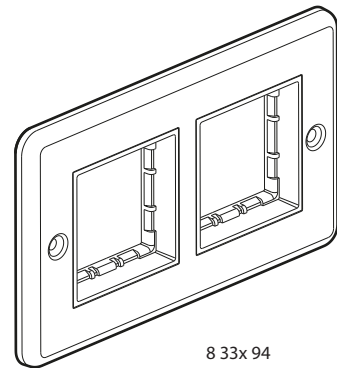
Cat. No(s): 8 330 91/92/93/94 - 8 332 91/92/93/94 - 8 334 91/92/93/94



8 33x 91



8 33x 93



8 33x 94

1. USE

Front plates for Arteur mechanisms.
 Flush-mounting or surface-mounting.
 Fixing with screws.

2. RANGE

1-gang for 1 Arteur module

8 330 91	● Brushed stainless steel
8 332 91	● Polished stainless steel
8 334 91	● Glossy gold

1-gang for 2 Arteur modules

8 330 92	● Brushed stainless steel
8 332 92	● Polished stainless steel
8 334 92	● Glossy gold

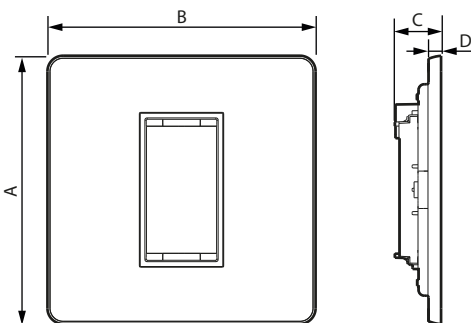
2-gang for 3 Arteur modules

8 330 93	● Brushed stainless steel
8 332 93	● Polished stainless steel
8 334 93	● Glossy gold

2-gang for 4 Arteur modules

8 330 94	● Brushed stainless steel
8 332 94	● Polished stainless steel
8 334 94	● Glossy gold

3. OVERALL DIMENSIONS (mm)



3. OVERALL DIMENSIONS (mm) (continued)

Cat. Nos	A	B	C	D
8 330 91 - 8 332 91 - 8 334 91 8 330 92 - 8 332 92 - 8 334 92	86	86	15	7.5
8 330 93 - 8 332 93 - 8 334 93 8 330 94 - 8 332 94 - 8 334 94	86	146	15	7.5

5. TECHNICAL CHARACTERISTICS

5.1 Mechanical characteristics

Impact tests: IK 01
 Penetration by solid bodies/liquids: IP 20

5.2 Material characteristics

Plates:
 - BSS: austenitic Brushed Stainless Steel - non magnetic - grade 304 L
 - PSS: Polished Stainless Steel + rust resistance
 - GG: Stainless Steel + rust resistance

Support frame: PC
 Halogen free
 UV resistant

Self-extinguishing: 650° C / 30 s

5.3 Climatic characteristics

Storage temperature: - 10° C to + 70° C
 Use temperature: - 5° C to + 35° C

6. CLEANING

Clean the surface with a cloth.
 Do not use acetone, tar-removing cleaning agents or trichloroethylene.

Resistance to the following cleaning substances:
 Hexane (EN 60669-1), Methylated spirit, Soapy water, Diluted ammonia, Diluted pure bleach 10%, Glass cleaning product.

Caution: An initial test is required for the use of other special maintenance products.

7. STANDARDS AND APPROVALS

Compliance with standards of installation and manufacturing.
 See e.catalogue.