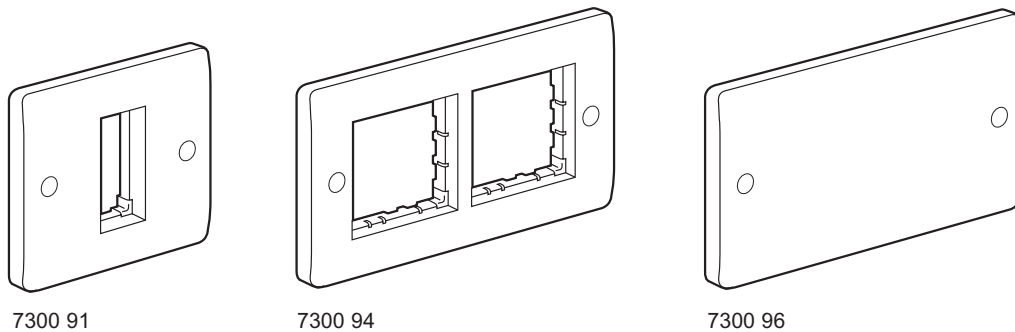


Synergy®
Blanking plates
Carrier plates for Mosaic® modules

Cat. No(s) : 7300 91/92/93/94/95/96



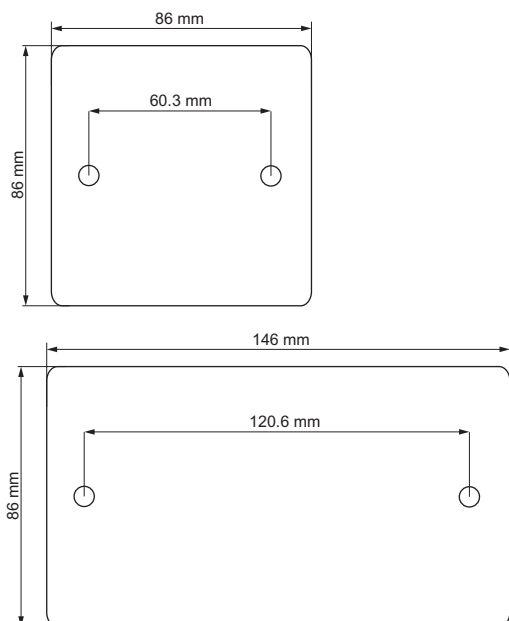
1. APPLICATIONS

- Carrier plates designed to receive Mosaic modules directly without the need for separate mounting yokes. Permit the combination of different functionalities on the same faceplate.
- Blanking plates feature screw bases for attachment of printed circuit boards or similar on the inside face.

2. WHITE RANGE

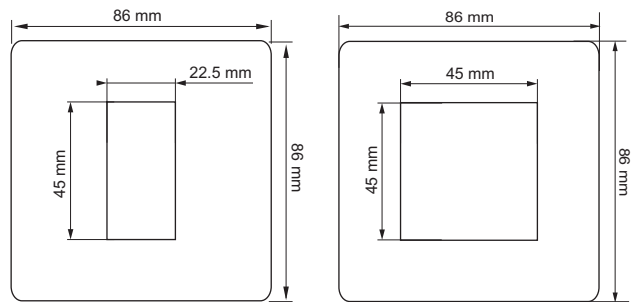
| Description | Cat. N° | Characteristics | Weight (g) |
|----------------|---------|----------------------|------------|
| 1 gang carrier | 7300 91 | 1 Mosaic module | 58 |
| 1 gang carrier | 7300 92 | 2 Mosaic modules | 52 |
| 2 gang carrier | 7300 93 | 3 Mosaic modules | 79 |
| 2 gang carrier | 7300 94 | 2 x 2 Mosaic modules | 79 |
| 1 gang blank | 7300 95 | | 56 |
| 2 gang blank | 7300 96 | | 88 |

3. DIMENSIONS (mm)



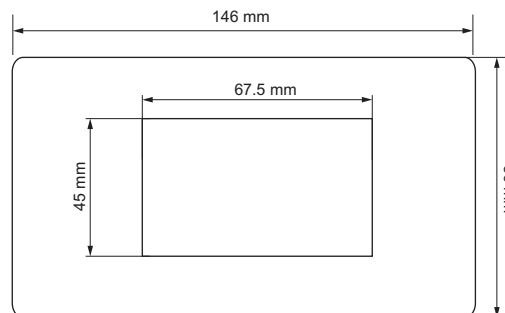
3. DIMENSIONS (mm) (continued)

Carrier plates for Mosaic modules

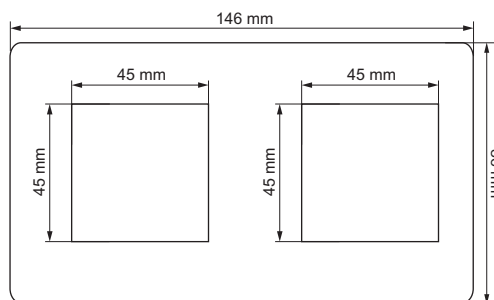


1 Mosaic module

2 Mosaic modules



3 Mosaic modules



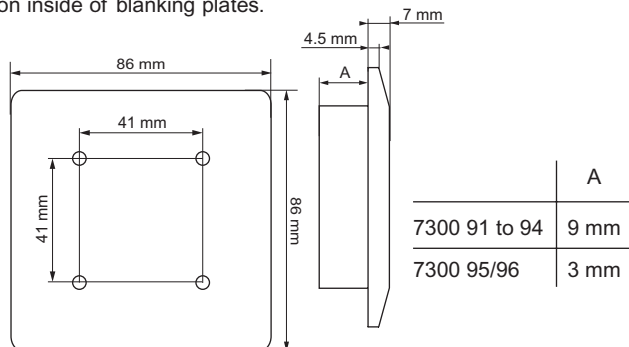
2 x 2 Mosaic modules

Synergy® Blanking plates Carrier plates for Mosaic® modules

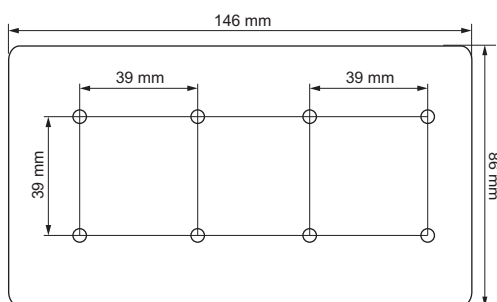
Cat. No(s) : 7300 91/92/93/94/95/96

3. DIMENSIONS (mm) (continued)

Detail showing screw bosses for attachment of printed circuit boards on inside of blanking plates.



7300 95 Rear view



7300 96 Rear view

For printed circuit board attachment : use thread cutting screws of 2.9 mm diameter.

4. INSTALLATION

Flush mounting :

- All products supplied with 2 x M 3.5 fixing screws and 2 thermoplastic screw covers. It is recommended that redundant top and bottom fixing lugs in metal backboxes are bent back to increase room for mechanisms and their attendant wiring.
- Depth of backbox chosen should comfortably accommodate Mosaic mechanism and allow sufficient space for conductors.

Surface mounting :

- Surface pattern selected should comfortably accommodate Mosaic mechanism and allow sufficient space for conductors.

5. CONNECTION

Carrier plates for Mosaic mechanisms are equipped with an earth terminal

- Capacity : 2 x 2.5 mm²
1 x 4 mm²
1 x 6 mm²

- Recommended screwdriver size : 4 mm flat blade
- Recommended tightening torque : 0.5 Nm.

6. GENERAL CHARACTERISTICS

6.1 Mechanical characteristics

- IP rating : IP2X
- IK rating : IK01

6.2 Material properties

- Frontplate : thermoset urea, self-extinguishing at 960° C / 30 s
- Fixing screw concealment plugs : polycarbonate.

6. GENERAL CHARACTERISTICS (continued)

6.4 Resistance to chemicals

| | PC | UREA |
|---|---------|---------|
| Resistance to chemical agents | n | l |
| Acetone | n | l |
| Acetic acid 10 % | S | - |
| Hydrochloric acid | S (20%) | n |
| Citric acid 10 % | S | - |
| Hydrofluoric acid 4 % | S | l |
| Lactic acid 10 % | S | - |
| Nitric acid 10 % | S | - |
| Phosphoric acid 85 % | l | n |
| Sulphuric acid 25 % | S | n |
| Tannic acid | n | - |
| Cleaning agents containing traces of ammonia quaternaires | n | S |
| Ethyl alcohol | S | l |
| Methyl alcohol (methanol) | l | l |
| Ammonia | n | l |
| Aniline | n | l |
| Benzene | n | l |
| Lime | n | l |
| Liquid chlorine | n | - |
| Barium chloride | S | - |
| Chlorinated lime 20 % | S | - |
| Javel water | S | - |
| Seawater | S | - |
| Oil | S | S |
| Milk | S | - |
| Fuel | S | l |
| Petroleum oil, petroleum ether | l | l |
| Caustic soda | n (40%) | S (25%) |
| Sugar | S | - |
| Toluene | n | - |
| Trichlorethylene | n | l |
| Urine | S | - |
| Wine | S | - |

S = satisfactory

l = limit

n = not satisfactory

6.5 Functional limitations

- Products may be stored and used at temperatures between - 5° C and + 40° C
- Maximum average ambient temperature in any 24 hour period not to exceed 25° C.

7. MAINTENANCE

The use of abrasives or solvent-based cleaners is strictly forbidden as it could result in irreparable damage to the product's external surfaces. We recommend the use of a soft, slightly damp cloth to remove fingerprints, etc...

8. ACCESSORIES

Fixing screw concealment plugs : Cat. N° 7301 53 (50 per pack)

9. CONFORMITY TO STANDARDS

Conforms to BS 5733