

Plug-in Ceiling Rose


Cat. No(s): 0 601 96



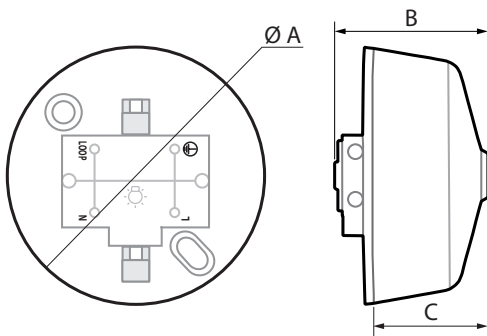
1. USE

Connecting device for light features.
 Can be mounted on a BESA box.

2. RANGE

Plug-in Ceiling Rose		Cat. No
 <p>Pack contents: 1- Cover easy opening (1/4 turn) 2- Plug-in system: mechanical and electrical connection in one clic-in action. Load grips support up to 5 kg. 3- Base</p>	0 601 96	

3. DIMENSIONS (mm)



Ø A	B	C
75	39	43

4. CONNECTION

■ 4.1 Base:

Type of terminals: with screws
 Terminal capacities: 8 x 0.75 mm²; 5 x 1.5 mm²; 4 x 2.5 mm²; 3 x 4 mm²
 Stripping length: 7 mm
 Tightening torque: 0.6 N
 Rigid or flexible cables admissible
Note: use only 3 pin plugs with these standards BS 6972 and BS 5733

4. CONNECTION (continued)

■ 4.2 Plug-in:

Type of terminals: internals with screws
 Stripping length: 7 mm
 Terminal capacities: 6 x 0.75 mm²; 3 x 1.5 mm²; 1 x 2.5 mm²; 1 x 4 mm²
 Tightening torque: 0.4 N

5. TECHNICAL CHARACTERISTICS

■ 5.1 Mechanical characteristics

Protection against mechanical impact: IK 04
 Protection against solid bodies and liquids: IP 20

■ 5.2 Material characteristics

- Cover: Urea
 - Base: PP
 - Terminal cover: PP
 - L/N/E terminals: Brass
 - Screws: Mild steel, plated

Self extinguishing:
 850°C/30 s for insulating components holding live parts in place.
 650°C/30 s for other insulating components.

■ 5.3 Electrical characteristics

Voltage: 250 V~
 Current: 6 A

■ 5.4 Climate characteristics

Storage temperature: -5°C to +60°C
 Usage temperature: -5°C to +40°C

6. CLEANING

Surface cleaning with a cloth.
 Do not use: acetone, tar remover, trichlorethylene.

Caution: Always test before using other special cleaning products.

7. STANDARDS AND APPROVALS

BS 6972
 BS 5733