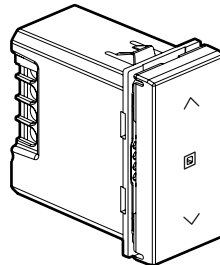


# Arteor™

## Connected switch for roller shutters/curtains

Cat. Nos: 5 742 04/13/22/31



### 1. USE

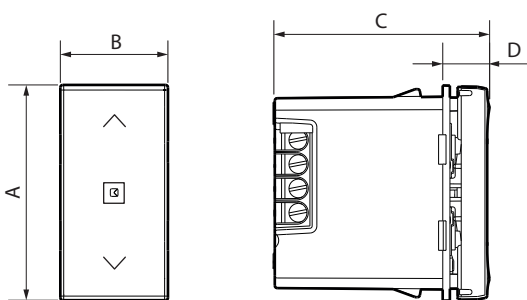
For local or remote control of a roller shutter/curtains.  
 Can be combined with one or more wireless roller shutter controls, curtains.  
 Can be installed in place of an existing roller shutter switch in a flush-mounting box 40 mm deep (minimum).  
 The Arteor with Netatmo solution is compatible with roller shutters with a mechanical or electromechanical stop, controlled by a standard wired switch for roller shutters.

**Caution:** Must be connected to the neutral.  
 Not compatible with radio-controlled roller shutter motors.  
 Claws and/or screws fixing.

### 2. RANGE

Description	White	Champagne	Magnesium	Soft Alu
Connected switch for roller shutters/curtains supplied with rocker plate. Equipped with an LED indicator. Hidden reset button used to return to factory settings. 1 module	5 742 04	5 742 31	5 742 22	5 742 13

### 3. DIMENSIONS (mm)

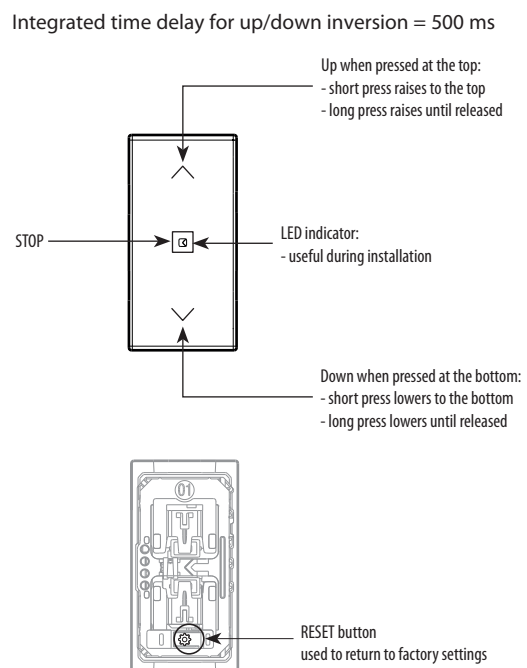


A	B	C	D
45	22.5	45	10

### 4. CONNECTION

Terminal type: with screws  
 Terminal capacity: 1 x 2.5 mm<sup>2</sup> - 2 x 1.5 mm<sup>2</sup>  
 Stripping length: 7 mm  
 Screwdriver: 3 mm flat

### 5. OPERATION



## 6. TECHNICAL CHARACTERISTICS

### ■ 6.1 Mechanical characteristics

Protection against impacts: IK 04

Protection against solid bodies/liquids: IP 21 D

### ■ 6.2 Material characteristics

Rocker plate: ABS White RAL 9003

ABS Champagne painted

ABS Magnesium painted

ABS Soft Alu painted

Mechanism casing: PC

Halogen-free

UV resistant

Self-extinguishing:

850°C/30 s for insulating parts holding live parts in place.

650°C/30 s for the other insulating components.

### ■ 6.3 Electrical characteristics

Voltage: 110/230 V~

Current: 2 A

Power: 500 W bulb

Standby consumption: 0.1 mA

**Zigbee technology** 2.4 GHz to 2.4835 GHz

Power level: < 100 mW

Range: 200 m of unobstructed space

10 m between products

### ■ 6.4 Climate characteristics

Storage temperature: 0°C to + 45°C

Usage temperature: +5°C to + 45°C

## 7. CARE

Clean the surface with a cloth.

Do not use acetone, tar-removing cleaning agents or trichloroethylene.

Resistant to the following products: Hexane (EN 60669-1), methylated spirit, soapy water, diluted ammonia, bleach diluted to 10%, window-cleaning products, pre-impregnated wipes.

**Caution:** Always test before using special cleaning products.

## 8. STANDARDS AND APPROVALS

Compliant with installation and manufacturing standards.

See e-catalogue.

The undersigned, LEGRAND, declares that the radio-electric equipment type (5 742 04/13/22/31) complies with directive 2014/53/EU.

The full text of the EU declaration of conformity is available on the following website: [www.legrandoc.com](http://www.legrandoc.com)