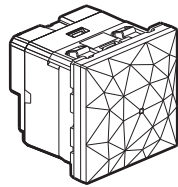
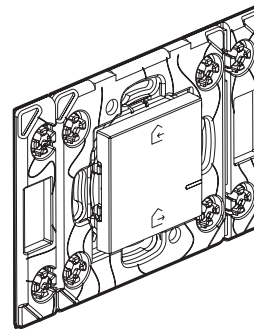


# Arteor™ Connected starter pack

Cat. Nos: 5 742 09/18/27/36



Gateway



General control

## 1. USE

This pack enables you to create a connected installation in your home.  
 It can be used to control lighting, roller shutters and electrical equipment plugged into connected products

- using your smartphone and the Home + Control app
- using voice assistants
- from the general control at the entrance to your home

### Comprises:

• **A gateway (Zigbee relay/WiFi)**

Installation in 1-gang box 35 mm deep (minimum), instead of a standard product.  
 Claw and/or screw fixing.

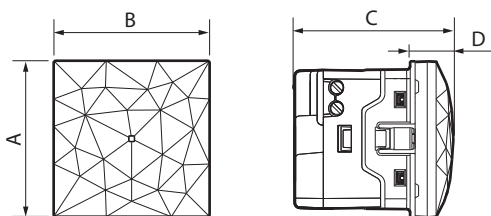
• **A wireless general control**, used to control leaving home/coming home scenes involving lights, roller shutters and connected sockets.

- Fixes directly on the wall or screws onto a flush-mounting box.
- Fits on a piece of furniture (movable).

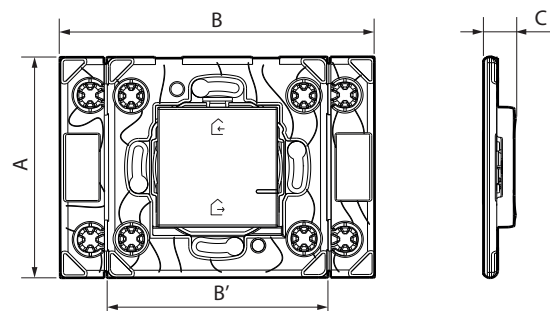
## 2. RANGE

Description	White	Champagne	Magnesium	Soft Alu
<b>Gateway:</b> To be equipped with support frame and plate  <b>Additional wireless general control:</b> Supplied with secable support frame, rocker plate and a battery. Equipped with an LED indicator (configuration) and a RESET button (hidden) used to return to factory settings. Repositionable self-adhesive fixings (x 4 supplied).	5 742 09	5 742 36	5 742 27	5 742 18

## 3. DIMENSIONS (mm)

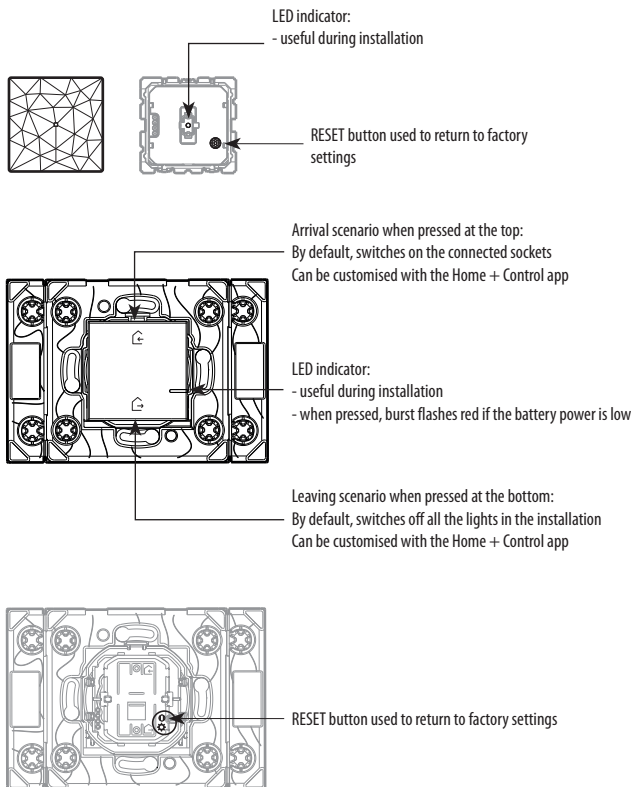


Gateway	A	B	C	D
	45	45	46	12.5



Wireless General Control	A	B	B'	C
	82	116.5	82	12

#### 4. OPERATION



**!** The starter pack is pre-paired at the factory. Never perform a factory RESET on the gateway module and the wireless general control at the same time, as this may render them unusable.

#### 5. CONNECTION

##### Gateway

Terminal type: with screws  
Terminal capacity: 2 x 2.5 mm<sup>2</sup>  
Stripping length: 7 mm

#### 6. TECHNICAL CHARACTERISTICS

##### ■ 6.1 Mechanical characteristics

###### Gateway:

Protection against impacts: IK 04  
Protection against solid bodies and/or liquids: IP 40 mounted product

###### General control:

Protection against impacts: IK 02  
Protection against solid bodies/liquids:  
- IP 20 without plate and rocker plate  
- IP 40 for assembled product

##### ■ 6.2 Material characteristics of gateway

Cover plate: PC  
Mechanism casing: PC  
Halogen-free  
UV resistant

###### Self-extinguishing:

850° C / 30 s for insulating parts holding live parts in place.  
650° C / 30 s for the other insulating components.

#### 6. TECHNICAL CHARACTERISTICS (continued)

##### ■ 6.3 Material characteristics of general control

Mechanism casing with grid: Fibreglass-reinforced (20%) PC  
Halogen-free  
UV resistant  
Self-extinguishing: 650° C / 30 s

##### ■ 6.4 Electrical characteristics of gateway

Voltage: 110/230 V~  
Standby consumption: 10 mA

###### WiFi technology 2.4 GHz (13 channels) - IEEE 802.11 b/g/n

**ZigBee radio technology** frequency: 2.4 GHz to 2.4835 GHz  
Wireless mesh network, self-adaptive and secure (AES 128), conforming to standard IEEE 802.15.4 (LR-WPAN)  
Power level: < 100 mW

Range: 200 m of unobstructed space  
10 m recommended between products indoors

##### ■ 6.5 Electrical characteristics of general control

Powered by a CR2032 - 3 V lithium battery (supplied)  
Battery life: 8 years for 10 activations a day

###### ZigBee radio technology frequency: 2.4 GHz to 2.4835 GHz

Wireless mesh network, self-adaptive and secure (AES 128), conforming to standard IEEE 802.15.4 (LR-WPAN)  
Power level: REC 70-03 < 20 dBm

##### ■ 6.6 Climate characteristics

Storage temperature: 0° C to + 45° C  
Usage temperature: +5° C to + 45° C

#### 7. CARE

Clean the surface with a cloth.  
Do not use acetone, tar-removing cleaning agents or trichloroethylene.  
Resistant to the following products: Hexane (EN 60669-1), methylated spirit, soapy water, diluted ammonia, bleach diluted to 10%, window-cleaning products, pre-impregnated wipes.

**Caution:** Always test before using special cleaning products.



Take care to recycle the battery appropriately.

#### 8. STANDARDS AND APPROVALS

The undersigned, LEGRAND, declares that the radio-electric equipment type (5 742 09/18/27/36) complies with directive 2014/53/EU. The full text of the EU declaration of conformity is available on the following website: [www.legrandoc.com](http://www.legrandoc.com)