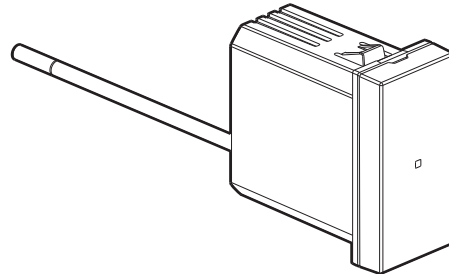


Arteor™
Connected socket module

Cat. No(s): 5 742 00/19/28/37



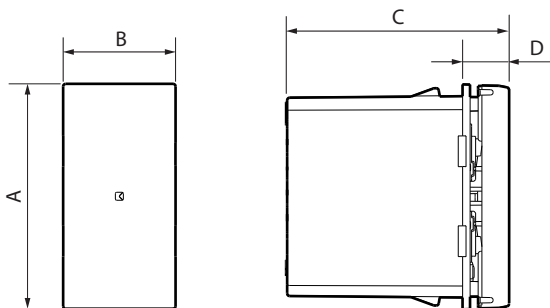
1. USE

Connected socket module which can be controlled by a wireless lighting control and/or remotely via a smartphone, tablet or computer. Can be used to measure instantaneous and total consumption of the connected device, which can be viewed on the Home + Control app. Built-in protection against electrical overloads, for increased safety. Installation in box 40 mm deep (minimum), instead of a standard socket outlet. Claws and/or screws fixing.

2. RANGE

Description	White	Champagne	Magnesium	Soft Alu
Connected socket module with neutral. With activity and identification LED indicator and RESET button (hidden) used to return to factory settings. Supplied with cover plate.	5 742 00	5 742 37	5 742 28	5 742 19

3. DIMENSIONS (mm)

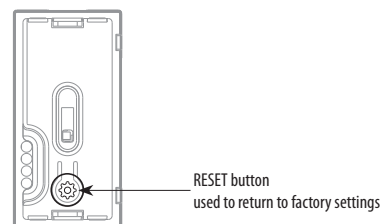
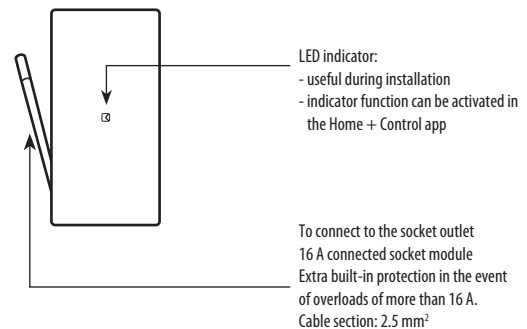


A	B	C	D
45	22.5	45	10

4. CONNECTION

Terminal type: with screws
 Terminal capacity: 2 x 2.5 mm²
 Stripping length: 7 mm

5. OPERATION



6. TECHNICAL CHARACTERISTICS *(continued)*

■ 6.1 Mechanical characteristics

Protection against impacts: IK 04

Protection against solid bodies and/or liquids: IP 41 mounted product

■ 6.2 Material characteristics

Rocker plate: ABS White RAL 9003

ABS Champagne painted

ABS Magnesium painted

ABS Soft Alu painted

Mechanism casing: PC

Halogen-free

UV resistant

Self-extinguishing:

850° C / 30 s for insulating parts holding live parts in place.

650° C / 30 s for the other insulating components.

■ 6.3 Electrical characteristics

Voltage: 110/230 V~

Current: 16 A

Power: 3680 W max.

Frequency: 50/60 Hz

Standby consumption: 0.1 mA

Delivered pre-wired 2.5 mm².

Cable length: 10 cm (cut phase)

Zigbee technology 2.4 GHz to 2.4835 GHz

Power level: < 100 mW

Range: 200 m of unobstructed space between 2 wired products

10 m between products indoors

■ 6.4 Climate characteristics

Storage temperature: 0° C to + 45° C

Usage temperature: + 5° C to + 45° C

7. CARE

Clean the surface with a cloth.

Do not use acetone, tar-removing cleaning agents or trichloroethylene.

Resistant to the following products: Hexane (EN 60669-1), methylated spirit, soapy water, diluted ammonia, bleach diluted to 10%, window-cleaning products, pre-impregnated wipes.

Caution: Always test before using special cleaning products.

8. STANDARDS AND APPROVALS

Compliant with installation and manufacturing standards.

See e-catalogue.

The undersigned, LEGRAND, declares that the radio-electric equipment type (5 742 00/19/28/37) complies with directive 2014/53/EU.

The full text of the EU declaration of conformity is available on the following website: www.legrandoc.com