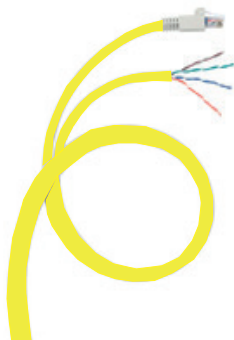


Cat.6A LSZH RJ45/STRIPPED cords

Catalogue numbers: 0 517 86/87/88



1. USE

Cat.6A RJ 45/wire (single-core cable) cords for S/FTP zone distribution box.

Clip into zone distribution boxes and connect to the LCS² connector on an RJ 45 socket via the stripped end.

Cords prepared in factory, "ready for wiring".

Cords wired according to method T568B.

Yellow RAL 1018



Compatible remote powering "PoE" up to 100w (IEEE 802.3af, IEEE 802.3at, IEEE 802.3bt) when installed according to standards ISO/IEC 14763-2 (final draft) and/or and EN 50174-2:2018

2. RANGE

Cat. Nos.	Length (m)	Type	Type of sleeve
0 517 86	8	S/FTP	LSZH
0 517 87	15		
0 517 88	20		

3. CORD MARKINGS

- LEGRAND
- Catalogue number
- Gauge
- Type
- Impedance
- Type of sleeve
- Category

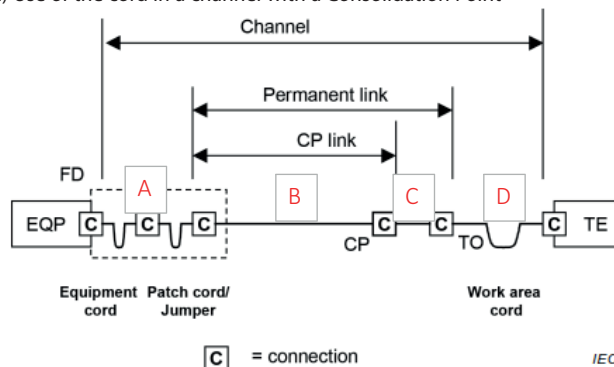
4. PERFORMANCE

4.1 Normatives performance at 20°C:

The following tables show the maximum distances allowed depending on the configurations.

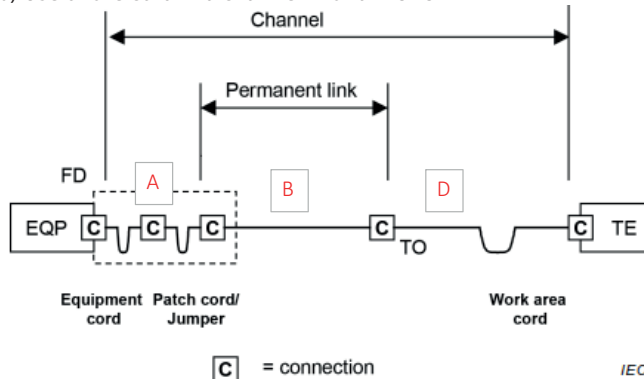
Both cross connect and interconnect are allowed.

a) Use of the cord in a channel with a Consolidation Point



CP Cord (C)	Maximum PL (B)	TR Cord(s) (A)	Work Area Cord (D)	Total Channel
8 m	74 m	5 m	5 m	92 m
15 m	63 m	5 m	5 m	88 m
20 m	56 m	5 m	5 m	86 m

b) Use of the cord in a channel with a MUTOA



The use of these cords for a MUTOA channel is not possible

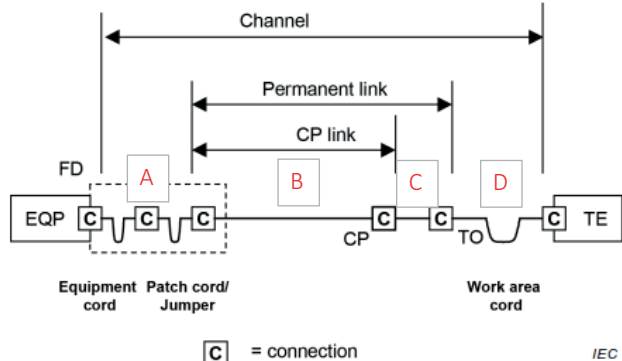
4.2 Legrand PoE for RP3 compliance

For PoE compliant cabling of Type RP3 according to ISO/IEC 14763 and EN 50174-2, follow the LCS³ PoE guidelines and the maximum distances in the 2 options below:

4.2.1 Legrand PoE compliance for all configurations (Version 3 in the LCS³ PoE Guidelines).

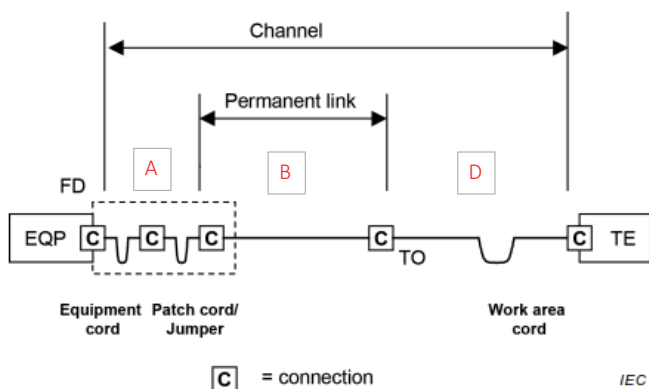
In order to allow all standard compliant configurations, then the distance limits shown below should be followed. Both cross connect and interconnect are allowed.

a) Use of the cord in a channel with a Consolidation Point



	CP Cord (C)	Maximum PL (B)	TR Cord(s) (A)	Work Area Cord (D)	Total Channel
Shielded Systems	8 m	69 m	5 m	5 m	87 m
	15 m	59 m	5 m	5 m	84 m
	20 m	51 m	5 m	5 m	81 m
Unshielded Systems	8 m	65 m	5 m	5 m	83 m
	15 m	54 m	5 m	5 m	79 m
	20 m	47 m	5 m	5 m	77 m

b) Use of the cord in a channel with a MUTOA



The use of these cords for a MUTOA channel is not possible

4.2.2 Legrand PoE compliance for optimized distance (Version 2 in the LCS³ PoE Guidelines)

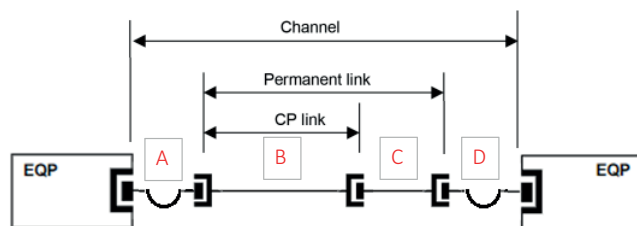
If the objective is to optimize the channel length, then the distance limits below can be used.

Conditions:

Only interconnect is allowed.

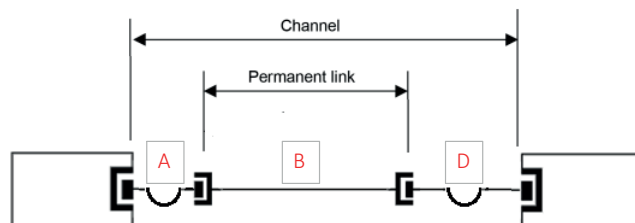
The equipment cord is maximum 2m.

a) Use of the cord in a channel with a Consolidation Point



	CP Cord (C)	Maximum PL (B)	Equipment Cord (A)	Work Area Cord (D)	Total Channel
Shielded Systems	8 m	75 m	2 m	5 m	90 m
	15 m	64 m	2 m	5 m	86 m
	20 m	57 m	2 m	5 m	84 m
Unshielded Systems	8 m	70 m	2 m	5 m	85 m
	15 m	60 m	2 m	5 m	82 m
	20 m	52 m	2 m	5 m	79 m

b) Use of the cord in a channel with a MUTOA



The use of these cords for a MUTOA channel is not possible

For PoE standard installations non-compliant with LCS³ PoE guidelines, contact Legrand technical support to obtain adjusted distances according to temperature.

Performance in the system at 500 MHz (standard 11801 PL3 Class E ₃)	
Attenuation (dB)	42.1
Minimum NEXT (dB)	27.8
PS NEXT (dB)	24.8
ACR-F (dB)	10.2
PS ACR-F (dB)	7.2
Return Loss (dB)	8

5. TECHNICAL AND MECHANICAL CHARACTERISTICS

Type	S/FTP
Type of sleeve	LSZH
Number of pairs	4
Assembly	Pairs
Diameter over insulation (mm)	0.95
Cable diameter (mm)	6
AWG gauge	26
Min. bending radius when laying (mm)	24
Tensile strength of the cord	≥ 50N
Number of twists	500
Number of insertions	750

6. ELECTRICAL CHARACTERISTICS AT 20°C

Loop resistance	< 10 Ω
Contact resistance	< 20 mΩ
Total resistance of the cord	< 10 Ω
Resistance per 100 m of cable with cords	< 25 Ω
DC dielectric strength	1 KV/1 min
Characteristic impedance from 1 to 500 MHz	100 Ω ± 25

7. ENVIRONMENTAL CHARACTERISTICS

Storage and transport temperature: 0 to + 50°C

Operating temperature: - 20 to + 60°C

Fire resistance: IEC 60332-1, UL VW-1

8. STANDARDS AND APPROVALS

ISO/IEC 11801 series

ANSI/TIA-568 series

EN 50173 series

IEEE 802.3bt : "PoE++"