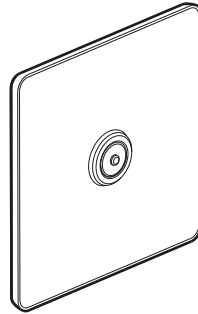


Synergy™ Cord outlets Sleek design

Cat. No(s): 8 320 52 - 8 322 52 - 8 324 52



1. USE

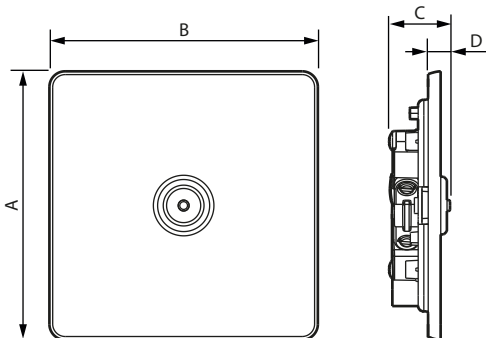
Cord outlets, sleek design.
 For flush-mounting.
 Fixing with screws.

2. RANGE

Cord outlets 1 gang

8 320 52	● Brushed stainless steel
8 322 52	● Polished stainless steel
8 324 52	● Glossy gold

3. OVERALL DIMENSIONS (mm)



Cat. Nos	A	B	C	D
8 32x 52	86	86	19.5	7

4. TECHNICAL CHARACTERISTICS

■ 4.1 Mechanical characteristics

Impact tests: IK 01
 Penetration by solid bodies/liquids: IP 20

■ 4.2 Material characteristics

Plate:
 - BSS: austenitic Brushed Stainless Steel - non magnetic - grade 304 L
 - PSS: Polished Stainless Steel + rust resistance
 - GG: Stainless Steel + rust resistance
 Halogen free
 UV resistant

Self-extinguishing:

- + 850° C / 30 s for insulating parts holding live parts in place.
- + 650° C / 30 s for other parts made of insulating materials.

■ 4.4 Climatic characteristics

Storage temperature: - 10° C to + 70° C
 Use temperature: - 5° C to + 35° C

5. CLEANING

Clean the surface with a cloth.
 Do not use acetone, tar-removing cleaning agents or trichloroethylene.
 Resistance to the following cleaning substances:
 Hexane (EN 60669-1), Methylated spirit, Soapy water, Diluted ammonia, Diluted pure bleach 10%, Glass cleaning product.

Caution: An initial test is required for the use of other special maintenance products.

6. STANDARDS AND APPROVALS

Compliance with standards of installation and manufacturing.
 See e.catalogue.