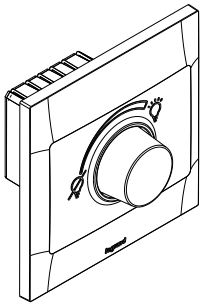
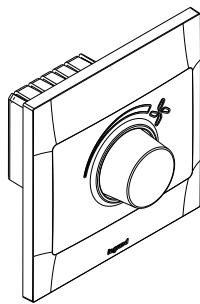


Belanko™ S Dimmer/Fan control switch

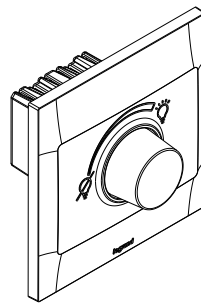
Cat. No(s): 6 17X 31/33/35



6 17X 31



6 17X 33



6 17X 35

CONTENTS

1. Use.....	1
2. Range.....	1
3. Preparation.....	1
4. Overall dimensions.....	1
5. Connection.....	2
6. Technical characteristics.....	2
7. Cleaning.....	2
8. Conformity - Approvals.....	2

1. USE

Light and fan control mechanisms.
(Supplied with M3.5 screws for BS boxes. Flush mounting.)

2. RANGE

	Designation	Cat. No.	Weight(g)
	500W ROTARY DIMMER	6 17X 31	109.1
	FAN CONTROL	6 17X 33	109.1
	UNIVERSAL 300 W ROT. DIM.	6 17X 35	106.6

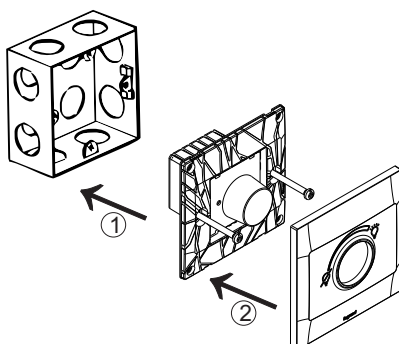
Colours

- Front: white/anthracite/ivory
- Rear: grey
- 6 176 XX White
- 6 177 XX Anthracite
- 6 178 XX Ivory

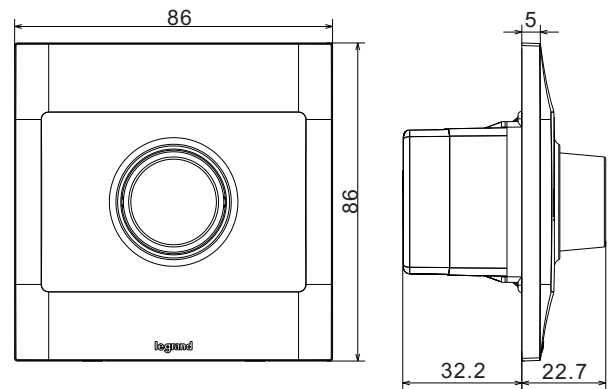
3. PREPARATION

3.1 General preparation

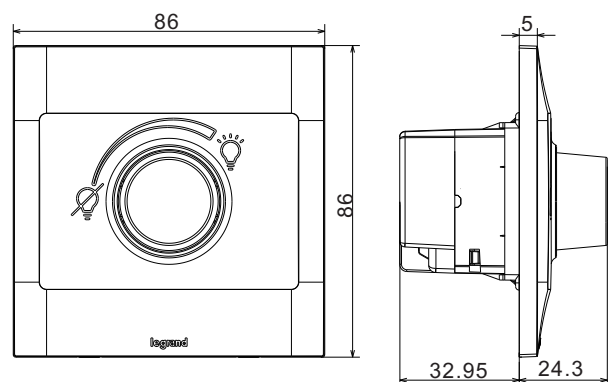
- Flushing mounting box:



4. OVERALL DIMENSIONS



500W Rotary Dimmer/Fan Control



300W Rotary Dimmer

Profile Size: 86 X 86mm
Distance of installation hole: 60.3 mm
Minimum depth of the box > 35 mm

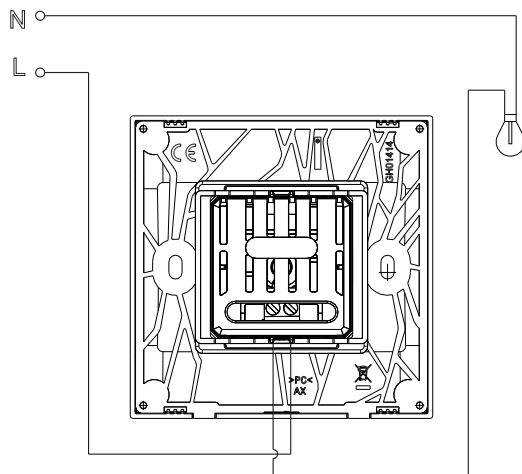
5. CONNECTION

5.1 Terminals

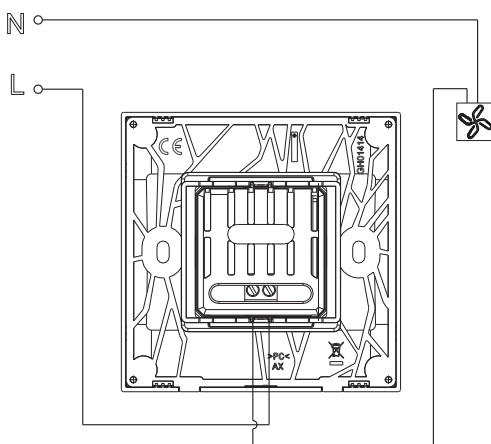
Terminal capacity: 4 X 1 mm²
 3 X 1.5 mm²
 2 X 2.5 mm²
 1 X 4 mm²

Recommended screwdriver size: <4 mm flat blade
 Recommended stripping length: 8 mm

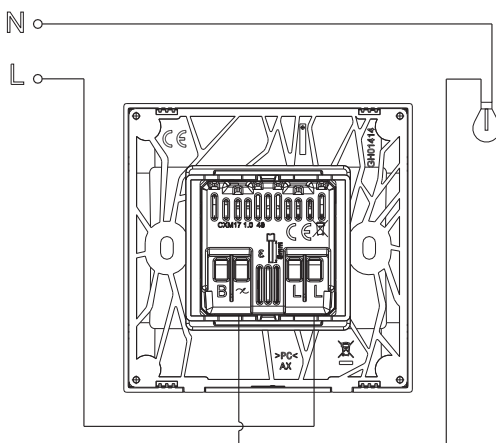
5.2 Circuit diagrams



6 17X 31



6 17X 33



6 17X 35

6. TECHNICAL CHARACTERISTICS

6.1 Material characteristics

Button: Polycarbonate
 Plate: Polycarbonate
 Frame: Polycarbonate
 Base: PC
 Self-extinguishing:
 + 850° C / 30 s for insulating parts holding live parts in place
 + 650° C / 30 s for other parts made of insulating materials

6.2 Electrical characteristics

500W Rotary Dimmer:
 Voltage: 200 - 240V~ 50/60Hz

	R	
Max	500W	
Min	60W	

Fan controller:
 Voltage: 200 - 240V~ 50/60Hz

		(M)
Max	400VA	
Min	40VA	

Universal 300W Rotary Dimmer:

	R		L		C/L		C	L	
240V~ 50Hz	5...300 W		5... 300 VA		5... 300 VA	5... 200 VA	5...75 W <= 10 x	5...200W <= 10 x	5...75 W <= 10 x
100V~ 60Hz	5...150 W		5... 150 VA		5... 150 VA	5... 100 VA	5...37 W <= 10 x	5...100W <= 10 x	5...37 W <= 10 x

6.3 Climatic characteristics

Storage temperatures: -10° C to +70° C
 Operating temperatures: -5° C to +50° C

6.4 Mechanical characteristics

Impact test: IK04
 Protection against solids & liquids: IP20

7. CLEANING

Surface cleaning with a soft, slightly damp cloth.
 Do not use: acetone, tar remover, trichloroethylene

8. CONFORMITY - APPROVALS

Conform to IEC 60669-2-1, EN 60669-2-1.