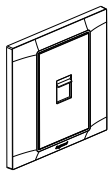
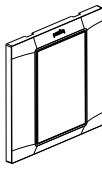


Belanko™ S Access

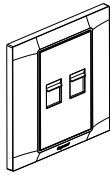
Cat. No(s): 6 17X 17/28/34/37/39/99



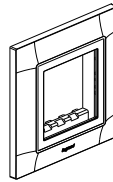
6 17X 17



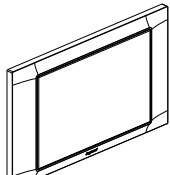
6 17X 28



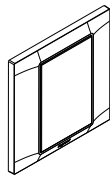
6 17X 34



6 17X 37



6 17X 39



6 17X 99

CONTENTS

1. Use.....	1
2. Range.....	1
3. Preparation.....	1
4. Overall dimensions.....	2
5. Technical characteristics.....	2
6. Cleaning.....	2
7. Conformity - Approvals.....	2

1. USE

Decoration and reserve for future use.
(Supplied with M3.5 screws for BS boxes. Flush mounting or surface mounting.)

2. RANGE

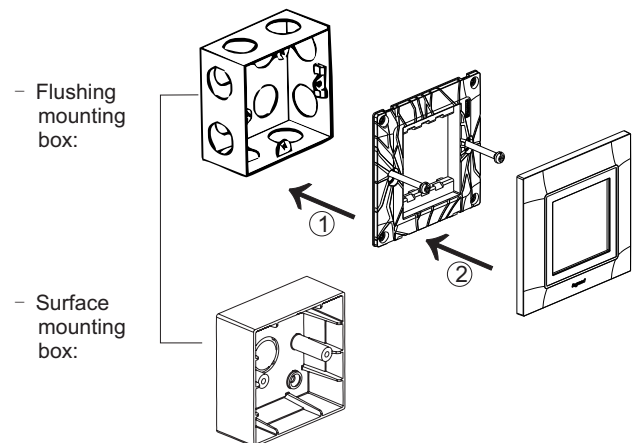
	Designation	Cat. No.	Weight(g)
	1G PLATE 1X KEY-STONE ADAPT	6 17X 17	31.6
	BLANKING PLATE 1G WH	6 17X 28	32.6
	1G PLATE 2X KEY-STONE ADAPT	6 17X 34	21.3
	1G ADAPTOR ARTEOR 2M WH	6 17X 37	29.7
	BLANKING PLATE 2G WH	6 17X 39	49.4
	TELEPHONE CONNECTION BLOCK	6 17X 39	69.2

Colours

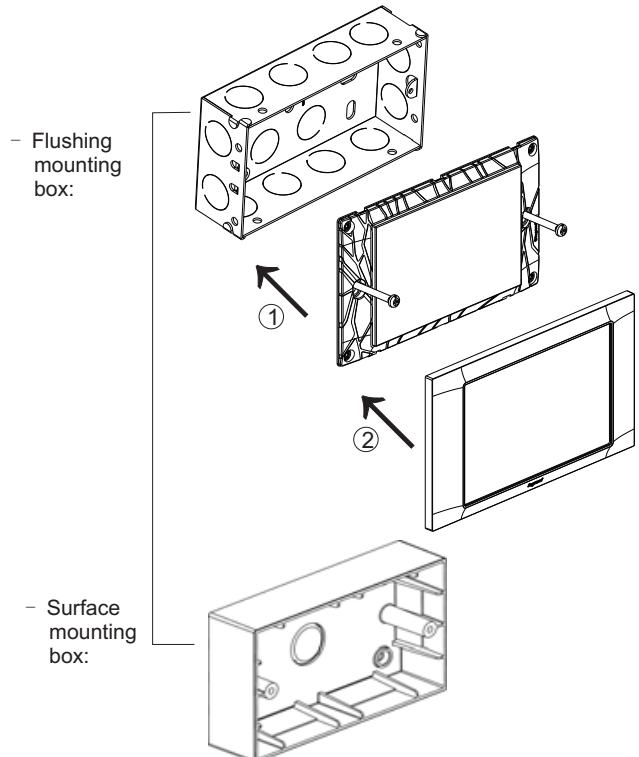
-Front: white/anthracite/ivory
6 176 XX White
6 177 XX Anthracite
6 178 XX Ivory

3. PREPARATION

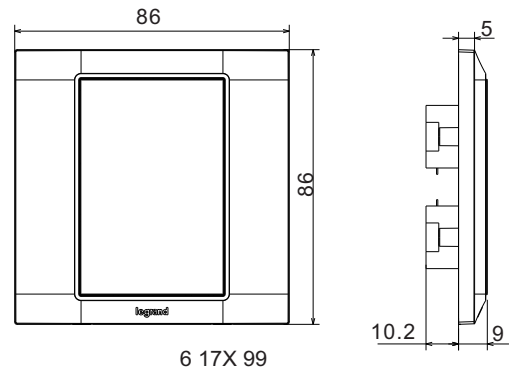
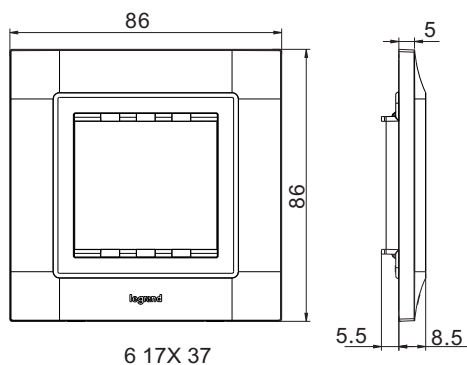
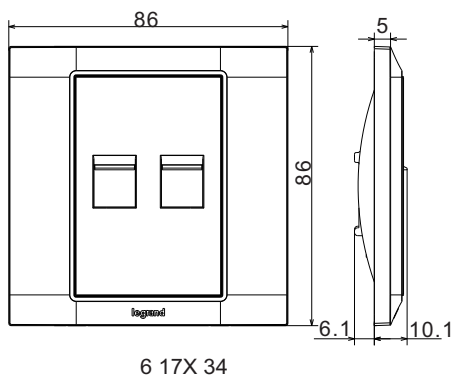
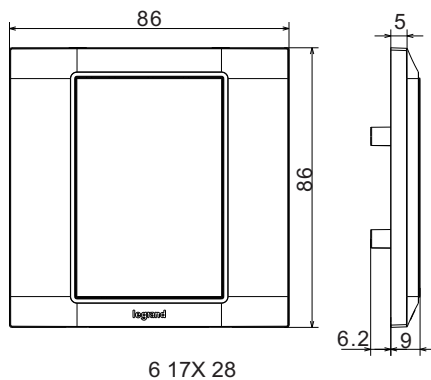
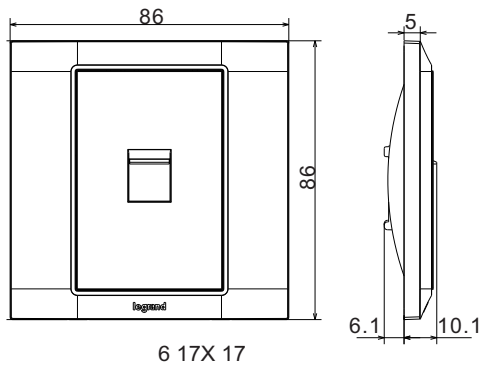
3.1 General preparation for 1G plate



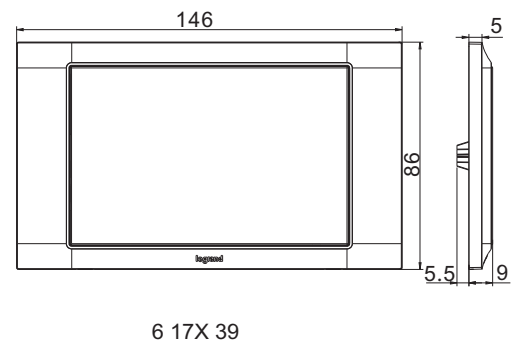
3.2 Preparation for Blank plate 2G



4. OVERALL DIMENSIONS



Profile Size: 86×86mm
Distance of installation hole: 60.3 mm
Minimum depth of the box>35 mm



Profile Size: 146×86mm
Distance of installation hole: 120.6 mm
Minimum depth of the box>35 mm

5. TECHNICAL CHARACTERISTICS

5.1 Material characteristics

Cover: Polycarbonate
Plate: Polycarbonate
Frame: Polycarbonate
Self-extinguishing:
+ 850° C / 30 s for insulating parts holding live parts in place
+ 650° C / 30 s for other parts made of insulating materials

5.2 Climatic characteristics

Storage temperatures: -10°C to +70°C
Operating temperatures: -5°C to +50°C

5.3 Mechanical characteristics

Impact test: IK04
Protection against solids & liquids: IP20

6. CLEANING

Surface cleaning with a soft, slightly damp cloth.
Do not use: acetone, tar remover, trichloroethylene

7. CONFORMITY - APPROVALS

Comply with installation and manufacturing standards.
Refer to e-catalogue.