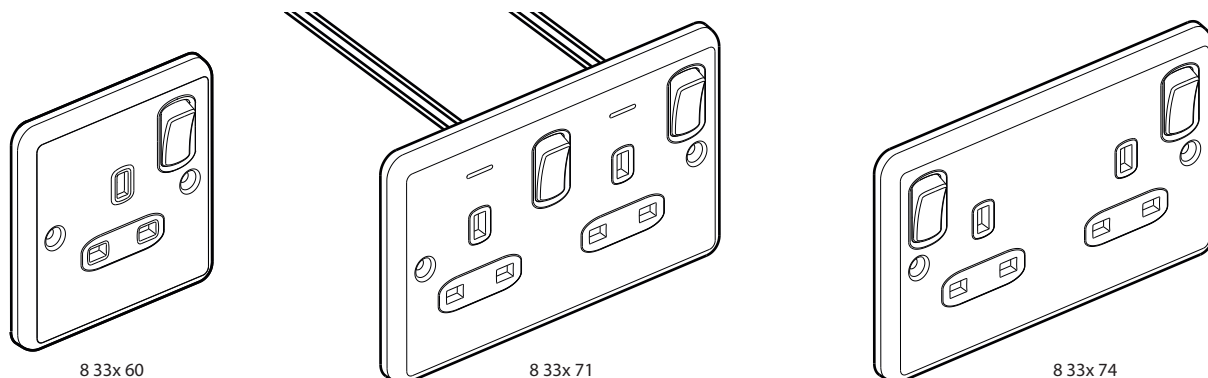


Synergy™
Double pole socket outlets 13 A
Authentic

Cat. No(s): 8 330 60/61/70/71/74 - 8 332 60/61/70/71/74
 8 334 60/61/70/71/74



1. USE

British standard double pole socket outlets, switched, complete delivered, with compact mechanisms for maximum wiring space and slim front plates.

With safety shutters.

For flush-mounting, back box to be min. 35 mm deep.

Fixing with screws.

2. RANGE

One-gang switched

8 330 60	● Brushed stainless steel
8 332 60	● Polished stainless steel
8 334 60	● Glossy gold

One-gang switched + blue LED power indicators

8 330 61	● Brushed stainless steel
8 332 61	● Polished stainless steel
8 334 61	● Glossy gold

Two-gang switched

8 330 70	● Brushed stainless steel
8 332 70	● Polished stainless steel
8 334 70	● Glossy gold

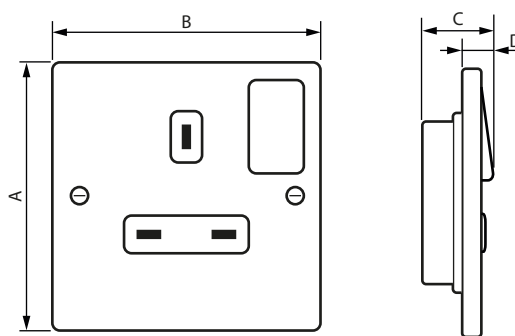
Two-gang switched + blue LED power indicator

8 330 71	● Brushed stainless steel
8 332 71	● Polished stainless steel
8 334 71	● Glossy gold

Two-gang switched outboard for standard and clean earth applications

8 330 74	● Brushed stainless steel
8 332 74	● Polished stainless steel
8 334 74	● Glossy gold

3. OVERALL DIMENSIONS (mm)



Cat. Nos	A	B	C	D
8 33x 60/61	86	86	31.5	10.5
8 33x 70/71/74	86	146	30	10.5

4. CONNECTION

Type of terminals : with screws

Terminal capacity: 3 x 2.5 mm² - 2 x 4 mm² - 2 x 6 mm²

Stripping length: 12 mm

Compatible with flexible or rigid cables.

5. TECHNICAL CHARACTERISTICS

■ 5.1 Mechanical characteristics

Impact tests: IK 01

Penetration by solid bodies/liquids: IP 20

■ 5.2 Material characteristics

Rocker and plate:

- BSS: austenitic Brushed Stainless Steel - non magnetic - grade 304 L

- PSS: Polished Stainless Steel + rust resistance

- GG: Stainless Steel + rust resistance

Mechanism housing: PC

Halogen free

UV resistant

Self-extinguishing:

+ 850° C / 30 s for insulating parts holding live parts in place.

+ 650° C / 30 s for other parts made of insulating materials.

5. TECHNICAL CHARACTERISTICS *(continued)*

■ 5.3 Electrical characteristics

Voltage: 250 V~

Current: 13 A

Frequency: 50/60 Hz

■ 5.4 Climatic characteristics

Storage temperature: - 10° C to + 70° C

Use temperature: - 5° C to + 35° C

6. CLEANING

Clean the surface with a cloth.

Do not use acetone, tar-removing cleaning agents or trichloroethylene.

Resistance to the following cleaning substances:

Hexane (EN 60669-1), Methylated spirit, Soapy water, Diluted ammonia, Diluted pure bleach 10%, Glass cleaning product.

Caution: An initial test is required for the use of other special maintenance products.

7. STANDARDS AND APPROVALS

Compliance with standards of installation and manufacturing.
See e.catalogue.