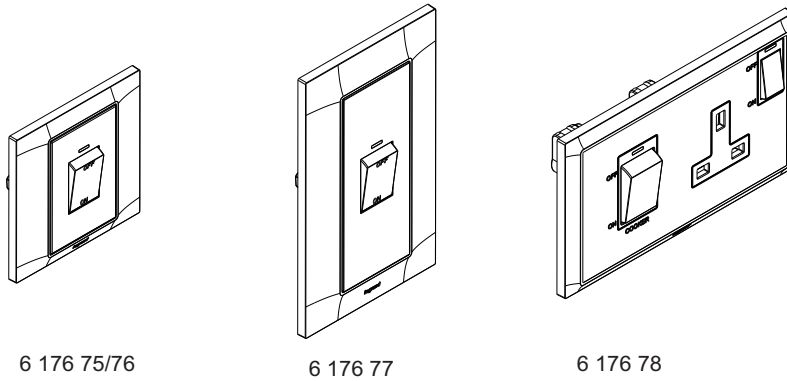


Belanko™ S 45A DP Switches

Cat. No(s): 6 17X 75/76/77/78



CONTENTS

- 1. Use.....1
- 2. Range.....1
- 3. Preparation.....1
- 4. Overall dimensions.....2
- 5. Connection.....2
- 6. Technical characteristics.....3
- 7. Cleaning.....3
- 8. Conformity - Approvals.....3

1. USE

High capacity double pole switches for the control of fixed appliances eg. cooker ovens, shower or air-conditioning units, Version available with LED "power on" indicator.
(Supplied with M3.5 screws for BS boxes. Flush mounting or surface mounting.)

2. RANGE

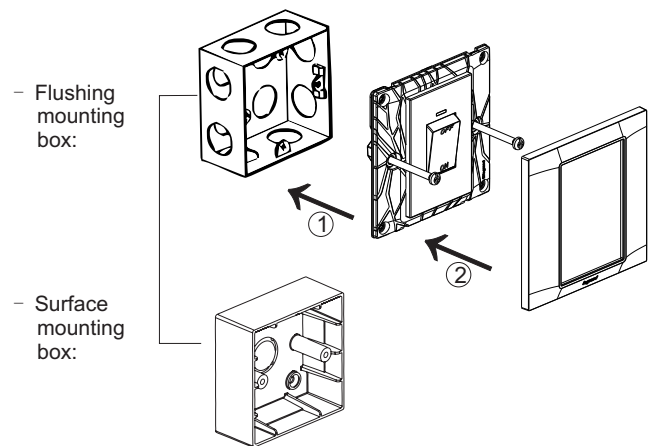
	Designation	Cat. No.	Weight(g)
	1G 45A DP SWITCH	6 17X 75	116.2
	1G 45A DP SWITCH + NEON	6 17X 76	116.3
	2G 45A DP SW + NEON VERT	6 17X 77	138.9
	2G 45A DP SWT 13A BS NE CK	6 17X 78	220.6

Colours

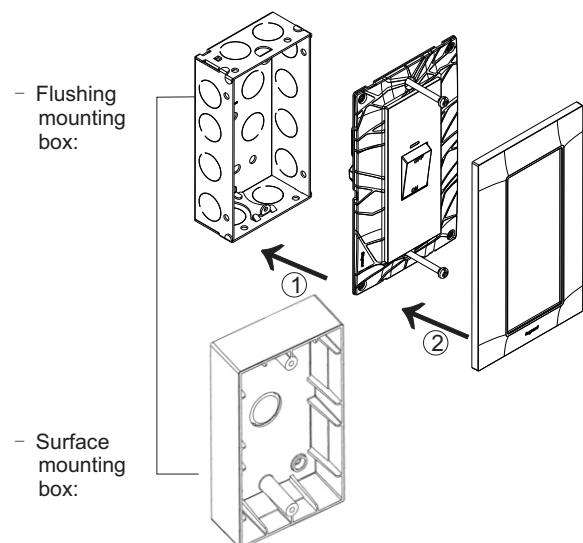
- Front: white/anthracite/ivory
- Rear: grey
- 6 176 XX White
- 6 177 XX Anthracite
- 6 178 XX Ivory

3. PREPARATION

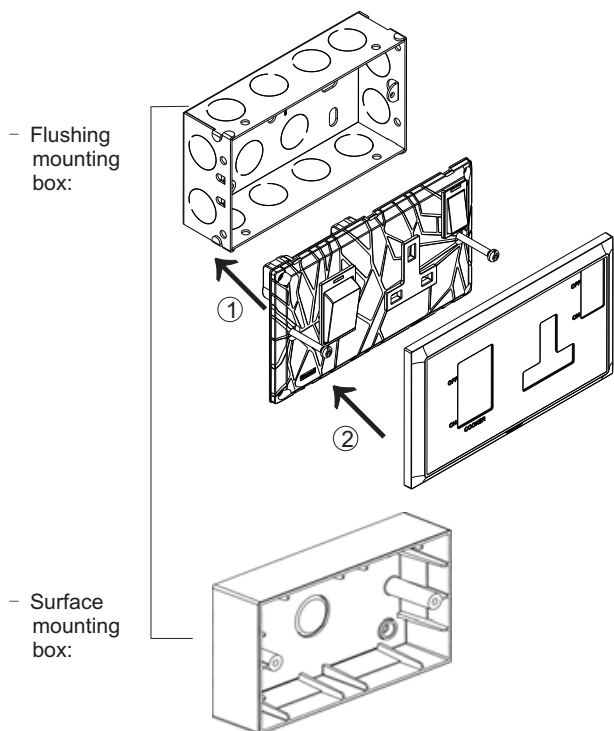
3.1 Preparation for 6 176 75/76



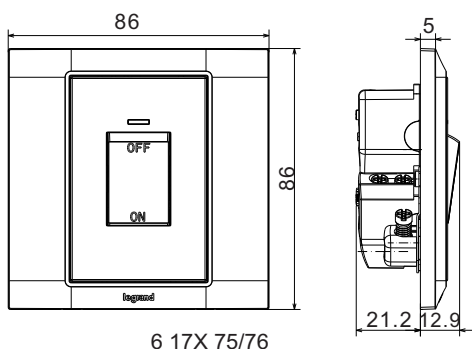
3.2 Preparation for 6 176 77



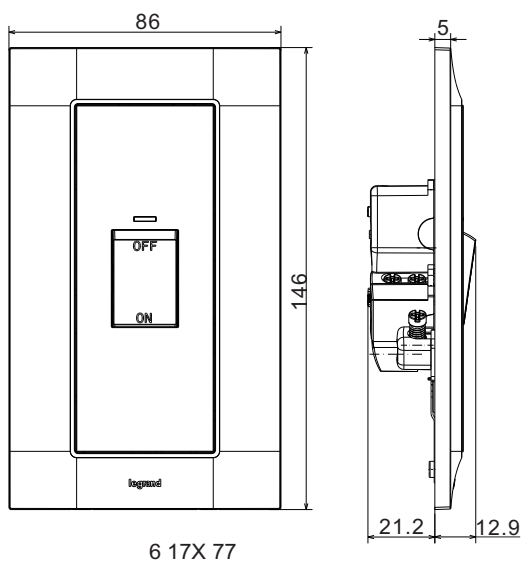
3.3 Preparation for 6 176 78



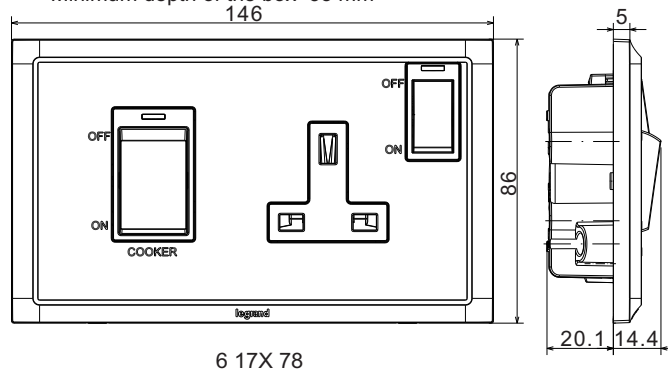
4. OVERALL DIMENSIONS



Profile Size: 86×86mm
Distance of installation hole: 60.3 mm
Minimum depth of the box>35 mm



Profile Size: 86×146mm
Distance of installation hole: 120.6 mm
Minimum depth of the box>35 mm



Profile Size: 146×86mm
Distance of installation hole: 120.6 mm
Minimum depth of the box>35 mm

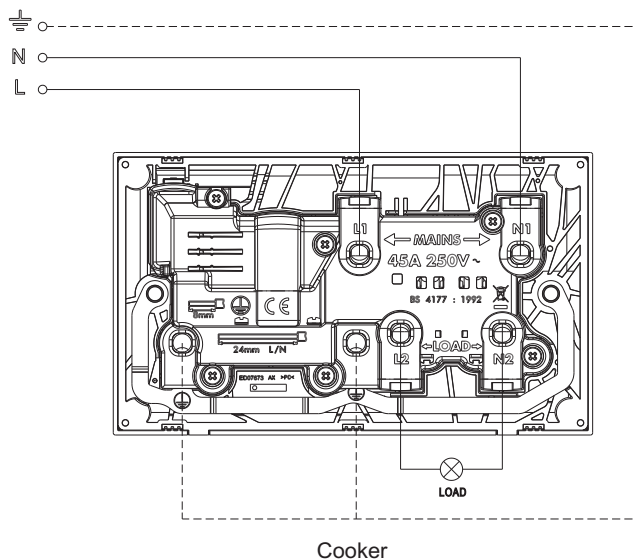
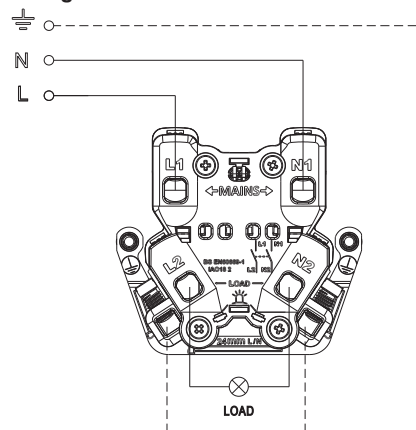
5. CONNECTION

5.1 Terminals

Terminal capacity: 2 X 6 mm²
1 X 10 mm²

Recommended screwdriver size: <4 mm flat blade
Recommended stripping length: 8 mm
Recommended terminal tightening torque: 0.5Nm

5.2 Circuit diagrams



6. TECHNICAL CHARACTERISTICS

6.1 Material characteristics

Rocker: Polycarbonate

Frame: Polycarbonate

Base: PC

Self-extinguishing:

+ 850° C / 30 s for insulating parts holding live parts in place

+ 650° C / 30 s for other parts made of insulating materials

6.2 Electrical characteristics

Voltage: 250V~

Current: 45A

6.3 Climatic characteristics

Storage temperatures: -10°C to +70°C

Operating temperatures: -5°C to +50°C

6.4 Mechanical characteristics

Impact test: IK04

Protection against solids & liquids: IP20

7. CLEANING

Surface cleaning with a soft, slightly damp cloth.

Do not use: acetone, tar remover, trichloroethylene

8. CONFORMITY - APPROVALS

Conform to BS EN 60669-1 ; MS/IEC 60669-1; BS4177.