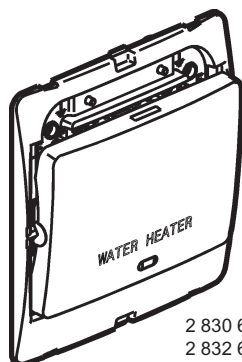


Mallia™ 20 AX switches DP dressable colour

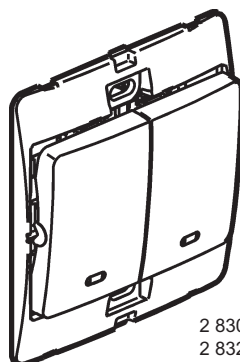
Cat. No(s): 2 830 60/61/62/65/66/67/68

2 832 60/61/62/65/66/67/68

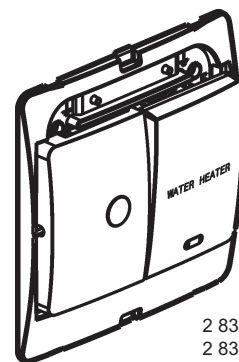
2 834 60/61/62/65/66/67/68



2 830 62/68
2 832 62/68
2 834 62/68



2 830 65
2 832 65
2 834 65





2 830 67
2 832 67
2 834 67

1. USE

General lighting control mechanisms with or without marking elements (indicator, light, label holder).

2. RANGE

| | Designation | Finishes | | | Connection method | Weight (g) | Characteristics |
|---|---|----------|----------|-------------|-------------------|------------|-----------------|
| | | Silver | Pearl | Dark Silver | | | |
|  | 1 gang 1 way switch | 2 830 60 | 2 832 60 | 2 834 60 | with screws | 79 | 20 AX - 250 VAC |
|  | 1 gang 1 way with LED indicator | 2 830 61 | 2 832 61 | 2 834 61 | with screws | 81 | 20 AX - 250 VAC |
|  | 1 gang 1 way with LED indicator "WATER HEATER" marking | 2 830 62 | 2 832 62 | 2 834 62 | with screws | 81 | 20 AX - 250 VAC |
|  | 2 gang 1 way with LED indicator | 2 830 65 | 2 832 65 | 2 834 65 | with screws | 113 | 20 AX - 250 VAC |
|  | 1 gang 1 way with LED indicator and cable outlet | 2 830 66 | 2 832 66 | 2 834 66 | with screws | 87 | 20 AX - 250 VAC |
|  | 1 gang 1 way with LED indicator and cable outlet "WATER HEATER" marking | 2 830 67 | 2 832 67 | 2 834 67 | with screws | 87 | 20 AX - 250 VAC |
|  | 1 gang 2 way with LED indicator "WATER HEATER" marking | 2 830 68 | 2 832 68 | 2 834 68 | with screws | 97 | 20 AX - 250 VAC |

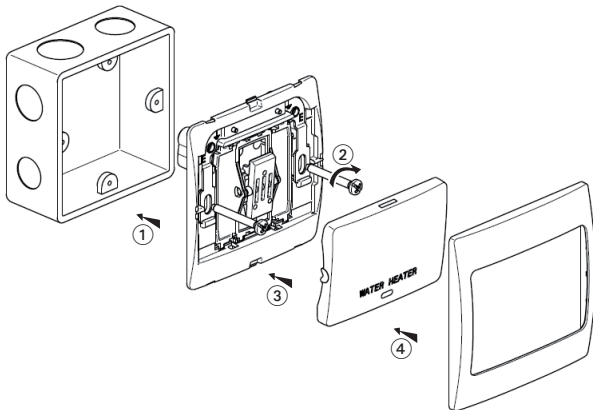
Mallia™

20 AX switches DP dressable colour

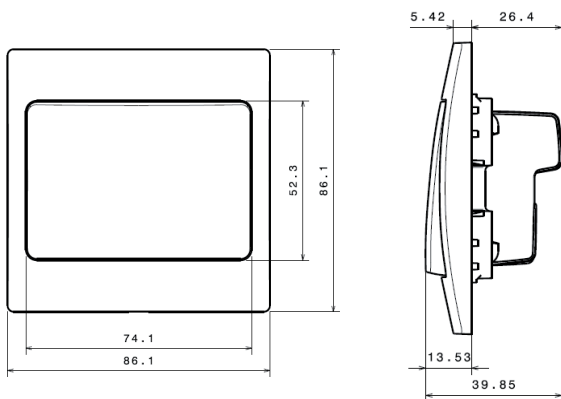
Cat. No(s): 2 830 60/61/62/65/66/67/68
 2 832 60/61/62/65/66/67/68
 2 834 60/61/62/65/66/67/68

3. PREPARATION

General preparation:



4. OVERALL DIMENSIONS



Profile size: 86 x 86 mm
 Distance of installation hole: 60.3 mm

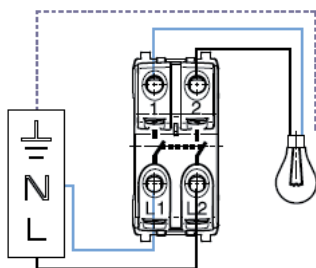
5. CONNECTION

5.1 Terminals

Terminal capacity: 3 x 2.5 mm²
 2 x 4.0 mm²
 1 x 6.0 mm²

Recommended screwdriver size: 4 mm flat blade
 Recommended terminal tightening torque: 0.5 Nm
 Stripping: 12 mm

5.2 Circuit diagrams



6. OPERATION

Switch mechanism (handling force 2 to 3 N).

7. TECHNICAL CHARACTERISTICS

7.1 Mechanical characteristics

Impact tests: IK04
 Protection against liquids: IP41

7.2 Material characteristics

Rocker: Polycarbonate
 Support: Polycarbonate
 Base: Polypropylene

7.3 Electrical characteristics

Self-extinguishing: 650°C / 30 s
 Voltage: 250 VAC
 Current: 20 AX

7.4 Climatic characteristics

Storage temperatures: - 10°C to + 70°C
 Operating temperatures: - 5°C to + 50°C

8. CLEANING

Surface cleaning with a soft, slightly damp cloth.
 Do not use: acetone, tar remover, trichloroethylene.

Résistance to the following cleaning agents:

Hexane (EN 60669-1), Methylated spirits, Soapy water, Diluted ammonia, Diluted pure bleach 10 %, Glass cleaning substance, Pre-impregnated wipes.

Caution: A preliminary test should be carried out if other specific cleaning products are to be used.

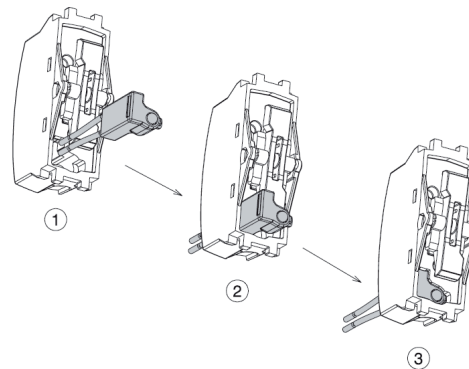
9. ACCESSORIES

9.1 Lamps for locator or indicator light

2 819 97: LED 220 V~, green - low consumption / 0.05 mA

2 819 98: LED 220 V~, red - high luminosity / 1 mA

Installation of LED:



9.2 Transparent rocker with label holders

2 819 95: 1-gang

2 819 96: 2-gang

