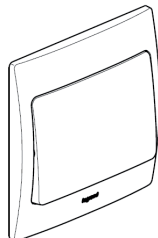
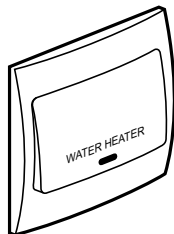


Mallia™ 20 AX switches DP complete white

Cat. No(s): 2 810 60/61/62/65/66/67/68



2 810 60



2 810 62




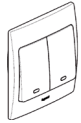
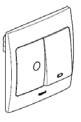




2 810 67

1. USE

General lighting control mechanisms with or without marking elements (indicator light, label holder).

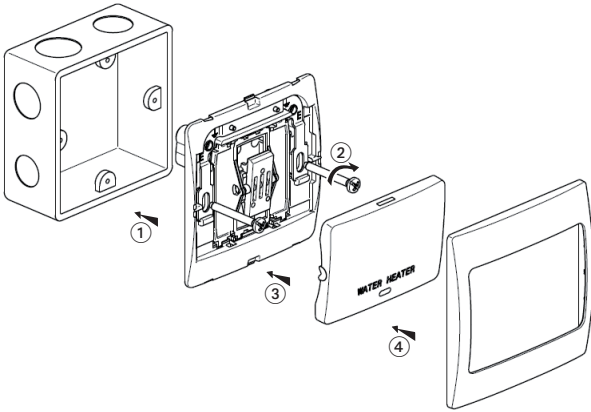
2. RANGE

	Designation	Cat. No.	Connection method	Weight (g)	Characteristics
	1 gang 1 way switch	2 810 60	with screws	91	20 AX - 250 VAC
	1 gang 1 way with LED indicator	2 810 61	with screws	93	20 AX - 250 VAC
	1 gang 1 way with LED indicator "WATER HEATER" marking	2 810 62	with screws	93	20 AX - 250 VAC
	2 gang 1 way with LED indicator	2 810 65	with screws	125	20 AX - 250 VAC
	1 gang 1 way with LED indicator and cable outlet	2 810 66	with screws	99	20 AX - 250 VAC
	1 gang 1 way with LED indicator and cable outlet "WATER HEATER" marking	2 810 67	with screws	99	20 AX - 250 VAC
	1 gang 2 way with LED indicator "WATER HEATER" marking	2 810 68	with screws	109	20 AX - 250 VAC

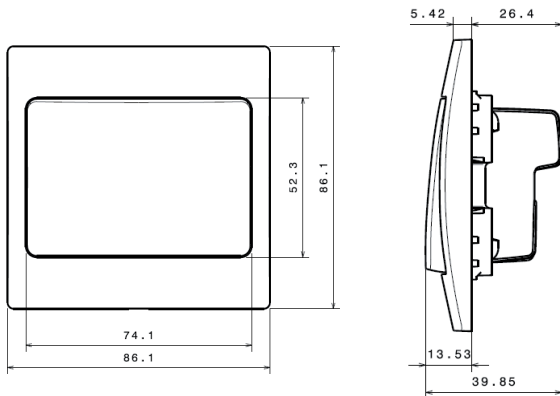
20 AX switches DP complete white

3. PREPARATION

General preparation:



4. OVERALL DIMENSIONS



Profile size: 86 x 86 mm
Distance of installation hole: 60.3 mm

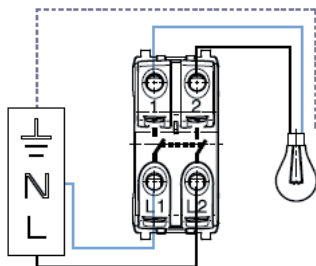
5. CONNECTION

5.1 Terminals

Terminal capacity: 3 x 2.5 mm²
2 x 4.0 mm²
1 x 6.0 mm²

Recommended screwdriver size: 4 mm flat blade
Recommended terminal tightening torque: 0.5 Nm
Stripping: 12 mm

5.2 Circuit diagrams



6. OPERATION

Switch mechanism (handling force 2 to 3 N).

7. TECHNICAL CHARACTERISTICS

7.1 Mechanical characteristics

Impact tests: IK04
Protection against liquids: IP41

7.2 Material characteristics

Rocker: Polycarbonate
Frame: Polycarbonate
Support: Polycarbonate
Base: Polypropylene

7.3 Electrical characteristics

Self-extinguishing: 650°C / 30 s
Voltage: 250 VAC
Current: 20 AX

7.4 Climatic characteristics

Storage temperatures: - 10°C to + 70°C
Operating temperatures: - 5°C to + 50°C

8. CLEANING

Surface cleaning with a soft, slightly damp cloth.
Do not use: acetone, tar remover, trichloroethylene.

Résistance to the following cleaning agents:

Hexane (EN 60669-1), Methylated spirits, Soapy water, Diluted ammonia, Diluted pure bleach 10 %, Glass cleaning substance, Pre-impregnated wipes.

Caution: A preliminary test should be carried out if other specific cleaning products are to be used.

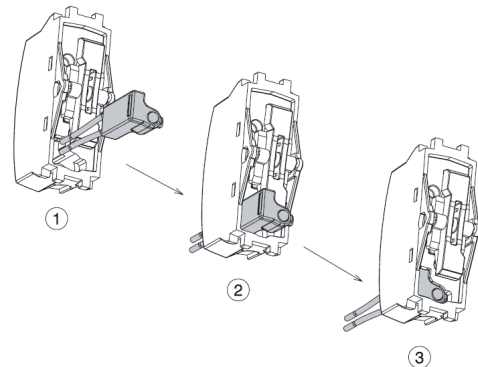
9. ACCESSORIES

9.1 Lamps for locator or indicator light

2 819 97: LED 220 V~, green - low consumption / 0.05 mA

2 819 98: LED 220 V~, red - high luminosity / 1 mA

Installation of LED:



9.2 Transparent rocker with label holders

2 819 95: 1-gang



2 819 96: 2-gang

