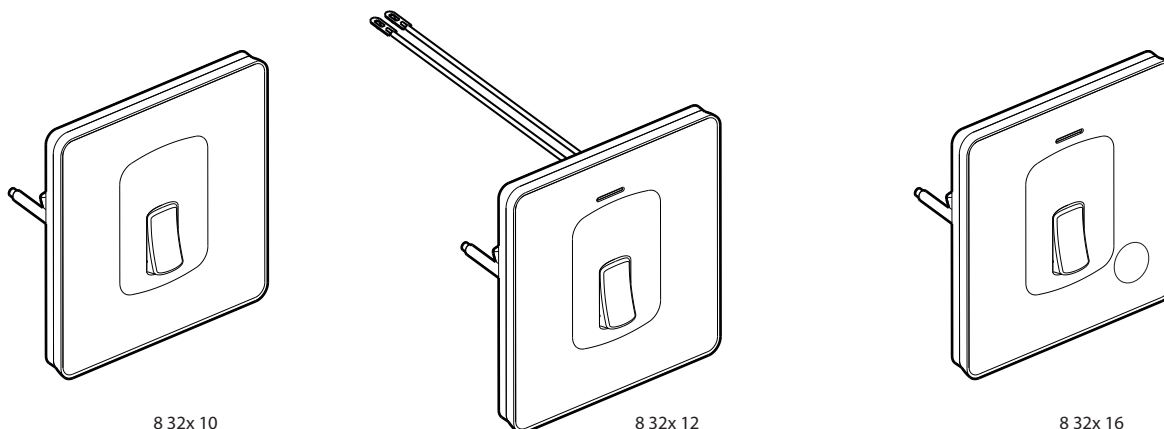


Synergy™ Double pole Switches 20 A - Sleek design

Cat. No(s): 8 320 10/12/16 - 8 322 10/12/16 - 8 324 10/12/16



1. USE

Lighting or fixed electrical appliance (eg. immersion heater) control switches complete delivered, with compact mechanisms for maximum wiring space and sleek design front plates.
 For flush-mounting, back box to be min. 35 mm deep.
 Supplied with 1-gang side extension (3 mm thick) Cat. No 8 321 98 to use with 25 mm flush-mounting box deep.
 Fixing with screws.

2. RANGE

Double pole switch

8 320 10	● Brushed stainless steel
8 322 10	● Polished stainless steel
8 324 10	● Glossy gold

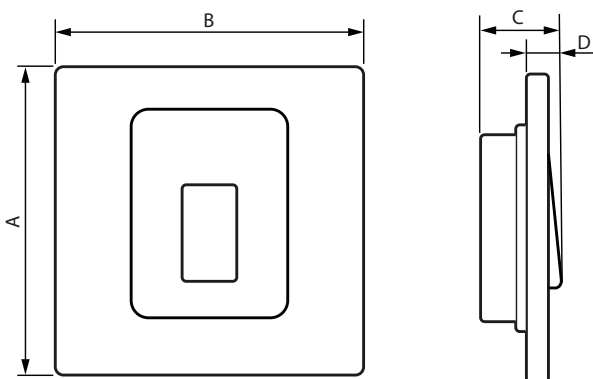
Double pole switch + blue LED power indicator

8 320 12	● Brushed stainless steel
8 322 12	● Polished stainless steel
8 324 12	● Glossy gold

Double pole switch + cord outlet + blue LED power indicator

8 320 16	● Brushed stainless steel
8 322 16	● Polished stainless steel
8 324 16	● Glossy gold

3. OVERALL DIMENSIONS (mm)



Cat. Nos	A	B	C	D
8 32x 10/12/16	86	86	32	8

4. CONNECTION

Type of terminals : with screws
 Terminal capacity:
 - Main: 3 x 2.5 mm² - 2 x 4 mm² - 1 x 6 mm²
 - Load: up to 6 mm²
 Stripping length: 12 mm
 Compatible with flexible or rigid cables

Flex outlet:

- 12.5 mm Ø flex outlet orifice in front plate
- Cable clamp capable of restraining circular section cable to BS 6500 having 2 x 0.5 mm² section conductors.

5. TECHNICAL CHARACTERISTICS

■ 5.1 Mechanical characteristics

Impact tests: IK 01
 Penetration by solid bodies/liquids: IP 2X

■ 5.2 Material characteristics

Rocker and plate:
 - BSS: austenitic Brushed Stainless Steel - non magnetic - grade 304 L
 - PSS: Polished Stainless Steel + rust resistance
 - GG: Stainless Steel + rust resistance
 Mechanism housing: Polycarbonate/Polypropylene
 Halogen free
 UV resistant

Self-extinguishing:

- + 850° C / 30 s for insulating parts holding live parts in place.
- + 650° C / 30 s for other parts made of insulating materials.

■ 5.3 Electrical characteristics

Voltage: 250 V~
 Current: 20 A
 Frequency: 50/60 Hz
 Contact clearance > 3 mm
 Maximum power on self ballasted lamp load (SBL, LED, CFL Compact Fluorescent Lamp): 250 W

■ 5.4 Climatic characteristics

Storage temperature: - 10° C to + 70° C
 Use temperature: - 5° C to + 35° C

6. CLEANING

Clean the surface with a cloth.

Do not use acetone, tar-removing cleaning agents or trichloroethylene.

Resistance to the following cleaning substances:

Hexane (EN 60669-1), Methylated spirit, Soapy water, Diluted ammonia, Diluted pure bleach 10%, Glass cleaning product.

Caution: An initial test is required for the use of other special maintenance products.

7. STANDARDS AND APPROVALS

Compliance with standards of installation and manufacturing.
See e.catalogue.