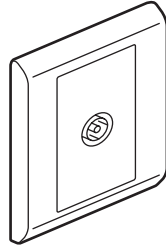
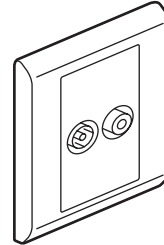


Belanko™ Television sockets

Cat. No(s): 6 171 20/21/23/24/27 - 6 6172 20
 6 173 20/21/23/24 - 6 174 20/21/23/24



6 171 21



6 171 23

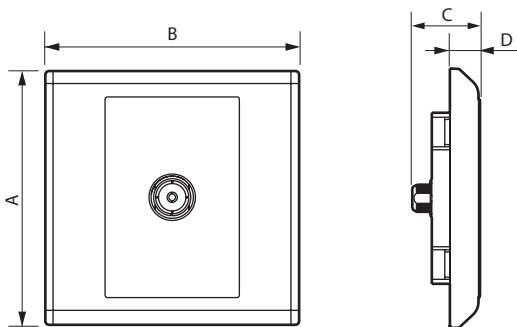
1. USE

Socket outlets for supplying TV signals (analogue or digital). Suitable for single or multi-outlet installations.
 Complete delivered.
 Supplied with 2 x M3.5 fixing screws for BS boxes.
 For flush-mounting or surface-mounting boxes.

2. RANGE

Description	White	Ivory	Dark Grey	Brown
Single TV socket, female	6 171 21	-	6 173 21	6 174 21
Single TV socket, "F" type	6 171 20	6 172 20	6 173 20	6 174 20
Double TV socket, female + "F" type	6 171 23	-	6 173 23	6 174 23
Double female TV socket	6 171 27	-	-	-
TV + RD Singapore	6 171 24	-	6 173 24	6 174 24

3. DIMENSIONS

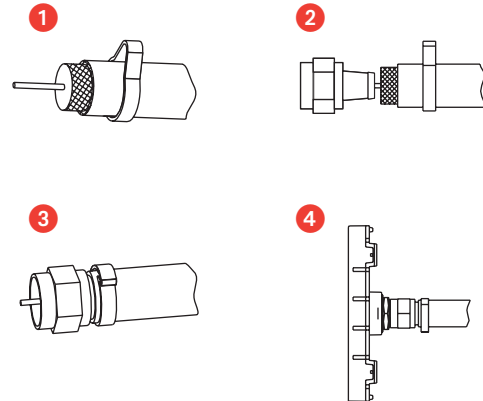


	A	B	C	D
6 17x 20/27	86	86	26.5	16
6 17x 21	86	86	22.5	10
6 17x 23	86	86	27	11
6 17x 24	86	146	38.5	19.5

Distance of installation hole: 60.3 mm

4. CONNECTION

Recommended screwdriver size: 4 mm flat blade



5. TECHNICAL CHARACTERISTICS

■ 5.1 Mechanical characteristics

Impact tests: IK 02
 Protection against solid bodies and liquids: IP 40

■ 5.2 Material characteristics

Thermoplastic with glossy finish (White, Ivory)
 Colour: White T084: PC
 Ivory: PC
 Dark Grey: PC painted
 Brown: PC painted

Halogen free
 UV resistant
 Self-extinguishing: 650° C / 30 s

■ 5.3 Electrical characteristics

Cat. No. 6 171 22

Dielectric withstand voltage (input or output signal line): 2 kV
 Frequency bandwidth: 5 - 860 Mhz
 Impedance: 75 Ohm

Cat. Nos. 6 171 20/22

Frequency bandwidth: 5 - 1000 Mhz
 Impedance: 75 Ohm

■ 5.4 Climatic characteristics

Storage temperature: - 10° C to + 70° C
 Operating temperature: - 5° C to + 35° C

6. CLEANING

Surface cleaning with a soft, slightly damp cloth.
Do not use: acetone, tar remover, trichloroethylene.

Maintenance with the following products: Hexane (EN 60669-1),
Methylated spirit, Soapy water, Diluted ammonia, Bleach diluted to 10%,
Window-cleaning products.

Caution: A preliminary test should be carried out if other specific
cleaning products are to be used.

7. STANDARDS AND APPROVALS

Compliance with standards of installation and manufacturing.
See e.catalogue.