

Pop up for furniture

Number(s) : 0 540 34/35/36 – 6 540 00 to 6 540 15



CONTENTS	PAGES
1.Range	1 to 2
2.Installation	3 to 9
3.Technical characteristics	10 to 11

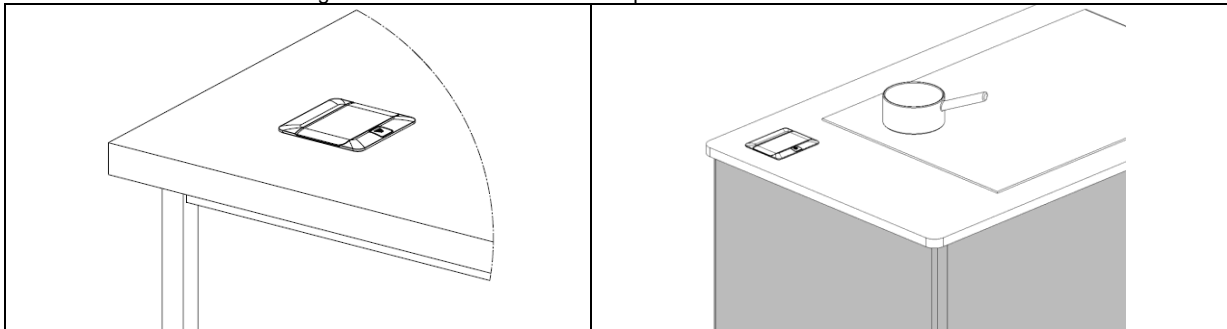
1 RANGE

- a solution to integrate wiring accessories in furniture (desk, meeting-rooms table, kitchen worktop)
- compatible with most Mosaic and Arteor functions (except saliant functions)
 - . power
 - . data Cat6
 - . audio/video

News :

- new button : ease of use
- no more locking on opened position
- delivered with protective film except for black finish
- delivered with installation kit

Installation on a desk or a meeting room table or on kitchen worktop



Composition of the installation kit :

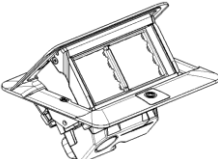
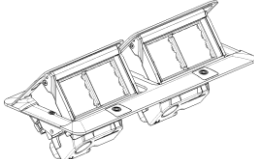
1 insulation casing	
1 kit of fixing supports	

➔ Use of installation kit is imperative to be compliant with installation standards

1. RANGE (continued)

1.1 Pop ups to be equipped

- delivered with :
- installation kit for furniture
 - frame for Mosaic and Arteor wiring devices


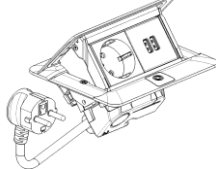
4 finishes :	Part Numbers	
	4 modules	8 (2x4) modules
		
Glossy white	6 540 01	6 540 04
Matt stainless steel	6 540 00	6 540 03
Matt black	6 540 02	6 540 05
Matt aluminium	6 540 14	6 540 15

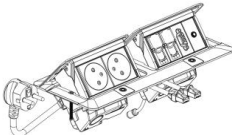
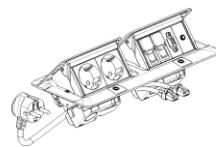
Please note that:

- to make insertion of elbow plugs easy, it is advised to install sockets at 90°
- unswitched british sockets mut be installed at 90°

1.2 Equipped Pop ups

- Delivered with :
- installation kit for furniture
 - Mosaic wiring devices

	Part Numbers 4 modules		Equipped with 1 socket 2P+E with 2m cord + double USB charger 2,4 mA
	French standard	German standard	
			
Glossy white	6 540 06	6 540 08	
Matt stainless steel	6 540 07	6 540 09	

	Part Numbers 8 (2x4) modules		Equipped with 2 sockets 2P+E with 2m cord + 2 RJ 45 sockets Cat6 UTP with 3m cord + HD 15 + 1 jack 3,5
			
Glossy white	6 540 10	6 540 12	
Matt stainless steel	6 540 11	6 540 13	

- pack by 1

Note : screws delivered with Pop-up.
16A 250 V~, 3680W at 230 V~ per circuit

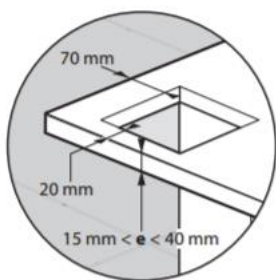
Performance and electrical characteristics of the USB charger : please refer to the data sheet of the USB charger ref. LG-077594

2. INSTALLATION

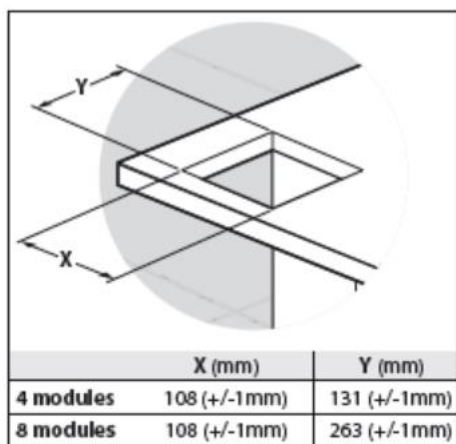
2.1 Location and drilling in the furniture



Mini distance from to the edges of the furniture :

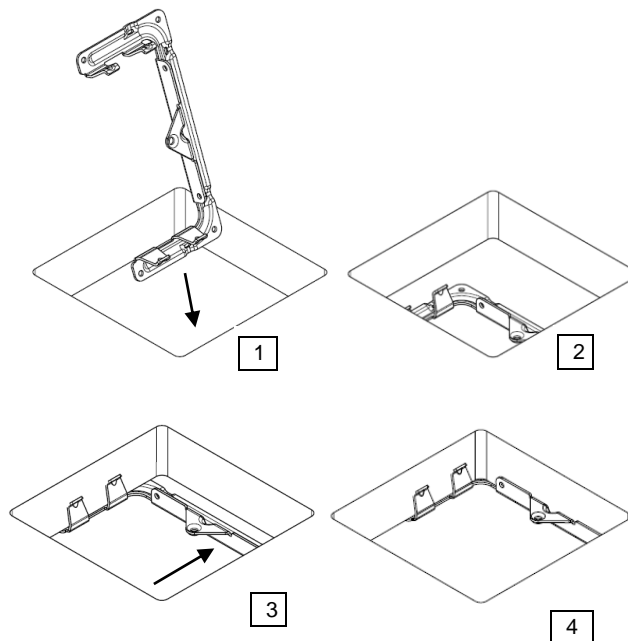


Dimensions of the cut-out :

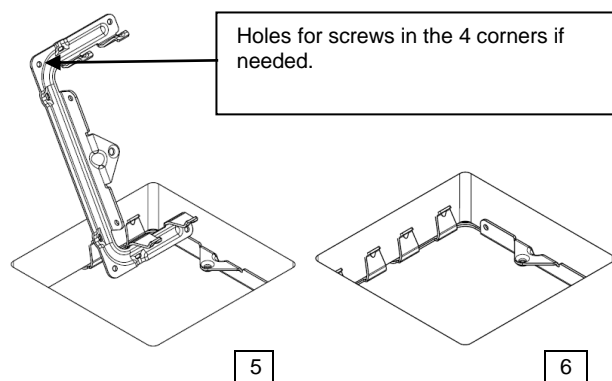


2. INSTALLATION (continued)

2.2 Positioning of the fixing supports



The claws of the support are positioned against the desk. If the cut-out is not properly done, screw the support in the corners

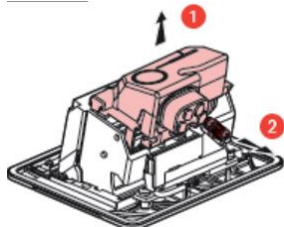


2. INSTALLATION (continued)

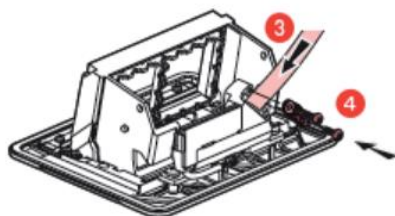
2.3 Installation of power sockets



a) Remove the insulation casing and unscrew the cable clamp (figures 1 et 2)



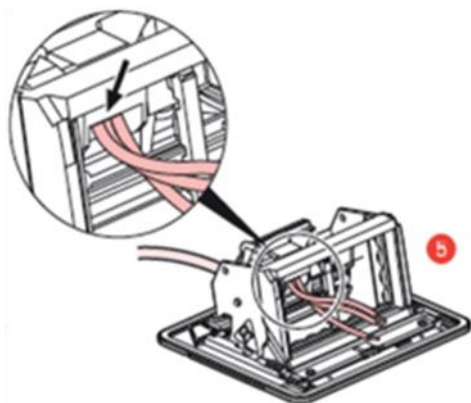
b) Insert the cable (flexible cable only) until the end stop (figure 3) then screw the cable clamp back (figure 4)



Wiring devices connection :

Type of terminals : automatic with side connections
 Number of terminals : 3 inputs – 3 outputs
 Terminal capacity : 2 x 2,5 mm²
 Stripping length : 12 mm

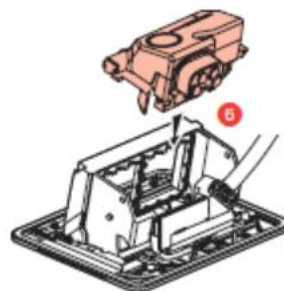
c)- Insert stripped wires inside pop up



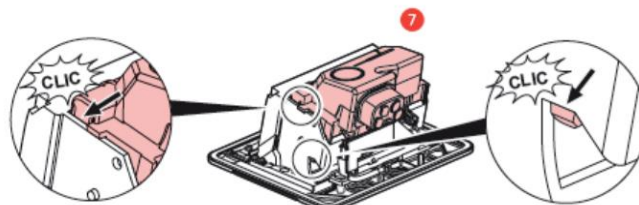
Connect the socket and clip it on the frame

2. INSTALLATION (continued)

d) Put the insulation casing back by compressing on the sides



and push until locking

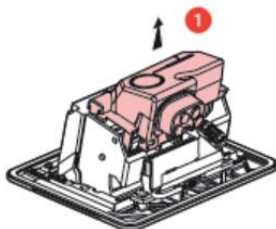


2. INSTALLATION (continued)

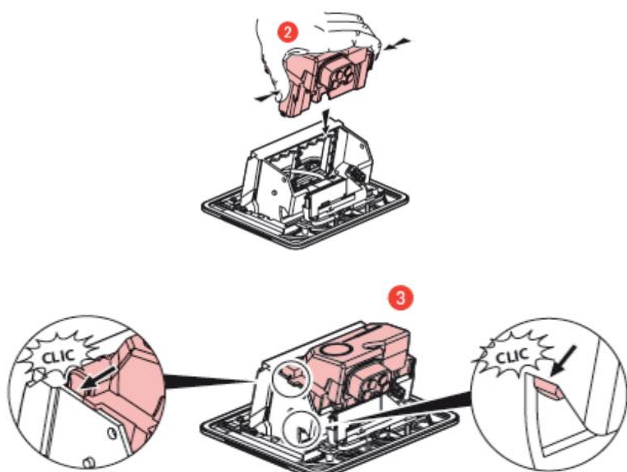
2.4 Installation of data sockets (RJ45)



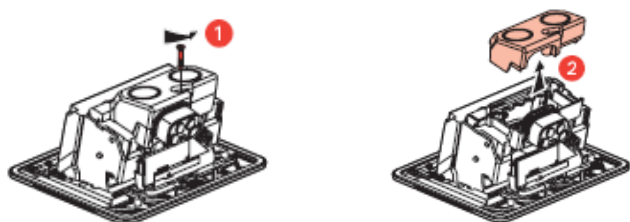
a) Remove the insulation casing (figure 1)



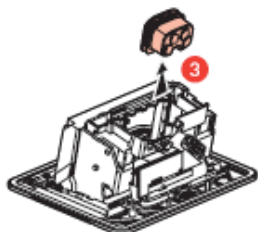
and put it back until locking (figures 2 et 3)



b) Unscrew the top of the insulation casing (figures 1 et 2)

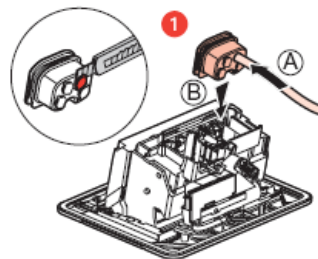


and remove the cable exit (figure 3) :

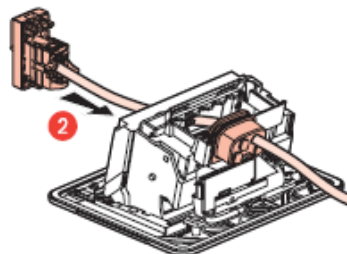


2. INSTALLATION (continued)

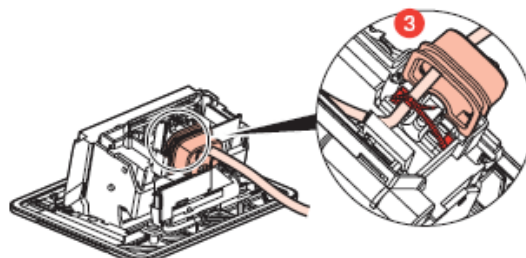
c) Cut out the protective caps according to the number of cables (maxi 4)



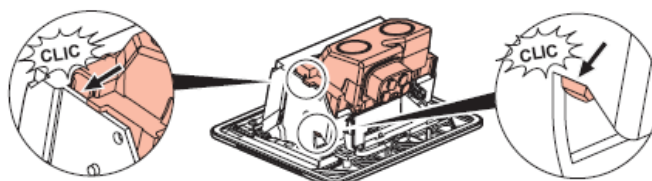
d)- Pass the cable through the frame to connect the sockets



e) Put the cable exit back and lock the cable using the supplied cable tie

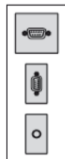


f) Put the insulation casing back

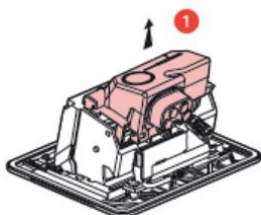


2. INSTALLATION (continued)

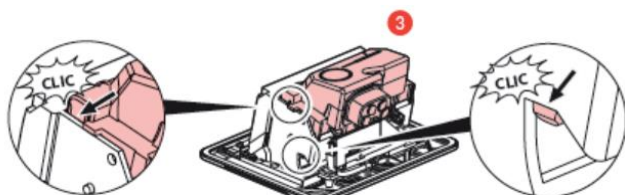
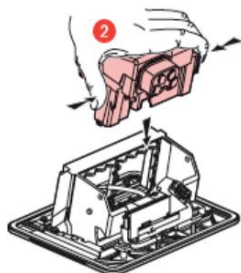
2.5 Installation of Audio/video sockets



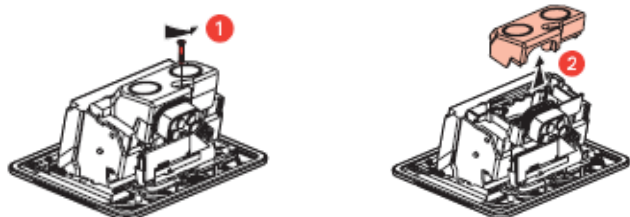
a) Remove the insulation casing (figure 1)



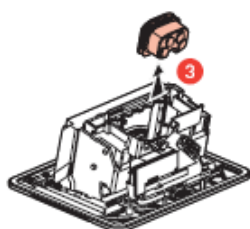
and put it back until locking (figures 2 et 3)



b) Unscrew the top of insulation casing (figures 1 et 2)

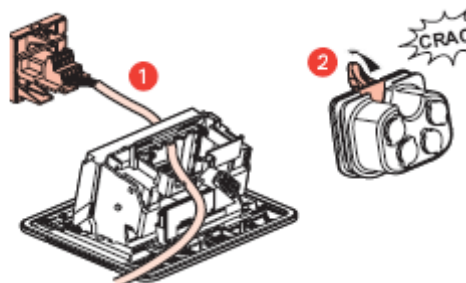


and remove the cable exit (figure 3) :

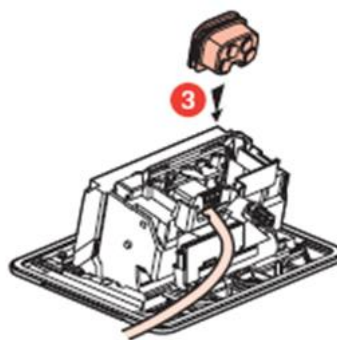


2. INSTALLATION (continued)

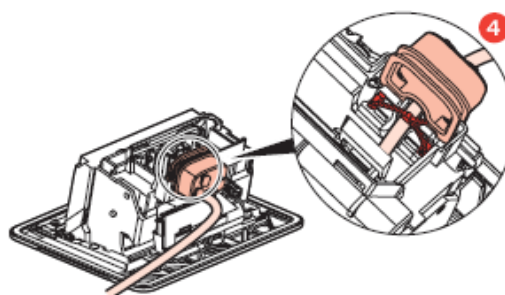
c) Pass the cables through the frame to connect the A/V sockets and break the strip allowing the cable to pass



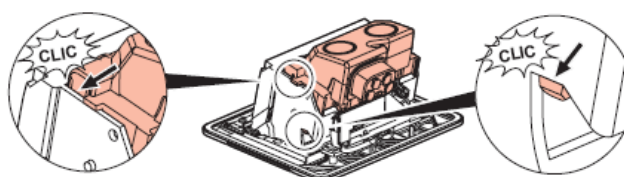
d) Put the cable in its receptacle and put the cable exit back



e) Lock the cable using the supplied cable tie



f) Put back the top part of the insulation casing and screw to end the installation



Note : in the case of audio/video mixed equipment (HD15 + jack 3.5 mm) equipped with two cords, proceed in the same way

2. INSTALLATION (continued)

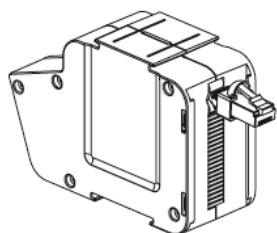
2.6 Retractor kits :

2.6.1 Range

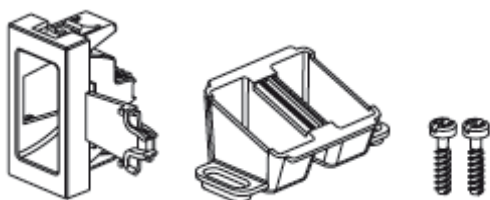
Numbers	Description
0 540 35	RJ45 Cat.6 FTP retractor
0 540 36	USB/micro USB retractor
0 540 34	RJ45 Cat. 6 UTP retractor

2.6.2 Composition

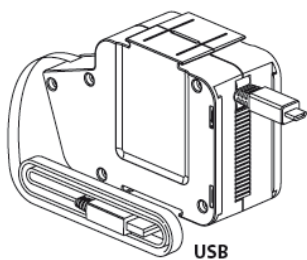
RJ45 Cat.6 part numbers 0 540 34/35



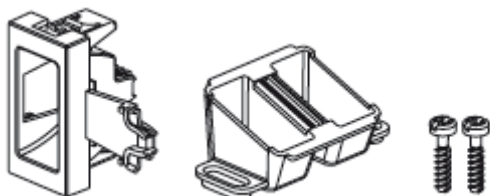
RJ45



USB/micro USB part number 0 540 36

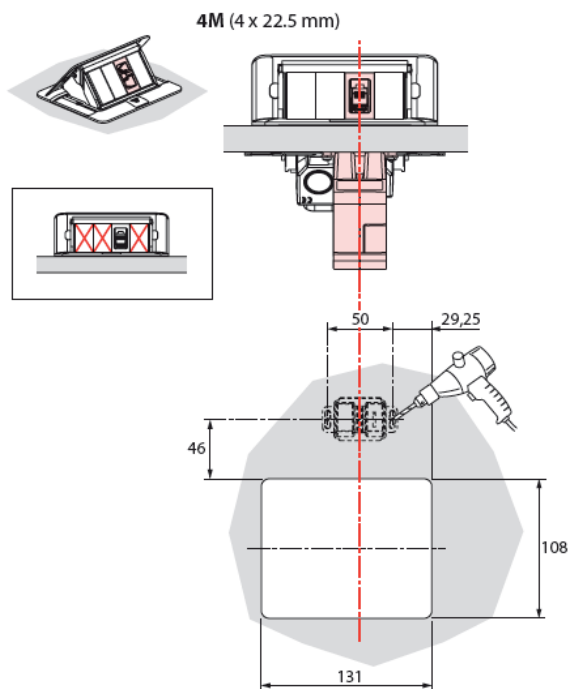


USB

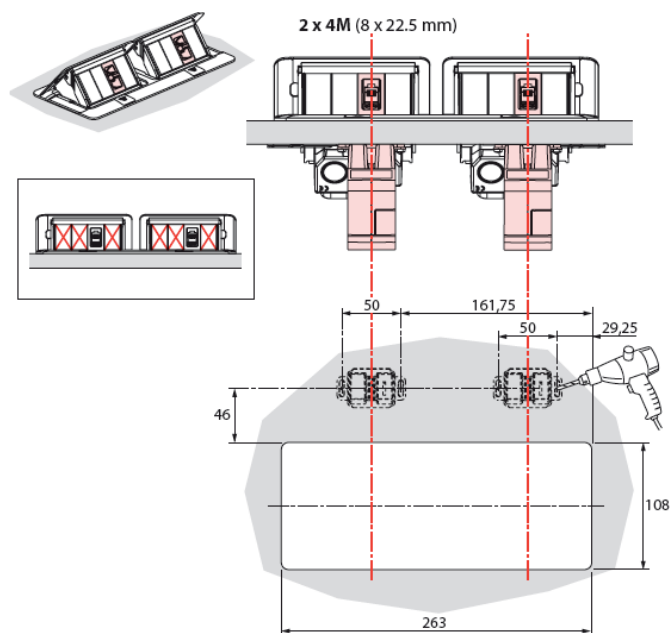


2. INSTALLATION (continued)

2.6.3 Example of retractor installation for Pop up 4M



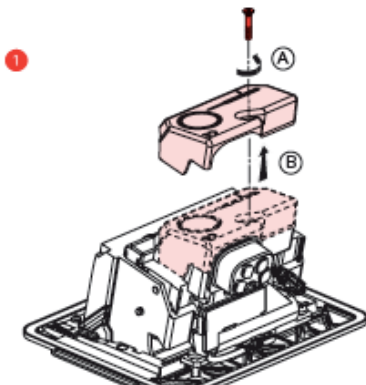
2.6.4 Example of retractor installation for Pop up 8M



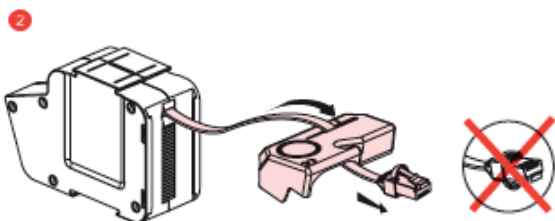
2. INSTALLATION (continued)

2.6.5 Installation of retractor :

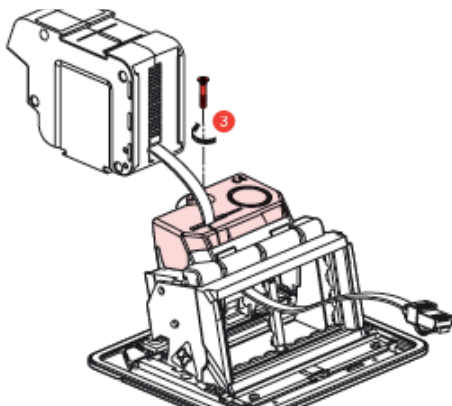
Remove the top of insulation casing



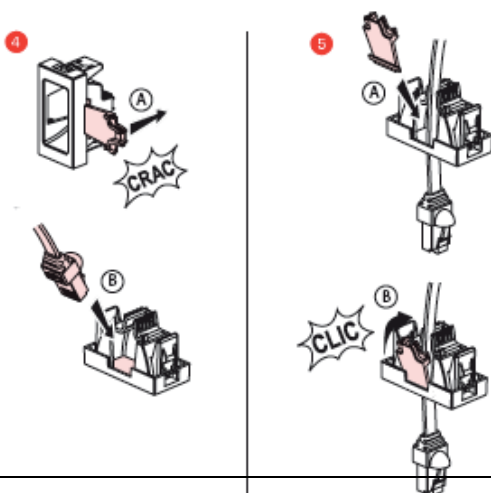
Pass the flat cable the right way through the support



Screw back the top of the installation casing

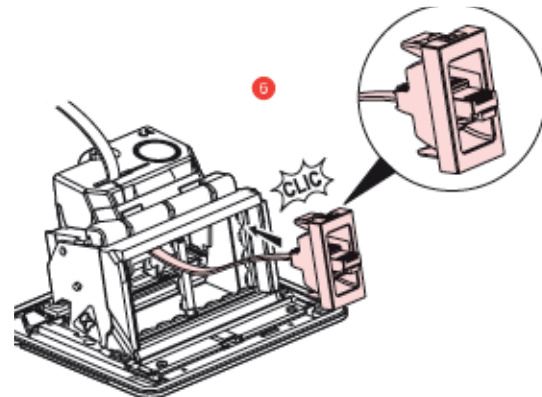


Remove the side cap (4A) and pass the cable through the frame.. Finally, put the side cap back (5A/5B)

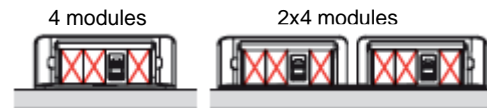


2. INSTALLATION (continued)

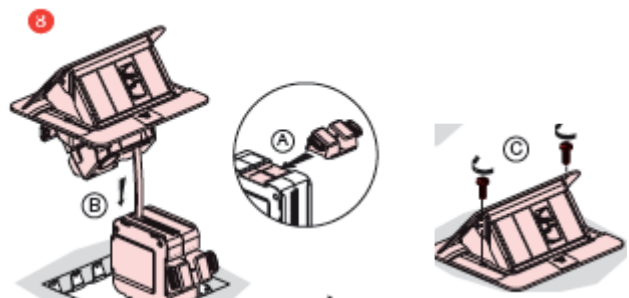
Clip on the support 1 module in the pop up.



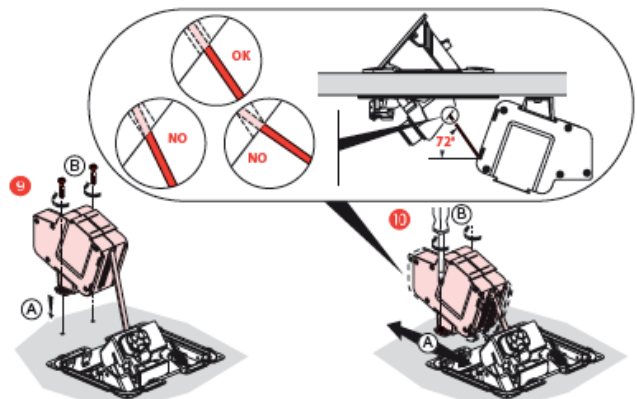
7 Note : always put it on the third position on the support whatever the type of pop up



A : clip the support on the retractor
B : pass the retractor under the desk
C : fix the pop up with supplied screws



Fix the support of retractor under the desk according to the dimensions indicated on page 7 (2.6.3 & 2.6.4)

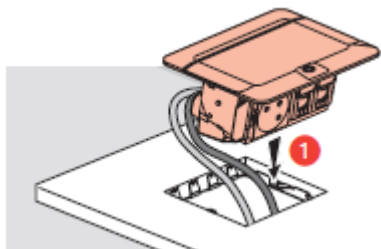


Adjust the retractor support (pop up open) so that the cable makes a straight line (avoid any contact with the edge of the cover)

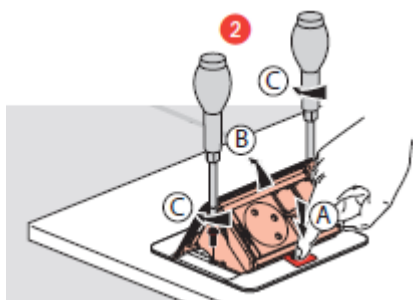
2 INSTALLATION (continued)

2.7 Pop ups installation

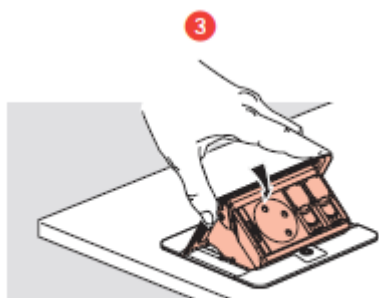
a) Pop up installation on fixing supports



b) Open the pop up with a single and easy push on the button (figures A & B). Then, using supplied screws, fix the pop up on the supports (figure C)



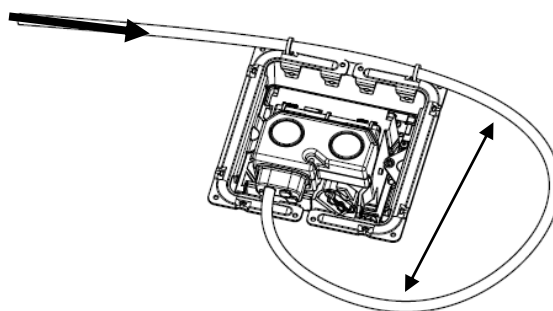
c) Push down on the cover to close the pop up



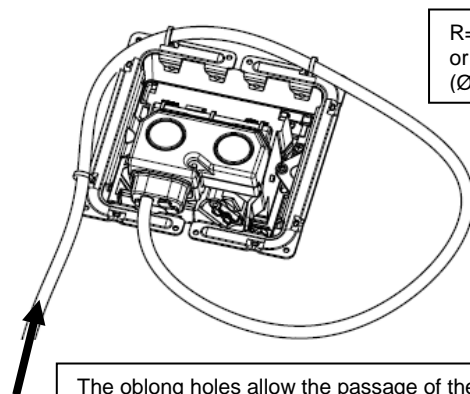
2 INSTALLATION (continued)

Positioning of data cables

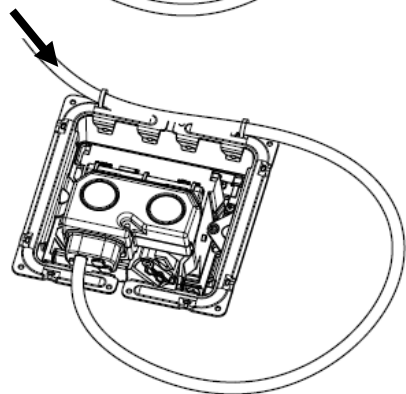
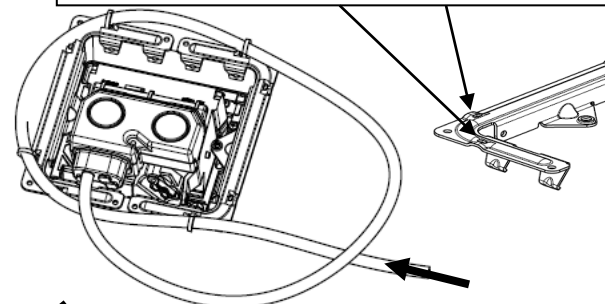
To respect the bend radius for data cables, it is necessary to fix the cables by observing a radius higher than 80mm (curve of the cable at the exit on the kit and the fixing points of the cable on the supports).



R=80mm
or
(Ø 160mm)



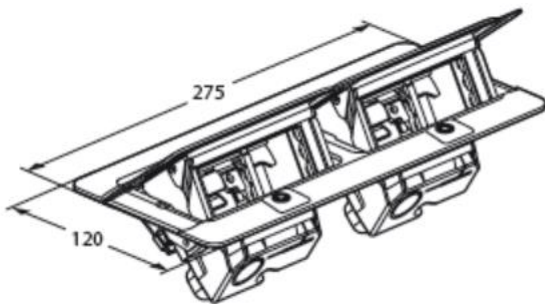
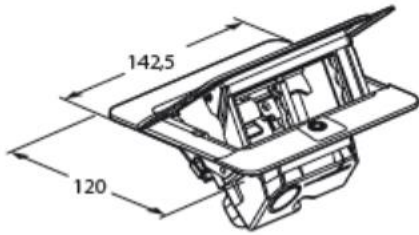
The oblong holes allow the passage of the cable ties to generate the loop of RJ 45 cable and to respect the bend radius for data cables.



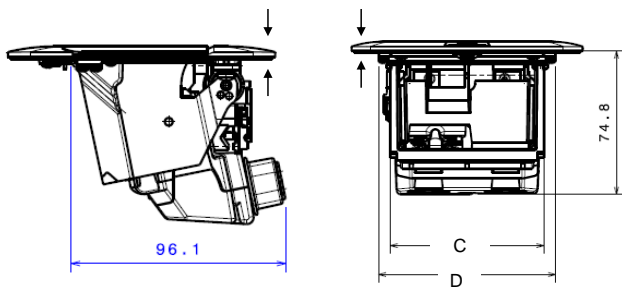
Note : if installation with several cables, they must be attached together using a cable tie

3 TECHNICAL CHARACTERISTICS

Pop up dimensions





Thickness 5 mm



	C(mm)	D(mm)
4 mod	102.3	114.5
2x4 mod	231.6	247

3 TECHNICAL CHARACTERISTICS (continued)

B : Table of compatibility of equipment that can be installed.

Type of sockets (Mosaic & Arteor)	Modules
Power	
Data and Audio-video	

Please note that:

- for unswitched british standard socket you have to intall it at 90°
- for switched british standard socket, you have to install the mechanism at 180°.

C : Classification for Pop-up standard:

Standard NFC 61-314

Rated voltage

250 V~

To earth the system

R < 0,05 Ohms

Protection against mechanical impact:

IK07

Degrees of protection provided by enclosure:

IP30 open - IP40 closed.

Resistance to vertical load applied through small surface area:

1500N open - 3000N closed.

Insulation resistance

U=500V - R > 5M Ohms

Dielectric strength :

2000V

Material :

Halogen free material, fire proofed and no propagator of the flame.

Resistant to corrosion and to temperature changes

Finishes	Material
Matt Stainless steel	Zamak nickel coating
Glossy White	Aluminium material with white painting
Matt Black	Aluminium material with black painting
Matt Aluminium	Aluminium

Safety :

You must earth the system

Cleaning :

The exterior should only be cleaned using a damp cloth (avoid contact with the active parts)

Do not use abrasive detergent