

<b>CONTENT</b>		
1.	OVERALL DESCRIPTION	1
2.	PRODUCT RANGE	2
2.1	Structure configurations	2
2.2	Doors range and dimensions	3
2.3	Lateral panels	4
2.4	IP43 Kit	5
2.5	Finish kits	5
3.	DIMENSIONS	6
3.1	Fixing Dimensions	8
3.2	Plinth	11
4.	GENERAL FEATURES	11
4.1	Technical properties	11
4.2	Materials	11
	Painting Characteristics	11
	Salt spray resistance	12
	Climatic conditions:	12
5.	CONFORMITY AND APPROVALS	12
6.	INSTALLATION EQUIPMENTS AND ACCESSORIES	12

## 1. OVERALL DESCRIPTION

XL<sup>3</sup> 630 are monobloc enclosures for distribution.

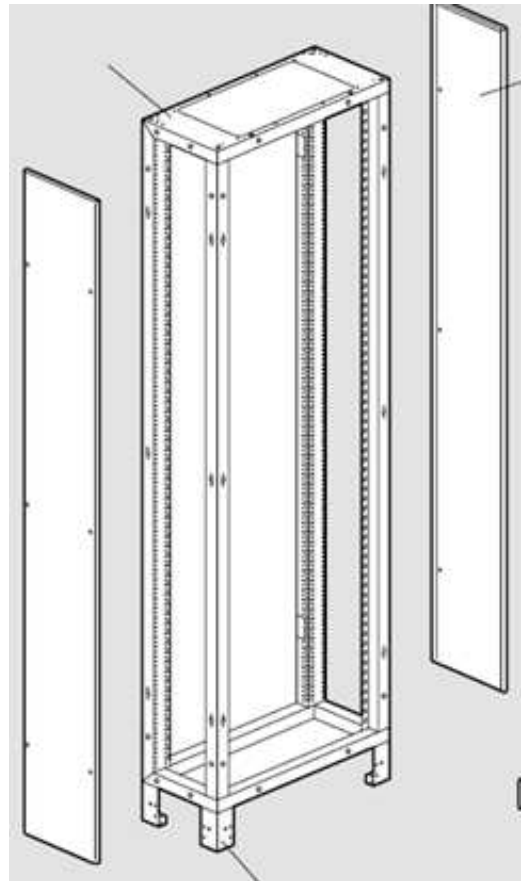
Equipped with functional upright for installation of DIN rails and plates for devices (DPX<sup>3</sup>, DRX, SPX, etc).

Maximum intensity of devices installable: 630A.

4 widths: cable sleeve, 16 modules, 24 modules, 36 modules.

Modular enclosure, suitable for joining frames side by side with specific accessories.

Removable plates at top and bottom in order to arrange as needed the arrival of cables, and eventually to install a Cabstop<sup>®</sup> plate.



# XL<sup>3</sup> S 630 CABINETS

Cat. No(s): 3 375 20/21/22/23/30/31/32/33/40/41/42/43  
 3 375 50/51/52/53/60/61/62/63/70/71/72/73/80/81/82/83  
 3 375 90/91/92/93; 3 376 00/01/02/03/10/11/12/13  
 3 376 20/21/22/23

## 2. PRODUCT RANGE

### 2.1 Structure configurations

Enclosures

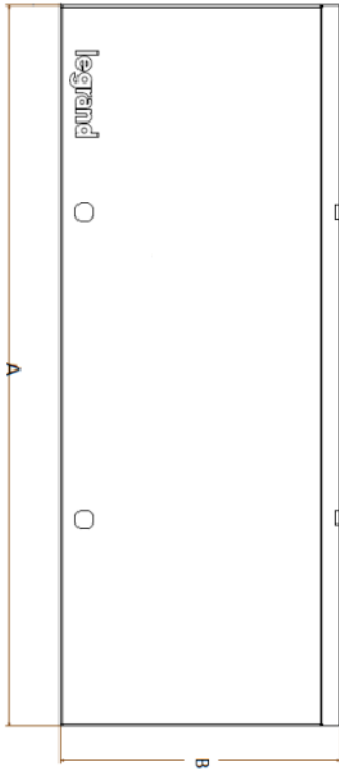
Cat. No	Number of rows (150mm)	Number of modules	Total number of modules	Usable height (mm)	Weight (kg)
3 375 21	5	16	80	750	17,04
3 375 22	5	24	120	750	19,36
3 375 23	5	36	180	750	23,14
3 375 31	6	16	96	900	18,64
3 375 32	6	24	144	900	21,96
3 375 33	6	36	216	900	25,67
3 375 41	7	16	112	1050	20,52
3 375 42	7	24	168	1050	23,63
3 375 43	7	36	252	1050	28,20
3 375 51	8	16	128	1200	22,39
3 375 52	8	24	192	1200	25,75
3 375 53	8	36	288	1200	30,72
3 375 61	9	16	144	1350	24,25
3 375 62	9	24	216	1350	27,90
3 375 63	9	36	324	1350	33,25
3 375 71	10	16	160	1500	26,12
3 375 72	10	24	240	1500	30,03
3 375 73	10	36	360	1500	35,77
3 375 81	11	16	176	1650	27,99
3 375 82	11	24	264	1650	32,16
3 375 83	11	36	396	1650	38,19
3 375 91	12	16	192	1800	29,86
3 375 92	12	24	288	1800	34,73
3 375 93	12	36	432	1800	40,82
3 376 01	13	16	208	1950	31,73
3 376 02	13	24	312	1950	36,90
3 376 03	13	36	468	1950	43,34
3 376 11	14	16	224	2100	33,60
3 376 12	14	24	336	2100	39,06
3 376 13	14	36	504	2100	45,86
3 376 21	15	16	240	2250	35,47
3 376 22	15	24	360	2250	41,22
3 376 23	15	36	540	2250	47,70

Cable Sleeves

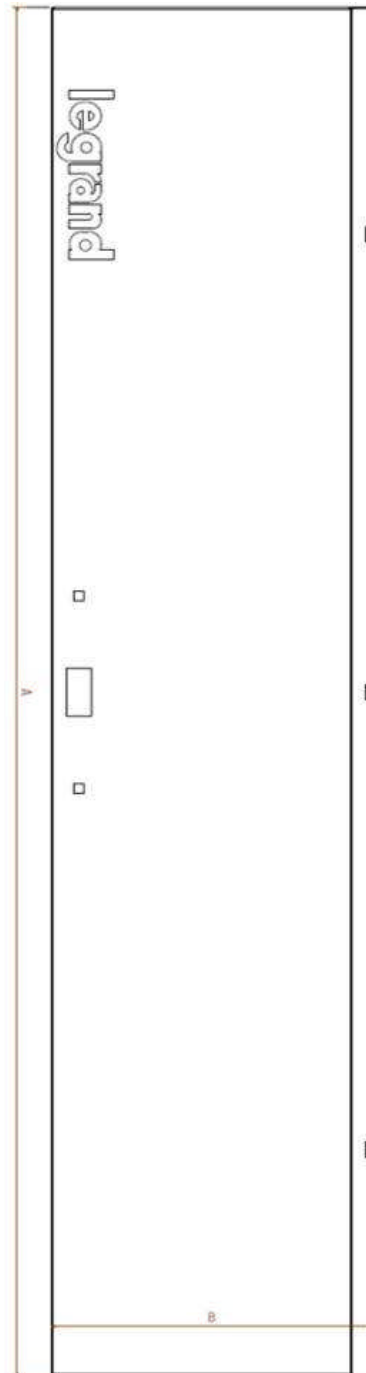
Cat. N°	Usable Height(mm)	Weight (kg)
3 375 20	750	15,44
3 375 30	900	16,71
3 375 40	1050	18,41
3 375 50	1200	20,10
3 375 60	1350	21,79
3 375 70	1500	23,48
3 375 80	1650	25,17
3 375 90	1800	26,87
3 376 00	1950	28,56
3 376 10	2100	30,25
3 376 20	2250	31,95

**2.2 Doors range and dimensions**

The depth of doors allows all sizes of handles of the breaker installable inside the enclosure and installation of lamps and controls (interface man-machine).  
3 hinges on door allowing a 180° opening.



Doors from 3 376 40 to 3 376 73



Doors from 3 376 80 to 3 377 43

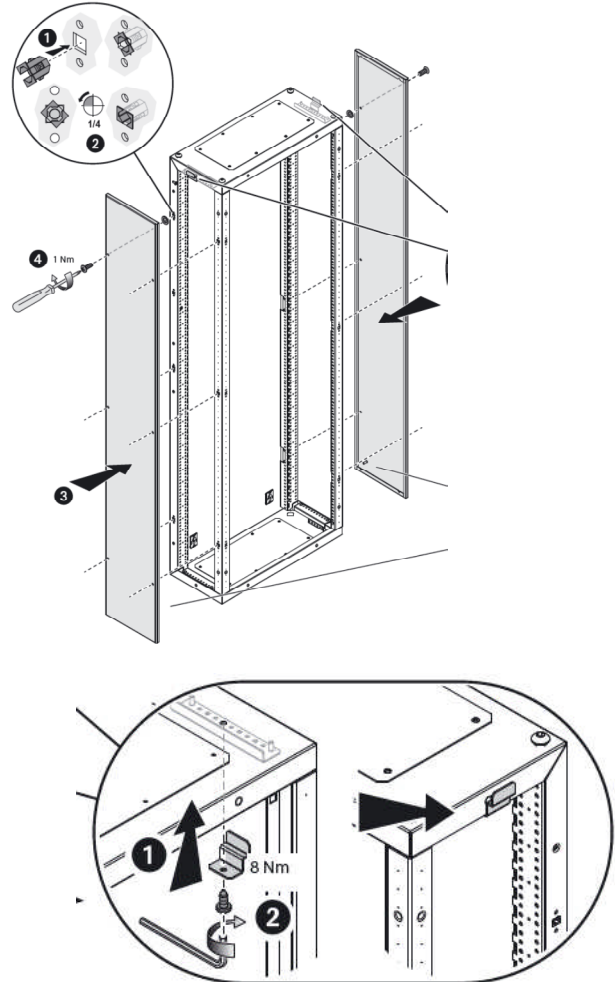
# XL<sup>3</sup> S 630 CABINETS

Cat. No(s): 3 375 20/21/22/23/30/31/32/33/40/41/42/43  
 3 375 50/51/52/53/60/61/62/63/70/71/72/73/80/81/82/83  
 3 375 90/91/92/93; 3 376 00/01/02/03/10/11/12/13  
 3 376 20/21/22/23

Cat. N°	A (mm)	B (mm)	C (mm)	Encl. cat. N°
3 376 41	824	418	54	3 375 21
3 376 42	824	568	54	3 375 22
3 376 43	824	768	54	3 375 23
3 376 51	974	418	54	3 375 31
3 376 52	974	568	54	3 375 32
3 376 53	974	768	54	3 375 33
3 376 61	1124	418	54	3 375 41
3 376 62	1124	568	54	3 375 42
3 376 63	1124	768	54	3 375 43
3 376 71	1274	418	54	3 375 51
3 376 72	1274	568	54	3 375 52
3 376 73	1274	768	54	3 375 53
3 376 81	1424	418	54	3 375 61
3 376 82	1424	568	54	3 375 62
3 376 83	1424	768	54	3 375 63
3 376 91	1574	418	54	3 375 71
3 376 92	1574	568	54	3 375 72
3 376 93	1574	768	54	3 375 73
3 377 01	1724	418	54	3 375 81
3 377 02	1724	568	54	3 375 82
3 377 03	1724	768	54	3 375 83
3 377 11	1874	418	54	3 375 91
3 377 12	1874	568	54	3 375 92
3 377 13	1874	768	54	3 375 93
3 377 21	2024	418	54	3 376 01
3 377 22	2024	568	54	3 376 02
3 377 23	2024	768	54	3 376 03
3 377 31	2174	418	54	3 376 11
3 377 32	2174	568	54	3 376 12
3 377 33	2174	768	54	3 376 13
3 377 41	2324	418	54	3 376 21
3 377 42	2324	568	54	3 376 22
3 377 43	2324	768	54	3 376 23

## 2.3 Lateral panels

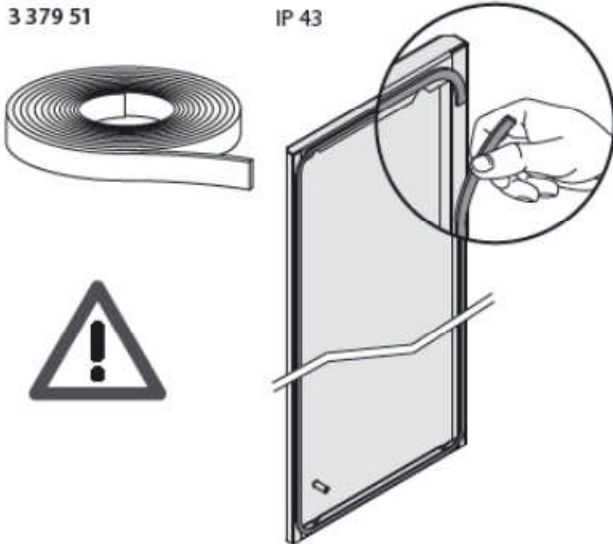
Packaging including a pair of sides, in order to close completely the assembly, and support plate that allows the easy installation of the side



Cat. N°	A (mm)	B (mm)	C (mm)
3 378 62	824	244	15
3 378 63	974	244	15
3 378 64	1124	244	15
3 378 65	1274	244	15
3 378 66	1424	244	15
3 378 67	1574	244	15
3 378 68	1724	244	15
3 378 69	1874	244	15
3 378 70	2024	244	15
3 378 71	2174	244	15
3 378 72	2324	244	15

## 2.4 IP43 Kit

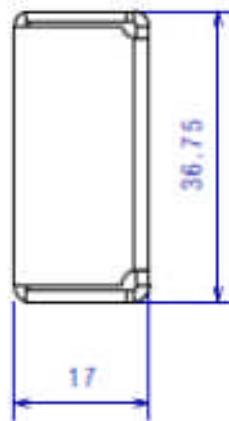
The enclosure can arrive up to an IP43 degree of protection when completed with door, sides and the specific kit ref. 3 379 51



## 2.5 Finish kits

IP30 finish kit composed with two Cat. N°s for each size of enclosure: one for the vertical frame, and one for the horizontal frame. The assembly of the two items create a frame fixed on the enclosure uprights, keeping esthetic finish and IP30 degree of protection.

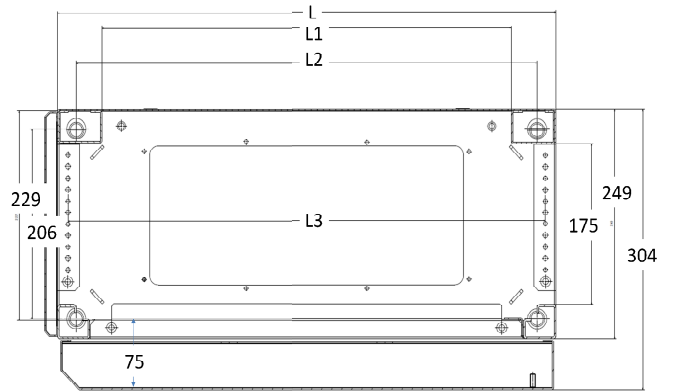
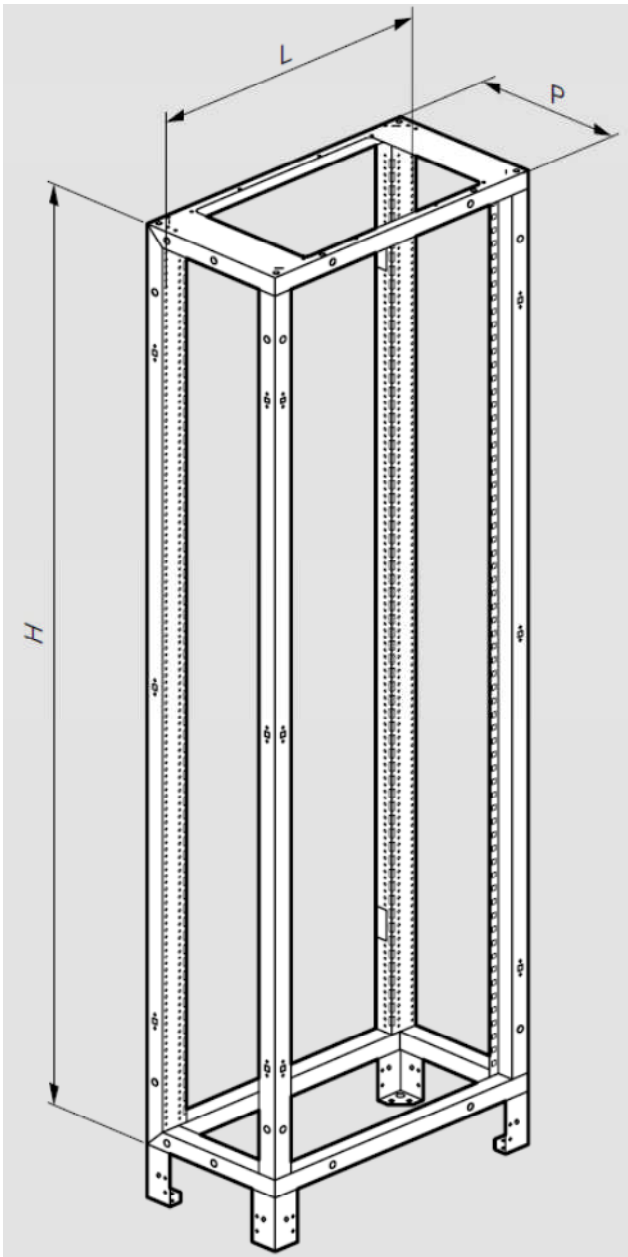
	Cat. Number	Length (mm)	Width (mm)	Depth (mm)
Vertical element	3 379 60	824	37	17
	3 379 61	974	37	17
	3 379 62	1124	37	17
	3 379 63	1274	37	17
	3 379 64	1424	37	17
	3 379 65	1574	37	17
	3 379 66	1724	37	17
	3 379 67	1874	37	17
	3 379 68	2024	37	17
	3 379 69	2174	37	17
Horizontal element	3 379 70	2324	37	17
	3 379 72	359	37	17
	3 379 73	509	37	17
	3 379 74	709	37	17



# XL<sup>3</sup> S 630 CABINETS

Cat. No(s): 3 375 20/21/22/23/30/31/32/33/40/41/42/43  
3 375 50/51/52/53/60/61/62/63/70/71/72/73/80/81/82/83  
3 375 90/91/92/93; 3 376 00/01/02/03/10/11/12/13  
3 376 20/21/22/23

## 3. DIMENSIONS



# XL<sup>3</sup> S 630 CABINETS

Cat. No(s): 3 375 20/21/22/23/30/31/32/33/40/41/42/43  
 3 375 50/51/52/53/60/61/62/63/70/71/72/73/80/81/82/83  
 3 375 90/91/92/93; 3 376 00/01/02/03/10/11/12/13  
 3 376 20/21/22/23

## Cable sleeve enclosures:

Cat. N°	Dimensions				
	L (mm)	L1 (mm)	L2 (mm)	L3 (mm)	H (mm)
3 375 20	324	222	281	300	750
3 375 30	324	222	281	300	900
3 375 40	324	222	281	300	1050
3 375 50	324	222	281	300	1200
3 375 60	324	222	281	300	1350
3 375 70	324	222	281	300	1500
3 375 80	324	222	281	300	1650
3 375 90	324	222	281	300	1800
3 376 00	324	222	281	300	1950
3 376 10	324	222	281	300	2100
3 376 20	324	222	281	300	2250

## 16 Modules enclosures:

Cat. N°	Dimensions				
	L (mm)	L1 (mm)	L2 (mm)	L3 (mm)	H (mm)
3 375 21	424	322	381	400	750
3 375 31	424	322	381	400	900
3 375 41	424	322	381	400	1050
3 375 51	424	322	381	400	1200
3 375 61	424	322	381	400	1350
3 375 71	424	322	381	400	1500
3 375 81	424	322	381	400	1650
3 375 91	424	322	381	400	1800
3 376 01	424	322	381	400	1950
3 376 11	424	322	381	400	2100
3 376 21	424	322	381	400	2250

## 24 Modules enclosures:

Cat. N°	Dimensions				
	L (mm)	L1 (mm)	L2 (mm)	L3 (mm)	H (mm)
3 375 22	574	472	531	550	750
3 375 32	574	472	531	550	900
3 375 42	574	472	531	550	1050
3 375 52	574	472	531	550	1200
3 375 62	574	472	531	550	1350
3 375 72	574	472	531	550	1500
3 375 82	574	472	531	550	1650
3 375 92	574	472	531	550	1800
3 376 01	574	472	531	550	1950
3 376 12	574	472	531	550	2100
3 376 22	574	472	531	550	2250

## 36 Modules enclosures:

Cat. N°	Dimensions				
	L (mm)	L1 (mm)	L2 (mm)	L3 (mm)	H (mm)
3 375 23	774	672	731	750	750
3 375 33	774	672	731	750	900
3 375 43	774	672	731	750	1050
3 375 53	774	672	731	750	1200
3 375 63	774	672	731	750	1350
3 375 73	774	672	731	750	1500
3 375 83	774	672	731	750	1650
3 375 93	774	672	731	750	1800
3 376 03	774	672	731	750	1950
3 376 13	774	672	731	750	2100
3 376 23	774	672	731	750	2250

## Cable entry dimensions:

Width	L x P (mm)
16 M	116x262
24 M	151x362
36 M	151x462

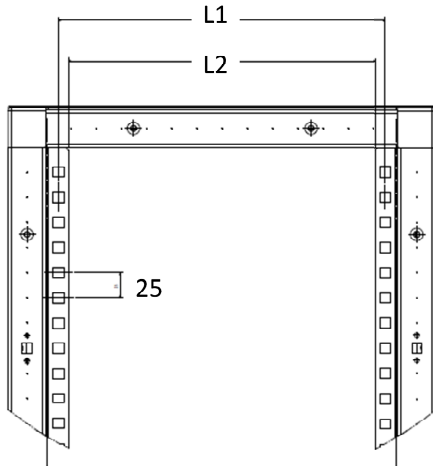
# XL<sup>3</sup> S 630 CABINETS

Cat. No(s): 3 375 20/21/22/23/30/31/32/33/40/41/42/43  
 3 375 50/51/52/53/60/61/62/63/70/71/72/73/80/81/82/83  
 3 375 90/91/92/93; 3 376 00/01/02/03/10/11/12/13  
 3 376 20/21/22/23

## 3.1 Faceplate supports

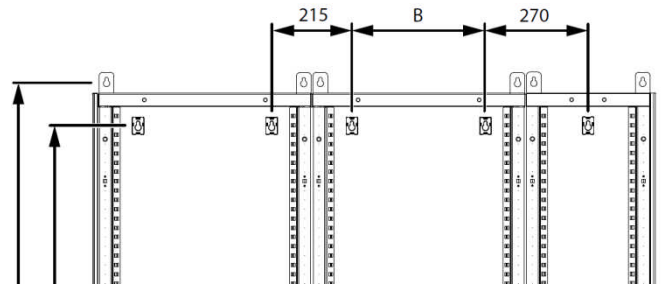
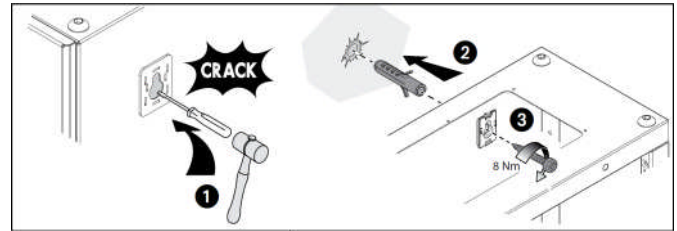
It is composed by two vertical uprights, fixed on the frontal uprights of the frame, allowing the fixing of the faceplates.

It allows an Ip30 degree of protection.



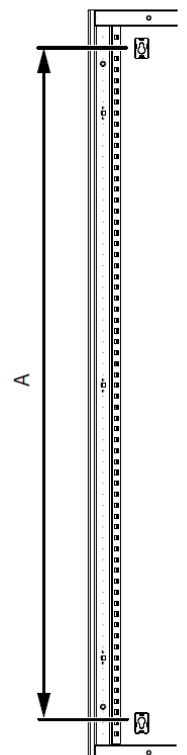
Enclosure. Width	L1 (mm)	L2 (mm)
Cable sleeve	225	205
16 M	325	305
24 M	475	455
36 M	675	655

## 3.2 Fixing Dimensions



Width	B (mm)
16 M	210
24 M	360
36 M	560

Cat. N°	A (mm)
3 375 20/21/22/23	667
3 375 30/31/32/33	817
3 375 40/41/42/43	967
3 375 50/51/52/53	1117
3 375 60/61/62/63	1267
3 375 70/71/72/73	1417
3 375 80/81/82/83	1567
3 375 90/91/92/93	1717
3 376 00/01/02/03	1867
3 376 10/11/12/13	2017
3 376 20/21/22/23	2167

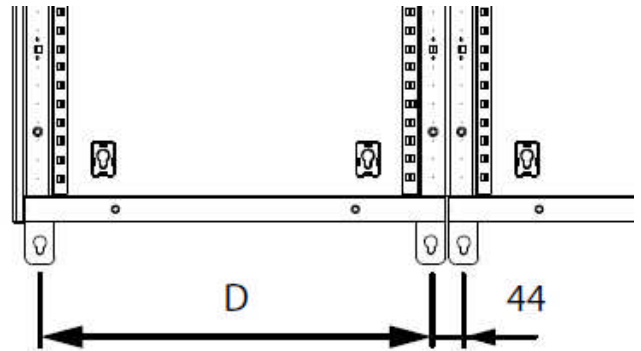
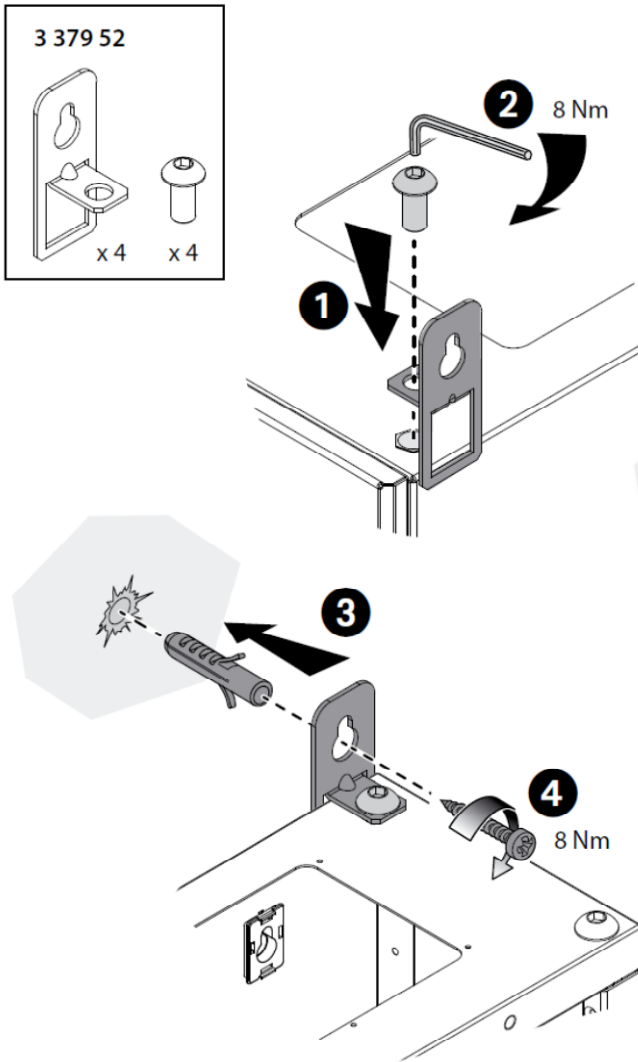




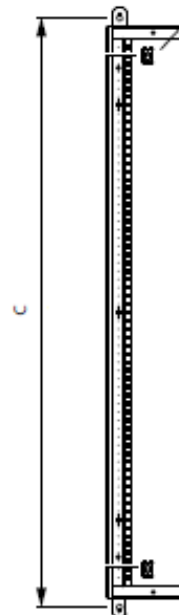
# XL<sup>3</sup> S 630 CABINETS

Cat. No(s): 3 375 20/21/22/23/30/31/32/33/40/41/42/43  
 3 375 50/51/52/53/60/61/62/63/70/71/72/73/80/81/82/83  
 3 375 90/91/92/93; 3 376 00/01/02/03/10/11/12/13  
 3 376 20/21/22/23

Fixing dimensions for wall mounting accessories:



Width	D (mm)
Cable sleeve	281
16 M	381
24 M	531
36 M	731

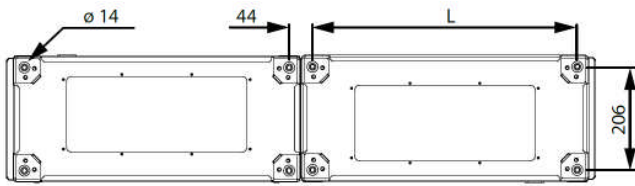


Cat. N°	C (mm)
3 375 20/21/22/23	900
3 375 30/31/32/33	1050
3 375 40/41/42/43	1200
3 375 50/51/52/53	1350
3 375 60/61/62/63	1500
3 375 70/71/72/73	1650
3 375 80/81/82/83	1800
3 375 90/91/92/93	1950
3 376 00/01/02/03	2100
3 376 10/11/12/13	2250
3 376 20/21/22/23	2400

# XL<sup>3</sup> S 630 CABINETS

Cat. No(s): 3 375 20/21/22/23/30/31/32/33/40/41/42/43  
 3 375 50/51/52/53/60/61/62/63/70/71/72/73/80/81/82/83  
 3 375 90/91/92/93; 3 376 00/01/02/03/10/11/12/13  
 3 376 20/21/22/23

Dimensions to fix the enclosure on the pavement indicated below.



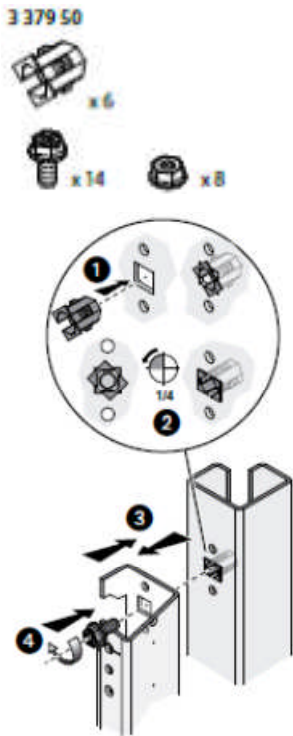
Width	L (mm)
Cable sleeve	281
16 M	381
24 M	531
36 M	731

Starting from frames 1500mm high the use of the plinths is hardly suggested.

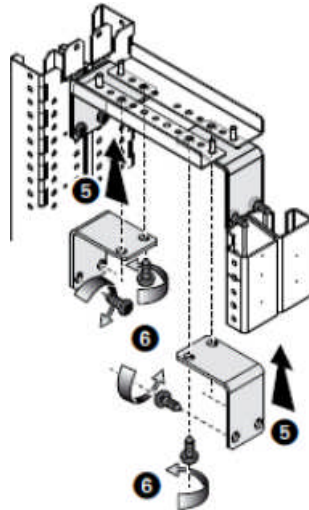
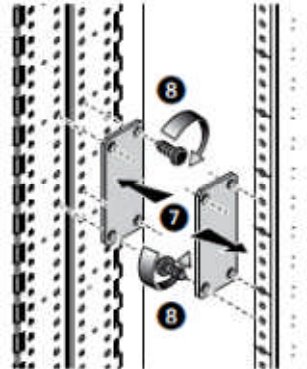
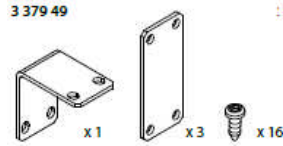
## FRAME JOINING

The frames can be joined in different way, depending on the mechanical characteristic the assembly has to obtain.

- A set of screw and cage nuts fixing directly the upright for light solutions (up to 200 kg).



- a set of metallic plates (3) and corner (1) for heavier duties (up to 300 kg). Two kits have to be used to perform up to the maximum weight

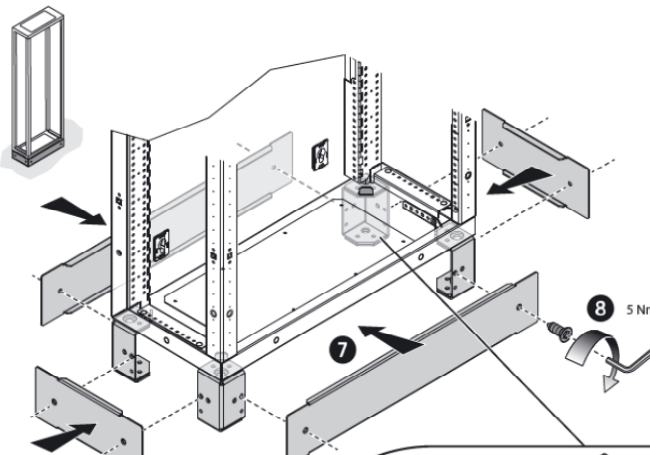
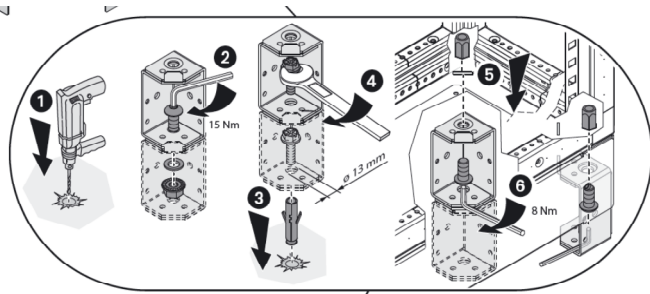


### 3.3 Plinth

The plinth is composed by 4 corners and 4 covers.

Plinths are 100mm high and are fixed directly on the frame by the means of M12 screws.

Plinths are juxtaposable up to a maximum of 2 plinths, with the upper side of the enclosure fixed on the wall.



					3 382 05		x 2	3 382 00		x 8		x 4		x 4		x 4
	L (mm)															
	350	450	600	800												
	3 382 01	3 382 02	3 382 03	3 382 04												

## 4. GENERAL FEATURES

### 4.1 Technical properties

- IP30 / IP40 / IP43 (with specific kit)
- IK07 Without door, IK08 With door
- Height from 750mm up to 2250mm (usable)
- Reversible door (metal & transparent)
- RAL 7016 (anthracite grey) / RAL 9003 (signal white)
- The uprights for faceplates and the uprights for plates are automatically earthed with the frame
- I<sub>nA</sub>: 630A
- Short circuit withstand :
  - I<sub>cc</sub>: 36 kA
  - I<sub>cw</sub>: 36 kA x 0,5s
  - I<sub>pk</sub>: 75,6 kA
- U<sub>i</sub>: 690 V
- U<sub>imp</sub>: 6kV
- Max load : 300 kg

### 4.2 Materials

- Enclosure: Sheet metal 1,5mm thickness
- Frame uprights: Galvanized sheet metal 2mm thickness
- Lateral sides: Sheet metal 1,5mm thickness
- Plinths: Galvanized sheet metal 3mm thickness
- Plinths covers: Sheet metal 1,5mm thickness

### Painting Characteristics

Painting: epoxy polyester powder. Minimum thickness 60µ

- Grain size distribution (Ø average) ISO 8130-1: 32 µm 36÷46%; 63 µm 74÷91%
- Scratch test UNI 9395: invisible scratch (0.4 kg)
- Cross-cut test ISO 2409: GT0...1
- Overheating resistance (DYI (190°C, 60') ASTM D 1925): >1,5

After 10 minutes contact, at ambient temperature, with the following substances the coating remains intact:

- methyl Alcohol
- Toluene
- Xylene
- Chloridric Acid
- Gas oil
- Gasoline
- NaOH 30% (caustic soda, aqueous solution)

After 1 week contact, at ambient temperature, with the following substances the coating remains intact:

- bleach 15% active chlorine
- saturated solution bleach
- Ethylic alcohol and N – hexane resistance as define in the standard UNI 9852.

After 1 month immersion, at ambient temperature, in the following aqueous solutions the coating remains intact:

- 1% standard detergent
- 10% sodium chloride
- 1% citric acid
- 5% phosphoric acid
- 10% ammonia
- xylene
- 20% acetic acid

After 6 months immersion, at ambient temperature, in the following aqueous solutions the coating remains intact:

distilled water

normal water

### Salt spray resistance

500 hours without blistering neither detachment of paint, applied on the pretreated panel with iron phosphate salts.

The painting cycle and materials allow a resistance up to level "C4 Low" according to standard ISO 12944.

It is possible to arrive up to a level "C5 medium" with a dedicate painting cycle.

### Climatic conditions:

Operating temperature : -5°C to + 40° C

Stocking temperature: - 10°C to + 70°C

## 5. CONFORMITY AND APPROVALS

Conform with standards: IEC 61439-2

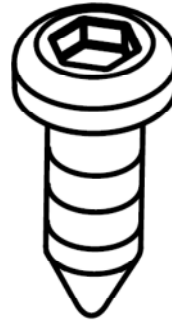
Fire resistance according to IEC 60695-2-1 750°C/5s

## 6. INSTALLATION EQUIPMENTS AND ACCESSORIES

Range completed with accessories for devices installation and busbar supports.

All supports are fixed with the same auto-threading screw, size M6 x16.

Tool needed: TORX n° T30



Faceplates built in sheet metal 1,2mm thickness, painted with epoxy polyester powder RAL9003.

All the faceplates can be fixed in three ways:

- Screws
- Automatic clips
- ¼ turn

Faceplates delivered without fastening system .To be ordered separately (Set with 100 pieces).

Cat. N°	Type
3 397 00	100 Automatic clips
3 397 01	100 ¼ turns
3 397 02	100 Screws