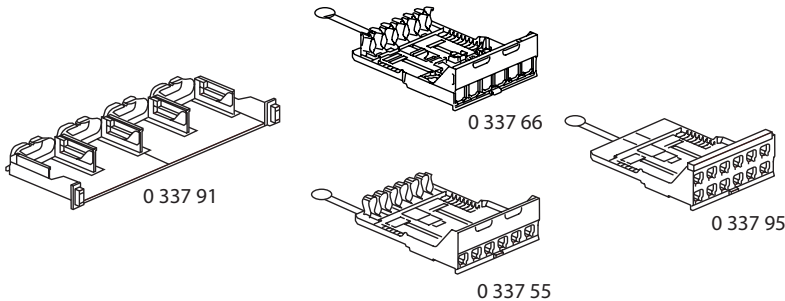


# Empty straight panel, without cassette

## Cassette for straight panel to be equipped with 6 and 12 RJ45 connectors

Cat. No(s): 0 337 55/66/91/95



CONTENTS	Page
1. GENERAL CHARACTERISTICS .....	1
2. POSITIONING .....	1
3. TECHNICAL CHARACTERISTICS .....	2
4. DIMENSIONS .....	2
5. ACCESSORIES .....	3

### 1. GENERAL CHARACTERISTICS

#### 0 337 91: Empty panel

Equipped with new-generation Soluclips for automatic fixing (screwless) on cabinet and enclosure uprights (the soluclips are designed to adapt to uprights of thickness ranging from 1.5 to 2mm max).  
 Universal mounting in all racks or cabinets with automatic earthing on unpainted uprights. Painted uprights can be connected to earth with a cord and a screw connection.  
 Equipped with rear cable guide to hold cables during maintenance.  
 Take up to 4 automatically removable cassettes (copper or fibre optic).  
 19" panel - 1 U.

#### 0 337 55: Cassette for empty straight panel

Bare removable cassette to be equipped with connectors, takes 6 Cat. 5e, Cat. 5, Cat. 6A and Cat. 8 connectors.

#### 0 337 66: Cassette for empty straight panel with shutters

Bare removable cassette to be equipped with connectors, takes 6 Cat. 5e, Cat. 5, Cat. 6A and Cat. 8 connectors. Equipped with 6 individual shutters protecting connectors contacts.

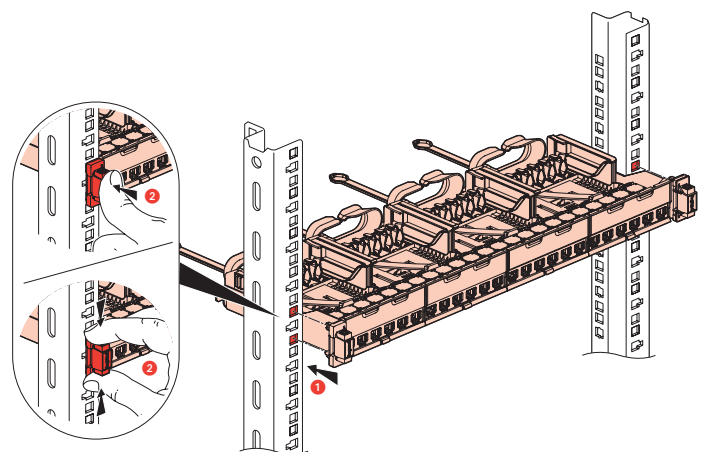
#### 0 337 95: High density cassette for empty straight panel

Bare removable cassette to be equipped with connectors, takes 12 Cat. 5e, Cat. 5 and Cat. 6A connectors.  
 Can be removed by simple pressing on the cassette, for ease of installation and maintenance.

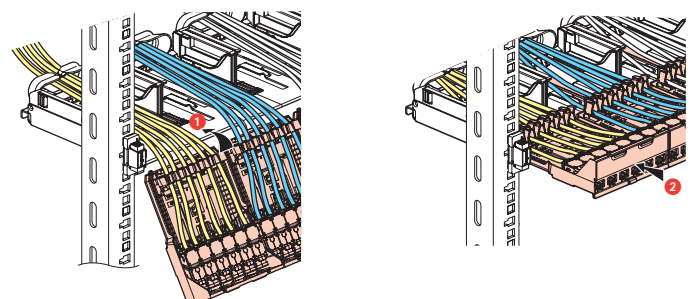
Description	Cat. No.	Number of ports	Weight (g)
Empty panel to be equipped with cassettes and RJ45 connectors	0 337 91	24 to 48	1179
Cassette to be equipped with 6 RJ 45 connectors	0 337 55	6	78.6
Cassette to be equipped with 6 RJ 45 connectors with shutters	0 337 66	6	85
HD cassette to be equipped with 12 RJ 45 connectors	0 337 95	12	67.8

### 2. POSITIONING

Connectors are connected at the front without a special tool.  
 - Individual connectors simply clip onto the panel  
 No need for cable ties: the cable is held in its cable guide in the cassette and by a concentric strand guide on the panel.  
 Mounting a panel



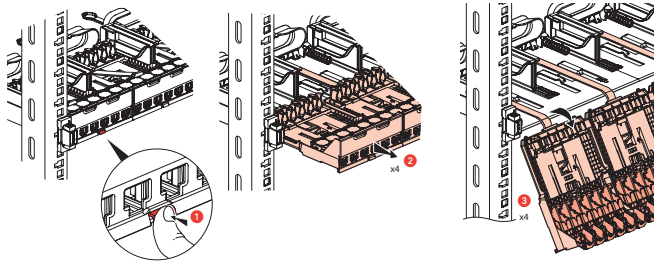
#### Mounting a cassette



# Straight panel to be equipped with connectors, without cassette Cassette for straight panel to be equipped with 6 and 12 RJ45 connectors

Cat. No(s): 0 337 55/66/91/95

## Removing a cassette



## 3. TECHNICAL CHARACTERISTICS

### 3.1 Materials

Panel: DC01 galvanised sheet steel

Cassette: Polycarbonate, ABS, PA 6/6, stainless steel, tinned brass, nickel silver

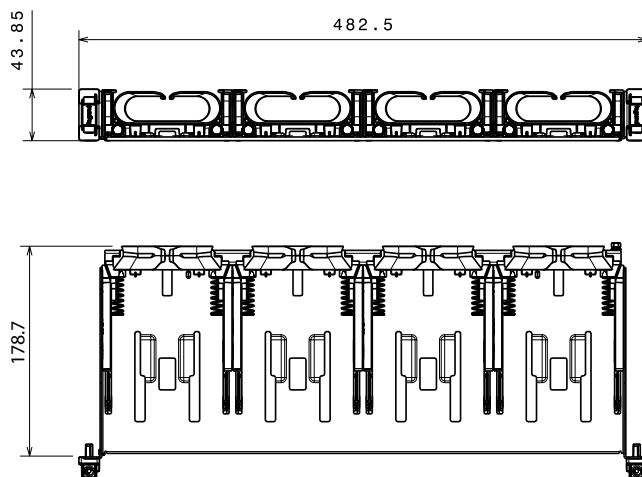
### 3.2 Climatic characteristics

Operating temperature : -10°C to +60°C

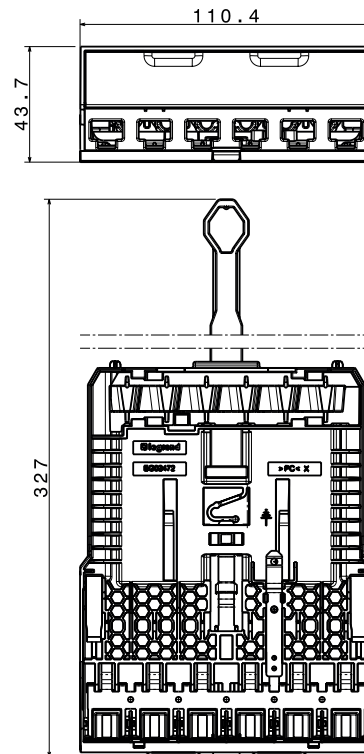
Humidity : 5% to 85% (without condensation)

## 4. DIMENSIONS

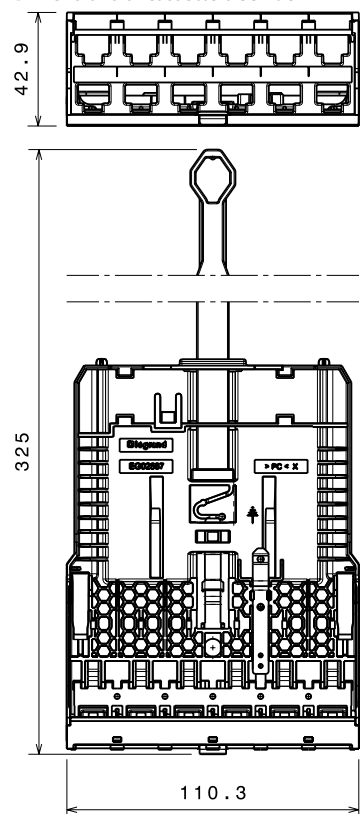
Dimensions of panel 0 337 91



Dimensions of cassette 0 337 55/66



Dimensions of cassette 0 337 95



## 5. ACCESSORIES

- **0 337 57:** Blanking cassette

Used to fill gaps in the panel.

- **0 337 56:** Port blanking plate

Blanking plate with 6 separable ports

Used to block up individually, partially or fully 1 to 6 ports (cassette with 6 ports) or 1 to 12 ports (HD cassette).

- **0 337 59:** Cable guide

2 cable guides to be clipped onto new-generation Soluclips.

Manages cables laterally by holding them and tilting them horizontally and vertically.