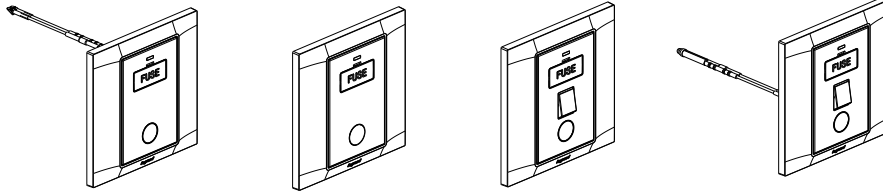


# Belanko™ S Fused connection unit

Cat. No(s): 6 17X 60/80/81/82



6 17X 60

6 17X 80

6 17X 81

6 17X 82

## CONTENTS

1. Use.....	1
2. Range.....	1
3. Preparation.....	1
4. Overall dimensions.....	1
5. Connection.....	2
6. Technical characteristics.....	2
7. Cleaning.....	2
8. Conformity - Approvals.....	2

## 1. USE

Overload protection.  
(Supplied with M3.5 screws for BS boxes. Flush mounting or surface mounting.)

## 2. RANGE

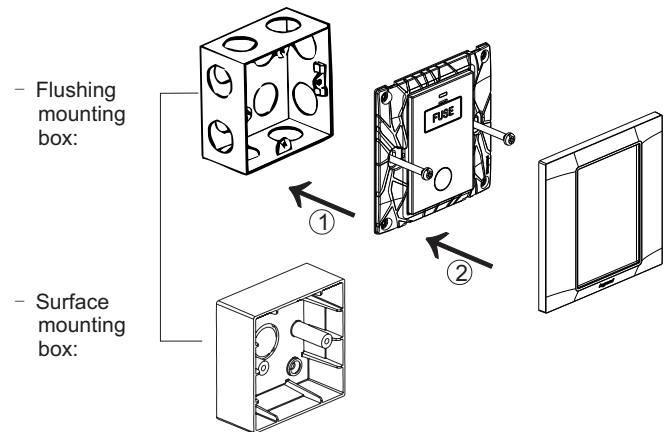
	Designation	Cat. No.	Weight(g)
	FCU USWTD + CORD + NEON	6 17X 60	93.6
	FCU UNSWTD + CORD OUTLET	6 17X 80	92.2
	FCU SWITCHED + CORD OUTLET	6 17X 81	95.5
	FCU SWITCHED + NEON + CORD	6 17X 82	99.6

## Colours

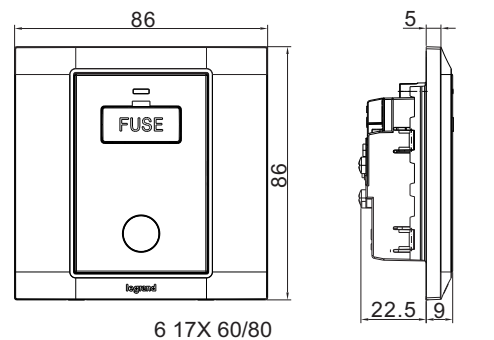
-Front: white/anthracite/ivory  
-Rear: grey  
6 176 XX White  
6 177 XX Anthracite  
6 178 XX Ivory

## 3. PREPARATION

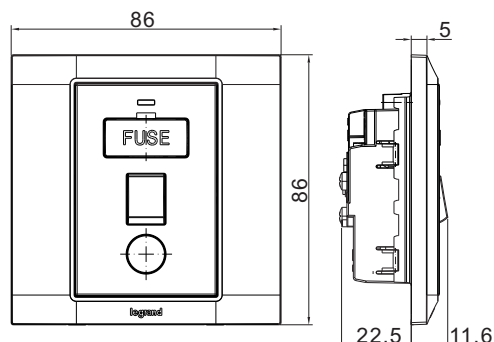
### 3.1 General preparation



## 4. OVERALL DIMENSIONS



6 17X 60/80



6 17X 81/82

Profile Size: 86×86mm  
Distance of installation hole: 60.3 mm  
Minimum depth of the box>35 mm

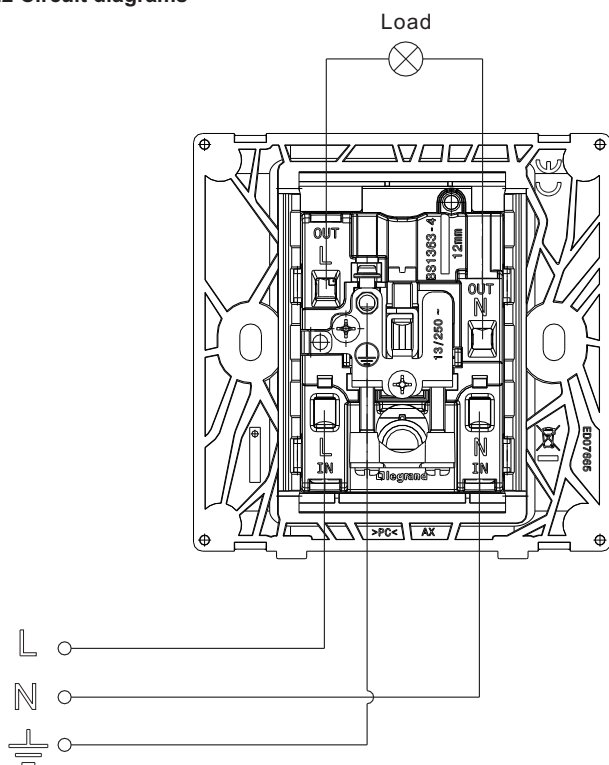
## 5. CONNECTION

### 5.1 Terminals

Terminal capacity: 4 X 1.5 mm<sup>2</sup>  
2 X 1.5 mm<sup>2</sup>  
1 X 4 mm<sup>2</sup>  
1 X 6 mm<sup>2</sup>

Recommended screwdriver size: <4 mm flat blade  
Recommended stripping length: 12 mm  
Recommended terminal tightening torque: 0.5Nm

### 5.2 Circuit diagrams



## 6. TECHNICAL CHARACTERISTICS

### 6.1 Material characteristics

Cover: Polycarbonate  
Plate: Polycarbonate  
Frame: Polycarbonate  
Base: PC  
Self-extinguishing:  
+ 850° C / 30 s for insulating parts holding live parts in place  
+ 650° C / 30 s for other parts made of insulating materials

### 6.2 Electrical characteristics

Voltage: 250V~  
Current: 13A

### 6.3 Climatic characteristics

Storage temperatures: -10°C to +70°C  
Operating temperatures: -5°C to +50°C

### 6.4 Mechanical characteristics

Impact test: IK04  
Protection against solids & liquids: IP20

## 7. CLEANING

Surface cleaning with a soft, slightly damp cloth.  
Do not use: acetone, tar remover, trichloroethylene

## 8. CONFORMITY - APPROVALS

Conform to BS1363-4.