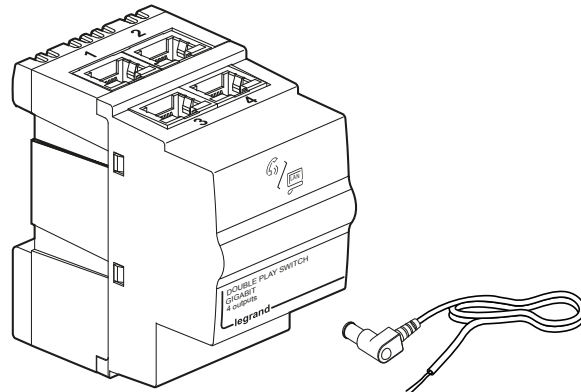
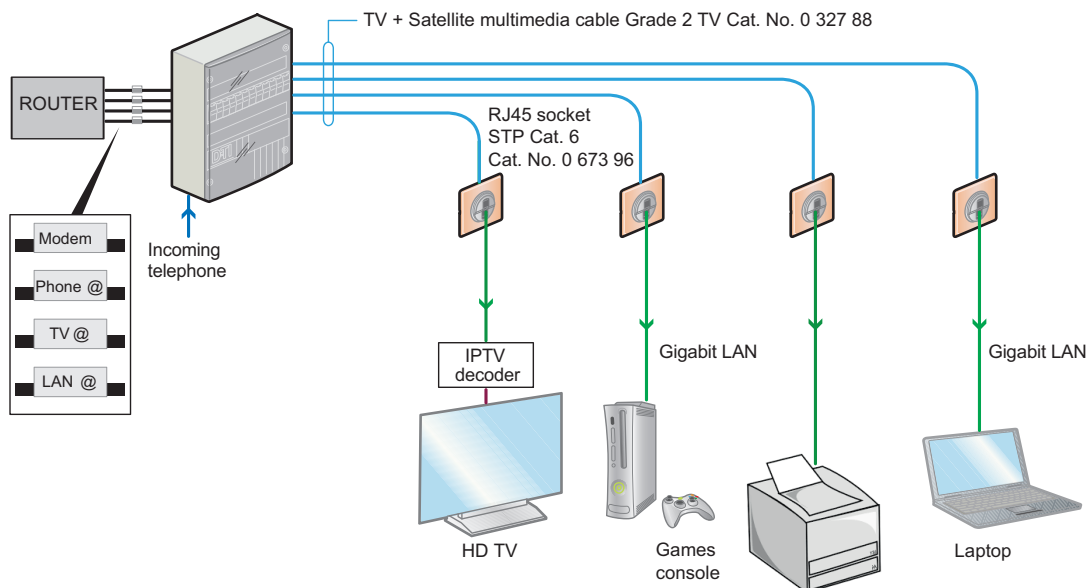


Double Play unit with 4 Gigabit outputs

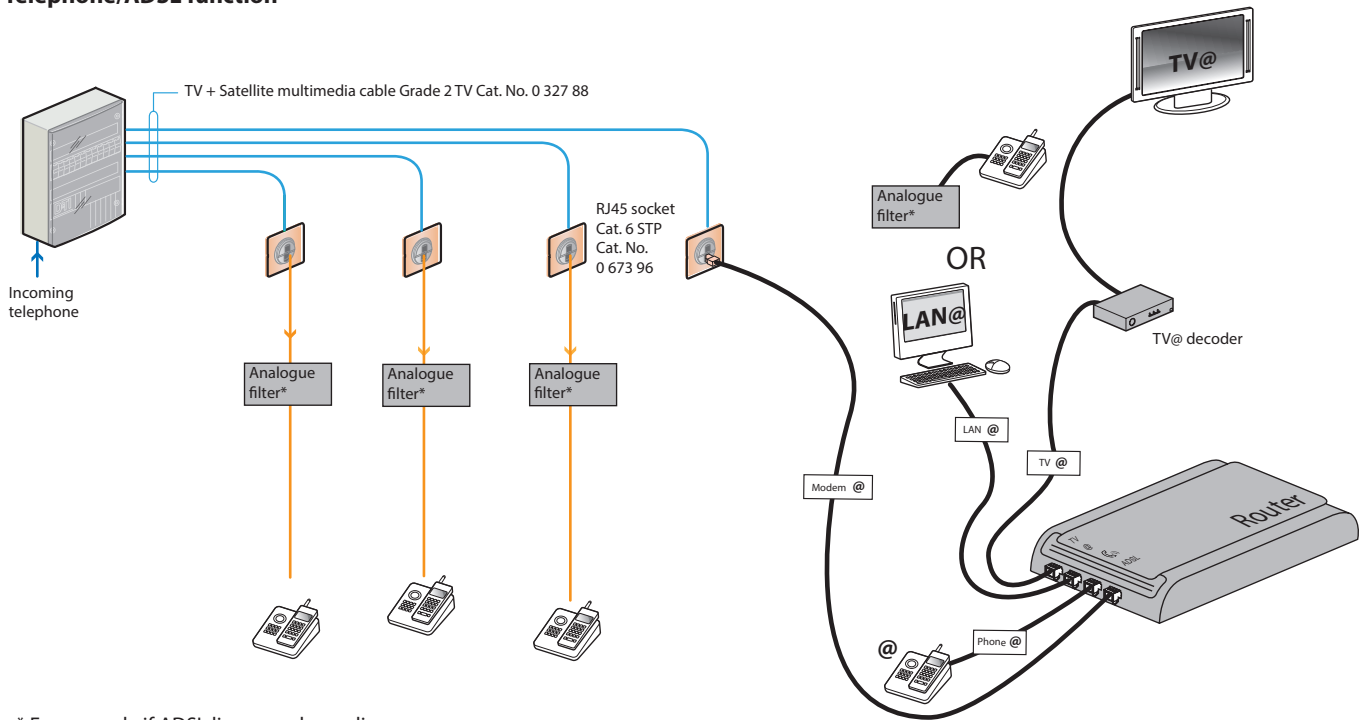
Cat. No: 4 131 21

**1. PRESENTATION**

- The Double Play unit can perform several functions: it can be used as an Ethernet switch or as a telephone/ADSL splitter.
- The device can be used to create a high-speed Ethernet network or to distribute the telephone or ADSL line to all the RJ45 sockets in the house.
- A selector switch is used to change from switch mode to telephone/ADSL mode.
- DIN rail mounting
- 2.5 DIN modules
- 4 RJ45 outputs
- 9 V power supply Cat. No. 4 130 17 (not supplied)

Ethernet switch function

Telephone/ADSL function

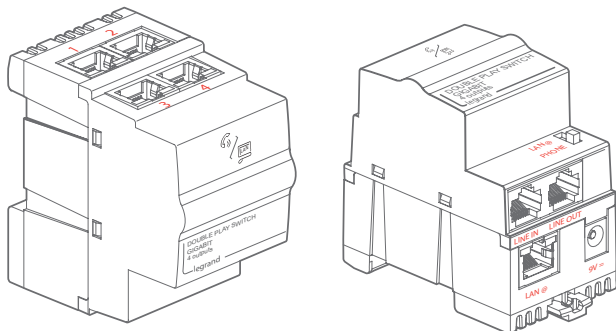


* For use only if ADSL line + analogue line

2. DIMENSIONS

Cat. No.	Height (mm)	Width (mm)	Depth (mm)	No. of modules	Weight
4 131 21	70	44.4	69.5	2.5	

3. DESCRIPTION



TECHNICAL CHARACTERISTICS

4.1 Mechanical characteristics

Plastic casing: PC RAL 7035
 IP20
 IK04
 Tensile resistance on DIN rail: 100 N

4.2 Electrical characteristics

3 speeds on all 4 ports: 10/100/1000 Mbps
 Power supply: 9 VDC - 0.31 A

4.3 Climate characteristics:

Storage temperature: -25 °C to +70 °C
 Usage temperature: +5 °C to + 40 °C

5. STANDARDS AND CERTIFICATIONS

IEEE802.3 10base-t Ethernet
 IEEE 802.3u 100 base-Tx Fast Ethernet
 IEEE802.3ab 1000base T Gigabit Ethernet
 EN 50491-5-2 EMC
 IEC 62368 Electrical safety
 RoHS directive