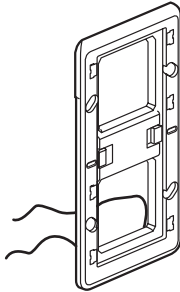
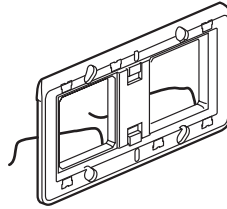


Mosaic™ illuminated/indicator support frames

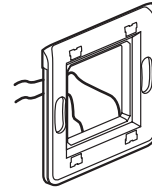
Cat. No(s) : 802 57/58/60/62



802 57



802 58



802 60

1. USE

Plastic support frames for mounting Mosaic mechanisms with under-plate illumination.

2. RANGE

| | Designation | Cat. No. | No. of modules | Fixing method | Weight (g) | Characteristics |
|--|---|----------|--------------------------------|----------------|------------|-----------------|
| | 2-gang support frame Vertical mounting for under-plate illumination | 802 57 | 2 gang (2x2 / 5 modules) | With screws | 33.54 | 230 V - 0.15 mA |
| | 2-gang support frame Horizontal mounting for under-plate illumination | 802 58 | 2 gang (4/5 modules) | With screws | 33.48 | 230 V - 0.15 mA |
| | 1-gang support frame for under-plate illumination | 802 60 | 1 gang (2/1 modules) | With screws | 19.22 | 230 V - 0.15 mA |
| | 1-gang support frame for under-plate indicator lighting | 802 62 | 1 gang (2/1 modules) | With screws | 19.22 | 230 V - 6 mA |

3. PREPARATION

Mount on flush-mounting boxes

To mount in surface-mounting frames, cut the frames' centering pins.

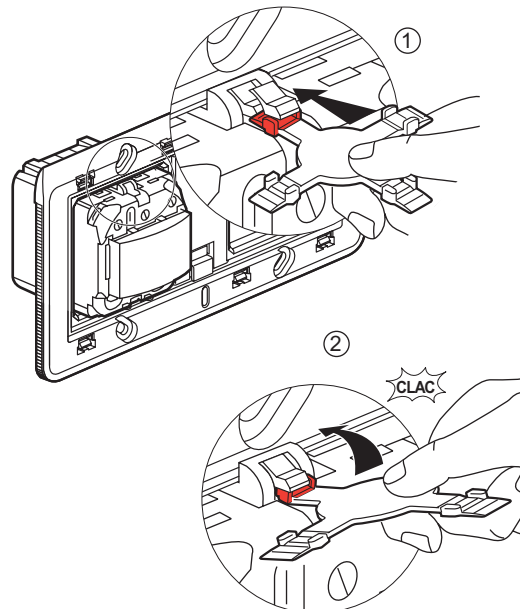
| Use | 4 modules | 2 x 2 modules | 5 modules |
|--------|---|---------------------------------|--|
| 802 57 | | Use plates : 788 22 - 790 22 | Remove the spacer Centre the modules : 788 25 - 790 25 |
| 802 58 | 4 modules Remove the spacer Clip the blanking plates : 791 04 Centre the modules Use plates : 788 14 - 790 14 | Use plates : 788 04 - 790 04 | Remove the spacer Centre the modules : 788 15 - 790 15 |

3. PREPARATION (continued)

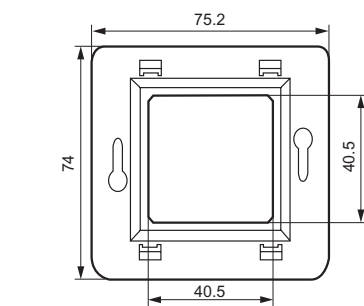
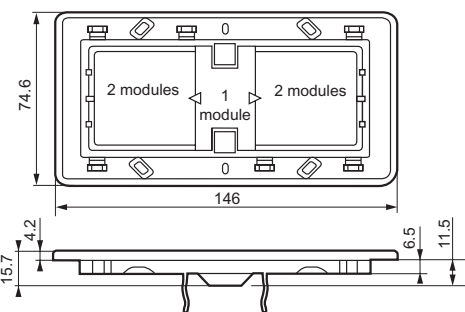
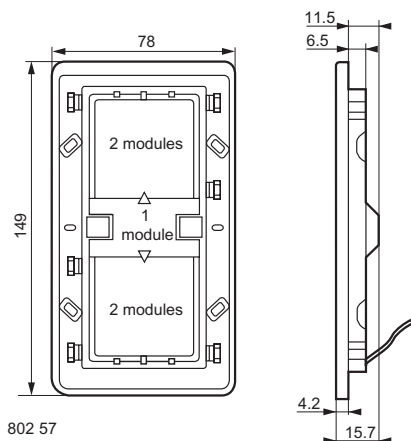
Cat. No. 802 58 : Use the holding blocks supplied to ensure correct hold of rear-mounting mechanisms.

The products concerned are :

- Cat. No. 770 23 : individual roller shutter control via PLC.
- Cat. Nos 784 51/ 56 792 51/ 56 : automatic switches without override
- Cat. No. 785 11 : illuminated obstacle indicator.
- Cat. No. 766 66 : Touch switch
- Cat. No. 784 10 : dimming auxiliary.



4. OVERALL DIMENSIONS



802 60/62

5. CONNECTION

By potential-free wire with length : 100 mm

6. MOUNTING

The support frames are screwed to flush-mounting boxes or surface-mounting frames.

7. TECHNICAL CHARACTERISTICS

7.1 Material characteristics

Support frame : Polycarbonate + glass fiber

7.2 Electrical characteristics

7.3 Climatic characteristics

Storage temperatures : - 10°C to + 70°C

Operating temperatures : - 5°C to + 50°C

8. CLEANING

Surface cleaning with a cloth.

Do not use : acetone, tar remover, trichloroethylene.

8.1 Resistance to cleaning agents

Resistance to the following agents : Hexane (EN 60669-1), Methylated spirits, Soapy water, Diluted ammonia, Pure bleach diluted 10%, Glass cleaning substance, Pre-impregnated wipes.

8.2 Resistance to hospital-type cleaning agents

Resistance to the following agents : Anios, Surfanios, Bactily sine, Diluted hydrogen peroxide (35%).

Caution :

A preliminary test should be carried out if other specific cleaning products are to be used.