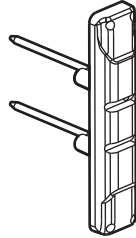
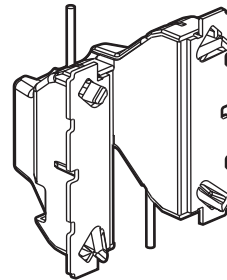


Light indicators

Cat. No(s): 0 676 64/70/84/85/86/87/88
6 650 90/91



0 678 85/86/87/88



0 676 70

1. USE

Illuminated and signalling indicators.
Connection by direct or independant mounting with lamp free maintenance (LED).

2. RANGE

ILLUMINATED INDICATORS

	Illuminated indicator 230 V~	0 676 86
	Illuminated indicator 12/24/48 V~	0 676 87
	Illuminated indicator 230 V~	6 650 90

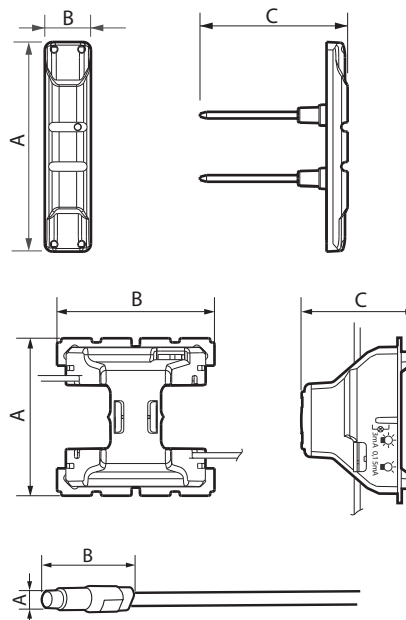
SIGNALLING / ILLUMINATED INDICATOR

	Separate indicator with luminous ring for signalling or illumination function 230 V~	0 676 70
--	--	----------

SIGNALLING INDICATORS

	Signalling indicator fo existing wiring 230 V~	0 676 85
	Signalling function for distributed phase 230 V~	0 676 88
	Signalling indicator for socket outlet controlled 230 V~	0 676 64
	Signalling indicator 230 V~	6 650 91

3. DIMENSIONS (mm)



Cat. Nos	A	B	C
0 676 85/86/87/88	31,7	7	22,4
0 676 70	45,15	45,05	30,5
6 650 90/91	36,5	17,25	9,7
0 676 64	6,8	25,25	-

4. CONNECTION

Cat. Nos	Type of connection
0 676 85/86/87/88	With pins
0 676 70	2-wires connection
0 676 64	2-wires connection
6 650 90/91	2-wires connection

5. TECHNICAL CHARACTERISTICS**■ 5.1 Mechanical characteristics**

Protection against solid bodies and liquids: IP 40 (mounted)
IP 20 (alone)

Impact tests: IK 04

■ 5.2 Material characteristics

Halogen-free

Self-extinguishing:

850° C / 30 s for insulating parts holding live parts in place.

650° C / 30 s for other parts made of insulating materials.

■ 5.3 Electrical characteristics

Cat. Nos	Voltage	Current
0 676 86	230 V~	0.15 mA
0 676 87	12 V~	0.4 mA
	24 V~	1.2 mA
	48 V~	3.7 mA
0 676 85/88	230 V~	3 mA
0 676 70	230 V~	3 mA signalling 0.15 mA illuminated
0 676 61	12/24 V~	27 mA
0 676 64	230 V~	2.4 mA
6 650 90	230 V~	0.15 mA
6 650 91	230 V~	3 mA

■ 5.4 Climatic characteristics

Storage and operating temperature: - 5° C to + 35° C

6. CLEANING

Surface cleaning with a cloth.

Do not use: acetone, tar remover, trichloroethylene.

7. STANDARDS AND APPROVALS

Compliant with installation and manufacturing standards.

See e-catalogue.