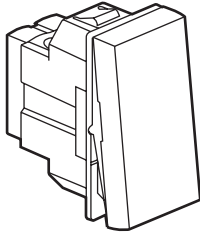
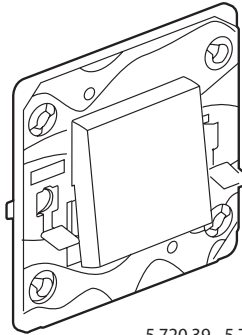


Arteor™ Intermediate switches

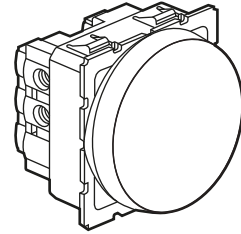
Cat. no(s): 5 700 08 - 5 710 08 - 5 720 08/38/39 - 5 721 65/66
5 725 08/38/39 - 5 730 63/64/67 - 5 731 63/64



5 700 08 - 5 710 08 - 5 720 08 - 5 725 08



5 720 39 - 5 725 39



5 730 63 - 5 731 63/67

1. USE

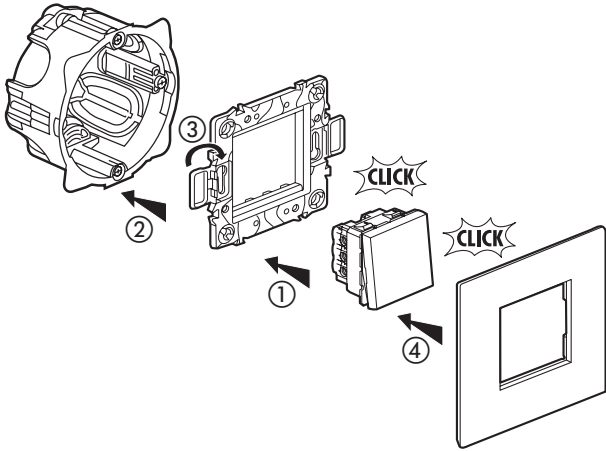
General lighting control mechanisms.

2. RANGE

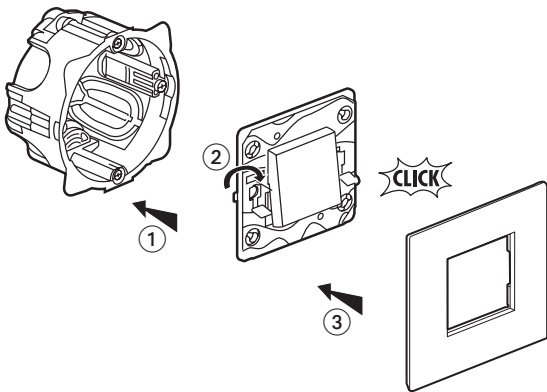
Designation	Finishes				Number of modules	Connection method	Weight (g)	Characteristics
	White	Magnesium	Soft Alu	Champagne				
Intermediate switch square	5 720 08	5 725 08	5 710 08	5 700 08	1	with screws	30	10 AX - 250 VAC
Intermediate switch square	5 720 38	5 725 38	5 721 65	5 721 66	2	with screws	42	6/10 AX - 250 VAC
Intermediate switch 1-gang square	5 720 39	5 725 39	-	-	2	with screws	72	6/10 AX - 250 VAC
Intermediate switch round	5 730 63	5 731 63	5 730 67	-	2	with screws	41	6/10 AX - 250 VAC
Intermediate switch 1-gang round	5 730 64	5 731 64	-	-	2	with screws	71	6/10 AX - 250 VAC

3. PREPARATION

The mechanisms can be flush-mounted or surface-mounted.

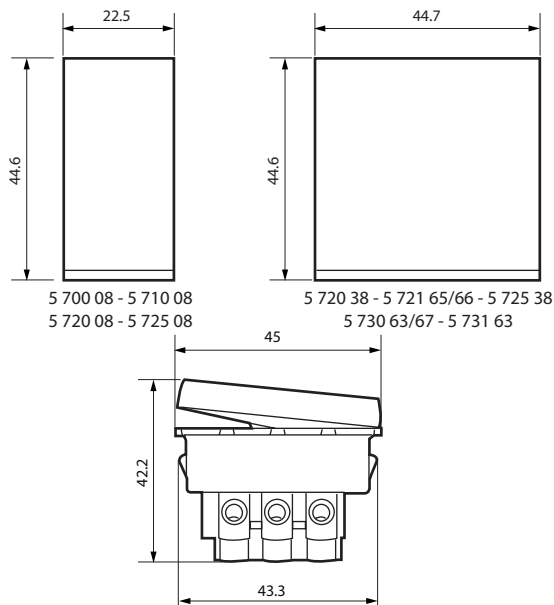


For: 5 700 08 - 5 710 08 - 5 720 08/38 - 5 721 65/66 - 5 725 08/38
5 730 63 - 5 731 63

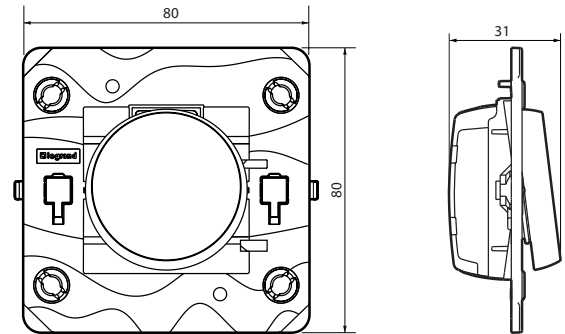


For: 5 720 39 - 5 725 39 - 5 730 64 - 5 731 64

4. OVERALL DIMENSIONS



4. OVERALL DIMENSIONS (continued)



5 720 39 - 5 725 39 - 5 730 64 - 5 731 64

5. CONNECTION

Terminals: with screws
Capacity and stripping:

	Capacity			Stripping
	4 x 2.5 mm ²	1 x 4 mm ²	1 x 6 mm ²	
5 700 08 - 5 710 08 5 720 08 - 5 725 08				8 mm
5 720 38/39 - 5 721 65/66 5 725 38/39 - 5 730 63/64 5 731 63/64/67	2 x 2.5 mm ²	1 x 4 mm ²	-	10 mm

Screwdriver: 4 mm flatblade up to 5.5 mm

6. OPERATION

Switching mechanism

7. TECHNICAL CHARACTERISTICS

7.1 Mechanical characteristics

Impact tests: IK 04
Protection by solid bodies / liquids: IP 40 (mounted)
IP 20 (alone)

7.2 Material characteristics

Rocker: Polycarbonate
Base: Polycarbonate
Basket: Polypropylene

7.3 Electrical characteristics

Voltage: 250 VAC
Current: 6/10 AX
Self-extinguishing: 650° C / 30 s

7.4 Climatic characteristics

Storage temperatures: - 10° C to + 70° C
Operating temperatures: - 5° C to + 50° C

8. CLEANING

Surface cleaning with a cloth.

Do not use: acetone, tar remover, trichloroethylene.

Resistance to the following agents: Hexane (EN 60669-1), Methylated spirits, Soapy water, Diluted ammonia, Diluted pure bleached 10%, Glass cleaning substance, Pre-impregnated wipes.

Caution: Always test before using other special cleaning products

7. STANDARDS AND APPROVALS

Compliance with installation and manufacturing standards.
Refer to e-catalogue.