

# PRODUCT DATASHEET

## PPRO MR16 43 36° DIM 7.8 W/2700K GU5.3

PARATHOM PRO MR16 | Dimmable low-voltage LED reflector lamps MR16 with retrofit pin base



### AREAS OF APPLICATION

- Shops
- Hospitality
- Museums, art galleries
- Residential interiors
- As a downlight for marking walkways, doors, stairs, etc.
- Spotlighting for accents
- Display cabinets and shop windows
- Spotlighting heat-sensitive objects such as food, plants, etc.
- Outdoor applications only in suitable luminaires

### PRODUCT BENEFITS

- Short payback period thanks to low energy consumption and maintenance costs
- Premium light quality thanks to high color rendering index and narrow binning
- Easy replacement of halogen lamps due to compact full glass design and single optic

### PRODUCT FEATURES

- Very high color rendering ( $R_a : 90$ )
- Very high color consistency:  $\leq 4$  SDCM
- Dimmable (with many common dimmers, see also [www.ledvance.com/dim](http://www.ledvance.com/dim))
- Made in Germany (versions up to 20 W)
- Mercury-free lamps



## TECHNICAL DATA

### Electrical data

Rated wattage	7.80 W
Nominal wattage	7.80 W
Nominal voltage	12 V
Claimed equiv. conventional lamp power	43 W
Operating frequency	50...60 Hz
Power factor $\lambda$	> 0.50

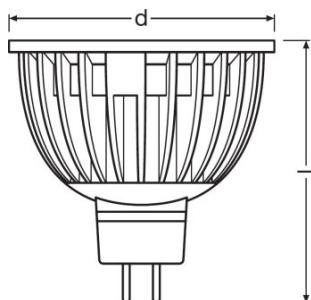
### Photometrical data

Nominal luminous flux	500 lm
Rated luminous flux	500 lm
Rated color temperature	2700 K
Lumen main.fact.at end of nom.life time	0.70
Light color (designation)	Warm White
Color temperature	2700 K
Luminous flux	500 lm
Color rendering index Ra	97
Standard deviation of color matching	$\leq 3$ sdcn
Color rendering index Ra	97
Nominal useful luminous flux 90°	500 lm
Rated useful luminous flux 90°	500 lm
Rated peak intensity	1150 cd

### Light technical data

Beam angle	36 °
Warm-up time (60 %)	< 0.50 s
Starting time	< 0.5 s
Nominal beam angle	36 °
Rated beam angle (half peak value)	36.00 °

Dimensions & weight



<b>Overall length</b>	53.0 mm
<b>Diameter</b>	51.0 mm
<b>Outer bulb</b>	MR51
<b>Length</b>	53.0 mm
<b>Maximum diameter</b>	51.0 mm

Temperatures & operating conditions

<b>Maximum temperature at tc test point</b>	90 °C
---	-------

Lifespan

<b>Nominal lamp life time</b>	40000 h
<b>Rated lamp life time</b>	40000 h
<b>Number of switching cycles</b>	1000000

Additional product data

<b>Base (standard designation)</b>	GU5.3
<b>Mercury content</b>	0.0 mg
<b>Mercury-free</b>	Yes
<b>Show WEEE picto</b>	Yes
<b>Product remark</b>	All technical parameters apply to the entire lamp/Due to the complex production process for light-emitting diodes, the typical values shown for the technical LED parameters are purely statistical values that do not necessarily match the actual technical parameters of each individual product, which can vary from the typical value

Capabilities

<b>Dimmable</b>	Yes
-----------------	-----

Certificates & standards

<b>Energy efficiency class</b>	A
--------------------------------	---

Energy consumption

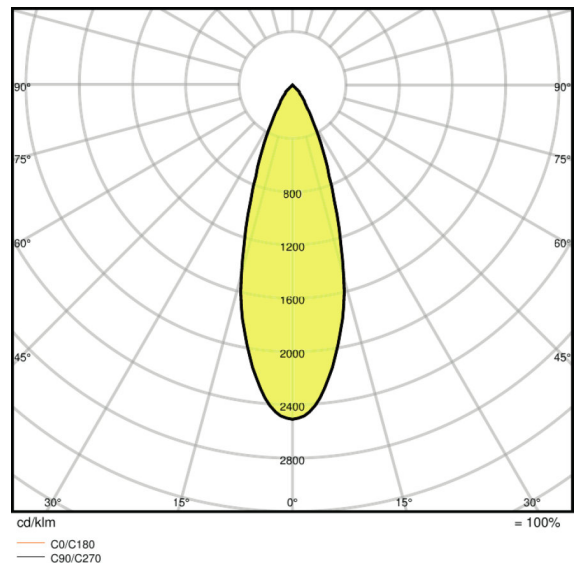
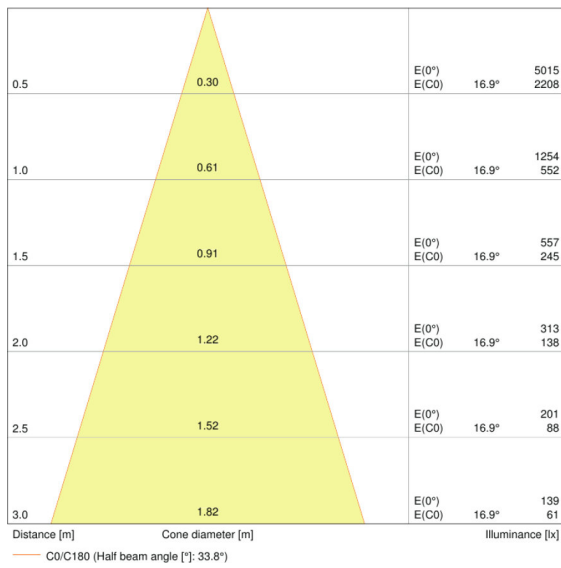
8 kWh/1000h

Country-specific categorizations

Order reference

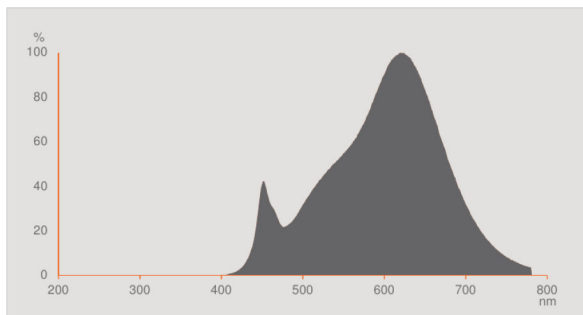
LPMR16D4336 7,8

Light Distribution



LDC typ cone

LDC typ polar



Spectral power distribution

**LOGISTICAL DATA**

Product code	Packaging unit (Pieces/Unit)	Dimensions (length x width x height)	Gross weight	Volume
4058075095069	Folding carton box 1	49 mm x 49 mm x 62 mm	72.00 g	0.15 dm <sup>3</sup>
4058075095076	Shipping carton box 10	255 mm x 107 mm x 72 mm	808.00 g	1.96 dm <sup>3</sup>

The mentioned product code describes the smallest quantity unit which can be ordered. One shipping unit can contain one or more single products. When placing an order, for the quantity please enter single or multiples of a shipping unit.

**REFERENCES / LINKS**

For dimming conformity see

- ▶ [www.ledvance.com/dim](http://www.ledvance.com/dim)

For further products and actual information concerning LED lamps see

- ▶ [www.ledvance.com/ledlamps](http://www.ledvance.com/ledlamps)

For Guarantee see

- ▶ [www.ledvance.com/guarantee](http://www.ledvance.com/guarantee)

Further information see

- ▶ [www.ledvance.com/low-voltage-ledlamps](http://www.ledvance.com/low-voltage-ledlamps)

**DISCLAIMER**

Subject to change without notice. Errors and omission excepted. Always make sure to use the most recent release.