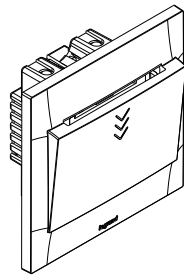


# Belanko™ S Key card switch

Cat. No(s): 6 17X 12



6 17X 12

## CONTENTS

1. Use.....	1
2. Range.....	1
3. Preparation.....	1
4. Overall dimensions.....	1
5. Connection.....	2
6. Technical characteristics.....	2
7. Cleaning.....	2
8. Conformity - Approvals.....	2

## 1. USE

Suitable for the control of hotel room power. Time delay of approx. 30s after card removal. Complete delivered.  
(Supplied with M3.5 screws for BS boxes. Flush mounting.)

## 2. RANGE

	Designation	Cat. No.	Weight(g)
	1G KEY CARD SWITCH	6 17X 12	109.3

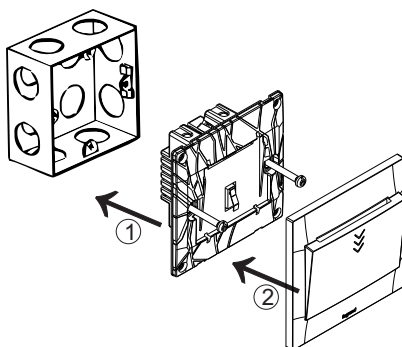
## Colours

- Front: white/anthracite/ivory
- Rear: grey
- 6 176 12 White
- 6 177 12 Anthracite
- 6 178 12 Ivory

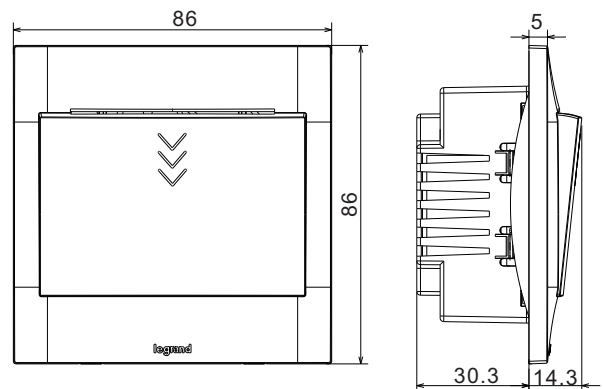
## 3. PREPARATION

### 3.1 General preparation

- Flushing mounting box:



## 4. OVERALL DIMENSIONS



6 17X 12

Profile Size: 86×86mm  
Distance of installation hole: 60.3 mm  
Minimum depth of the box>35 mm

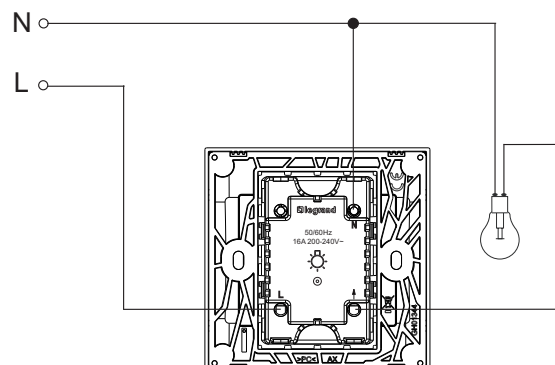
## 5. CONNECTION

### 5.1 Terminals

- Terminal capacity: 3 X 1 mm<sup>2</sup>
- 3 X 1.5 mm<sup>2</sup>
- 2 X 2.5 mm<sup>2</sup>
- 1 X 4 mm<sup>2</sup>

Recommended screwdriver size: <4 mm flat blade  
Recommended stripping length: 12 mm

### 5.2 Circuit diagrams



## 6. TECHNICAL CHARACTERISTICS

### 6.1 Material characteristics

Plate: Polycarbonate

Frame: Polycarbonate

Base: PC

Self-extinguishing:

+ 850° C / 30 s for insulating parts holding live parts in place

+ 650° C / 30 s for other parts made of insulating materials

### 6.2 Electrical characteristics

Voltage: 200 - 240V~ 50/60Hz

Current: 16A

### 6.3 Climatic characteristics

Storage temperatures: -10°C to +70°C

Operating temperatures: -5°C to +50°C

### 6.4 Mechanical characteristics

Impact test: IK04

Protection against solids & liquids: IP20

## 7. CLEANING

Surface cleaning with a soft, slightly damp cloth.

Do not use: acetone, tar remover, trichloroethylene

## 8. CONFORMITY - APPROVALS

Conform to IEC 60669-2-1.