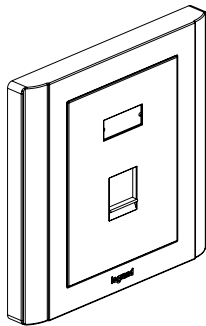
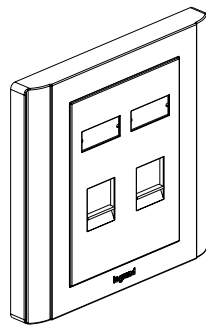


Faceplate 1 or 2 ports (flat or angled) - Keystone connectors

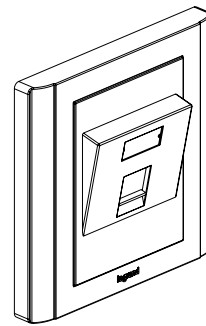
Cat. No : 6 327 94/95/96/97



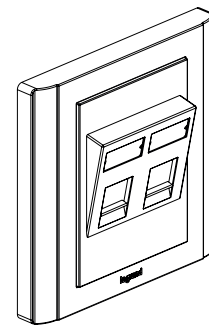
6 327 94



6 327 95



6 327 96



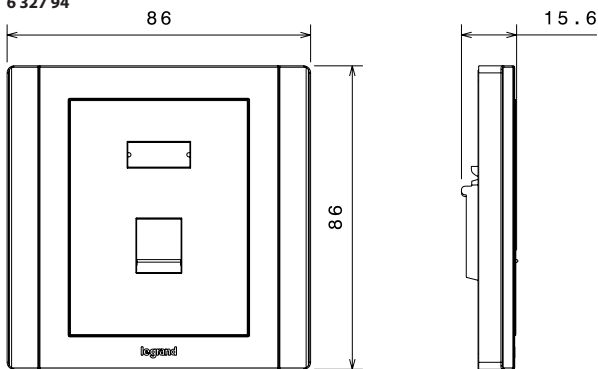
6 327 97

1. GENERAL CHARACTERISTICS

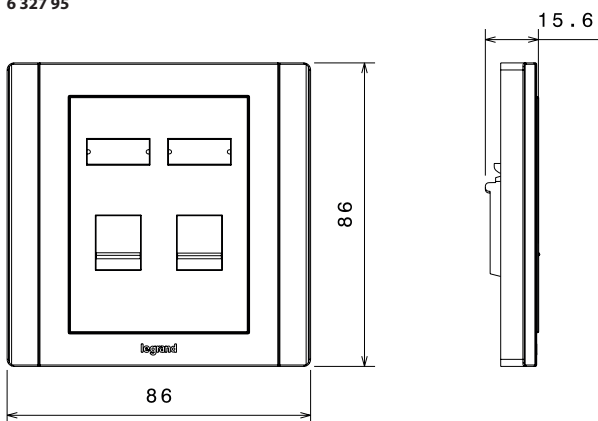
Faceplate 1 or 2 ports box (angled or no) with registration windows.
 For keystone connectors
 Provides a solution for the integration of a keystone connector in installations.
 Color : white

2. OVERALL DIMENSIONS

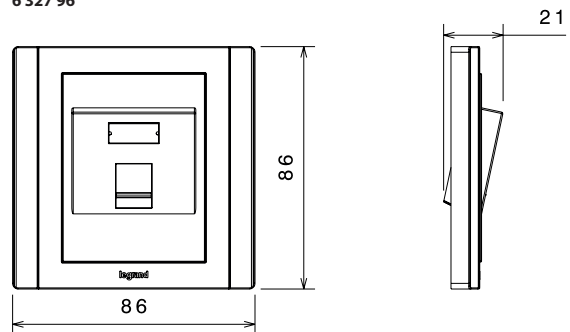
6 327 94



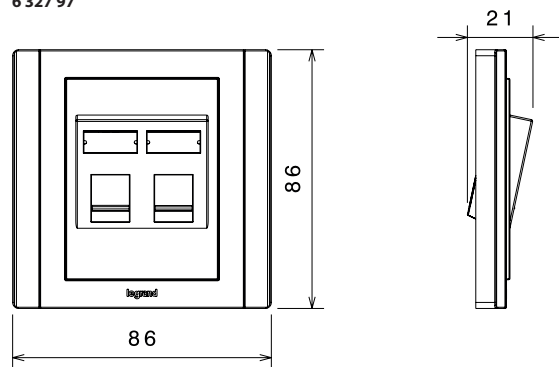
6 327 95



6 327 96

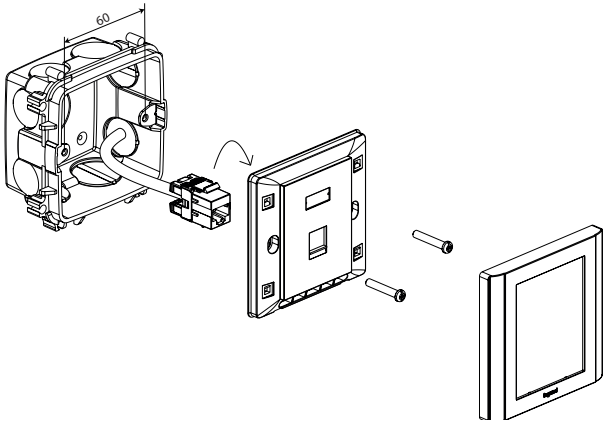


6 327 97

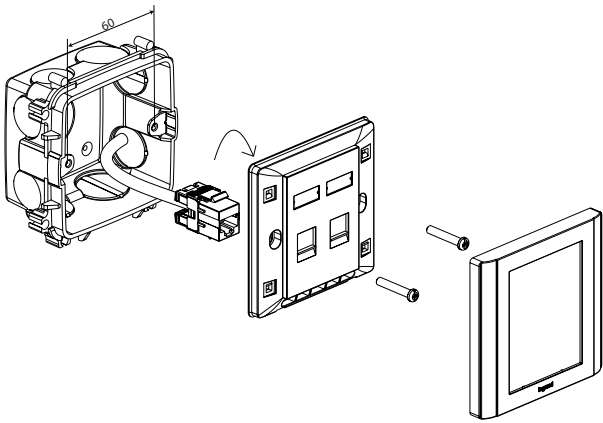


3. INSTALLATION

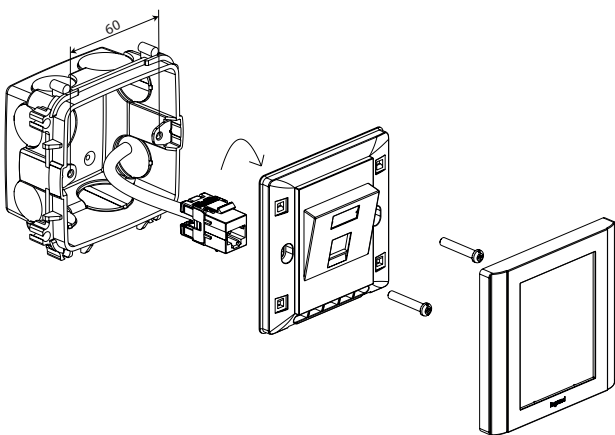
6 327 94



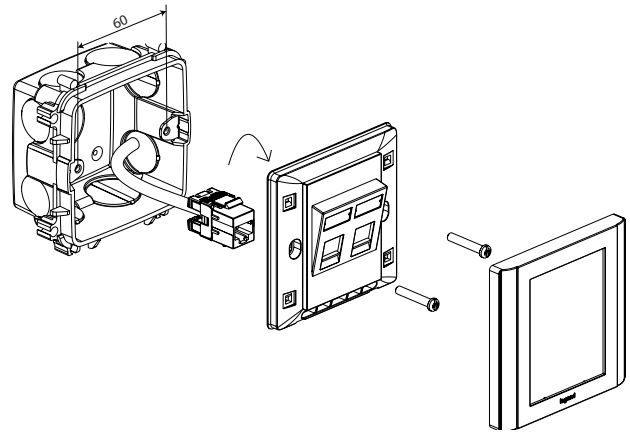
6 327 95



6 327 96



6 327 97



4. MATERIAL

All plastic parts : PC
Spring an screws : steel