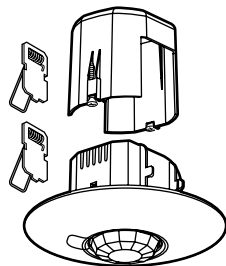


# PIR detector switch

Catalogue number(s): 0 488 07



CONTENTS	Page
1. Use	1
2. Technical characteristics	1
3. Overall dimensions	1
4. Connection	2
5. Installation	2
6. Disassembly	2
7. Settings	3
8. Performance	3
9. Cleaning	4
10. Standards	4

## 1. USE

This device automatically controls a light source by detecting movement in its supervision zone.

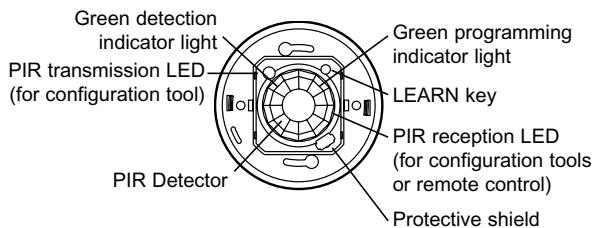
360° detection angle motion detector  
Detection type: infra-red (PIR)  
Mounting: ceiling

## 2. TECHNICAL CHARACTERISTICS

Voltage: 100-240 V~  
Frequency: 50 / 60 Hz  
No-load power consumption: 0,4W  
Output by normally open contact connected to phase  
Wiring: 2 x 2.5 mm<sup>2</sup>  
Flush-mounting diameter: 65 mm without flush-mounting box,  
68 mm with flush-mounting box

Weight: 114 g  
Impact resistance: IK04  
Penetration by solid bodies and liquids: IP41 installed product.  
Operating temperature: -5°C to +45°C  
Storage temperature: -20°C to +70°C

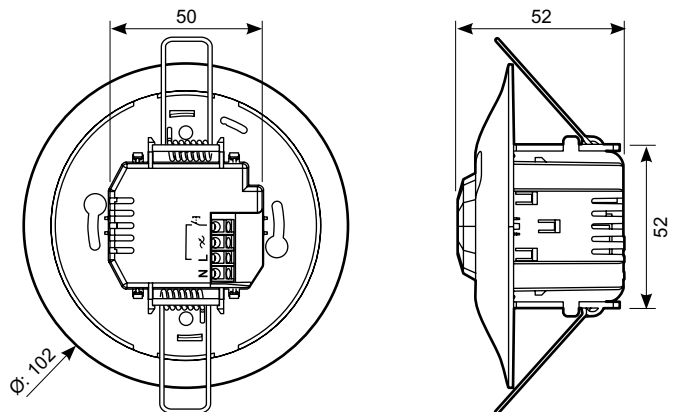
### Cover removed



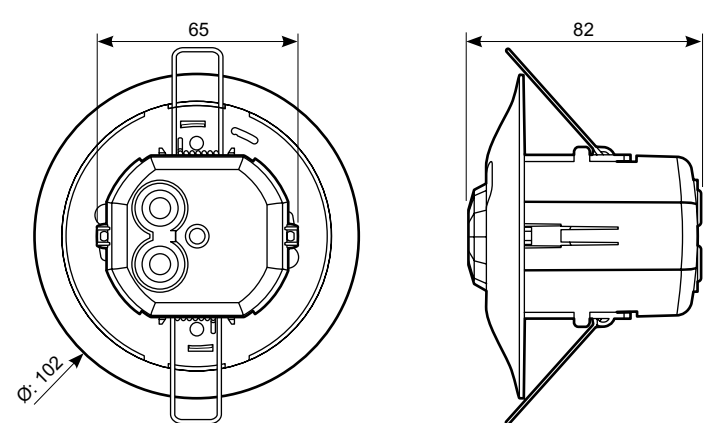
- ① Incandescent lamp
- ② Halogen lamp
- ③ Halogen lamp with separate ferromagnetic or electronic transformer
- ④ Fluorescent tubes
- ⑤ Compact fluorescent lamp with integrated ballast
- ⑥ Compact fluorescent lamp with separate ferromagnetic or electronic ballast
- ⑦ Contactors

## 3. OVERALL DIMENSIONS

Without protective cover



With protective cover

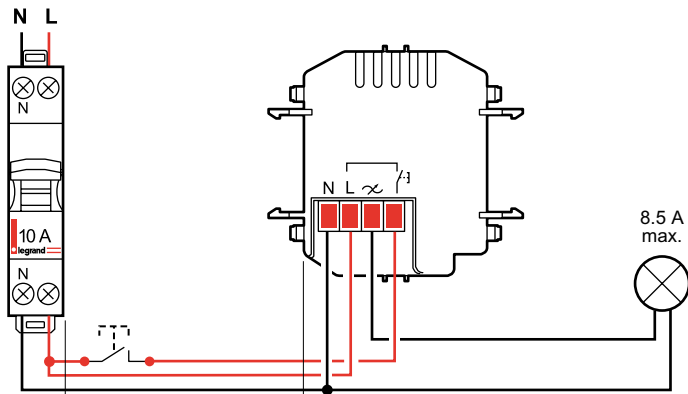


①		②		③		④		⑤		⑥		⑦	
230 V~	2000 W	8.5 A	2000 W	8.5 A	1000 VA	4.3 A	10x(2x36 W)	4.3 A	500 VA	2.1 A	1000 VA	4.3 A	I max. ≤ 2A
110 V~	1000 W	8.5 A	1000 W	8.5 A	500 VA	4.3 A	5x(2x36 W)	4.3 A	250 VA	2.1 A	500 VA	4.3 A	

## 4. CONNECTION

Number of terminals: 4  
 Terminal type: automatic  
 Terminal capacity: 2 x 2.5 mm<sup>2</sup>  
 Stripping length: 8 mm

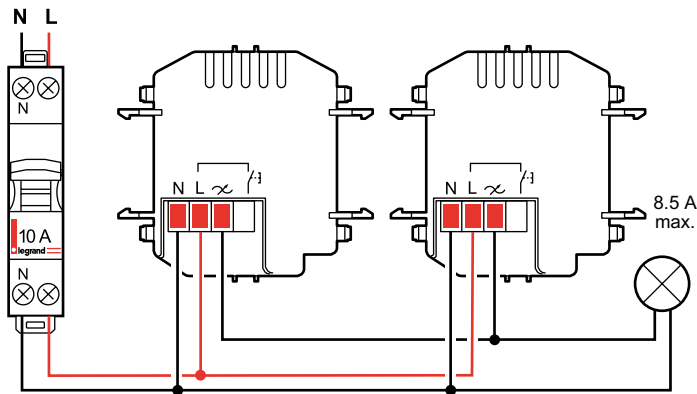
### Cabling with auxiliary control Manual on/Auto off



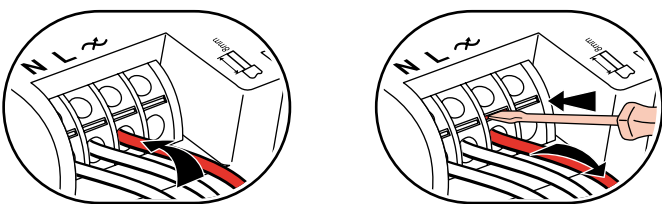
Pressing the auxiliary control allows the load to be switched on or off manually. If no action is performed on the control, the detector will cut off the related load at the end of the time delay or when the Daylight setpoint is reached.

### Cabling without auxiliary control: Auto on/Auto off

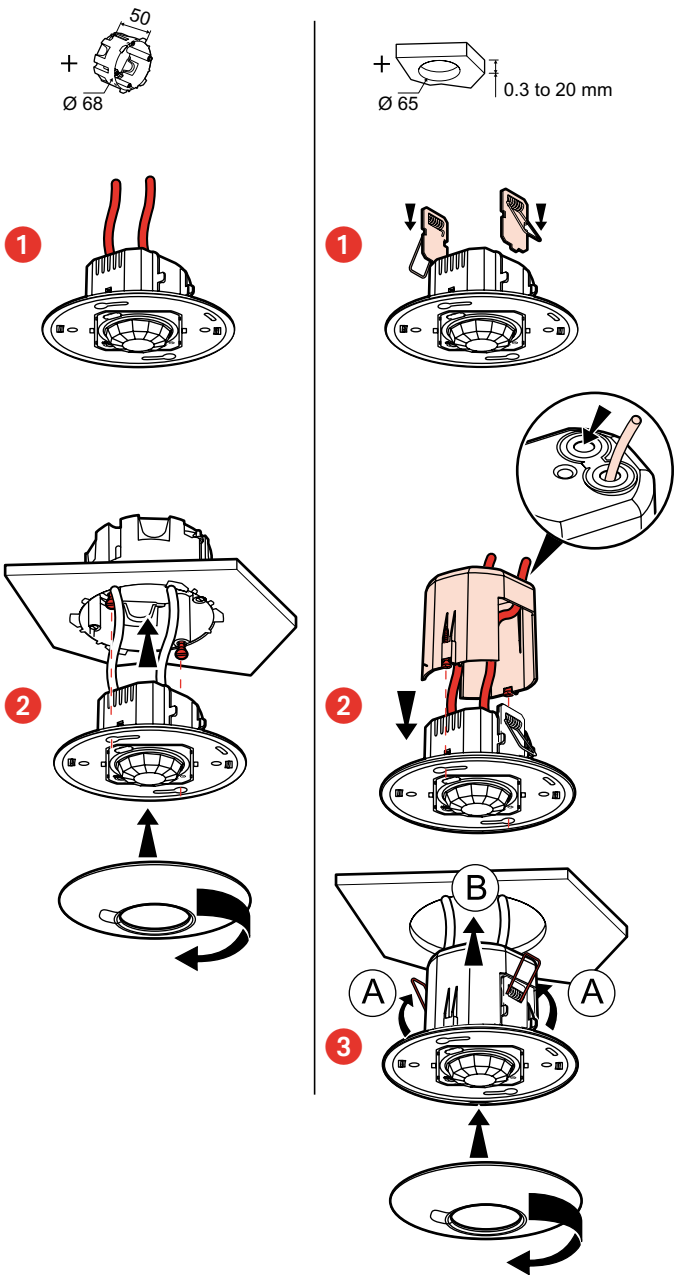
The load will be switched on and off automatically.  
**Option:** Detector control using infra-red remote control.



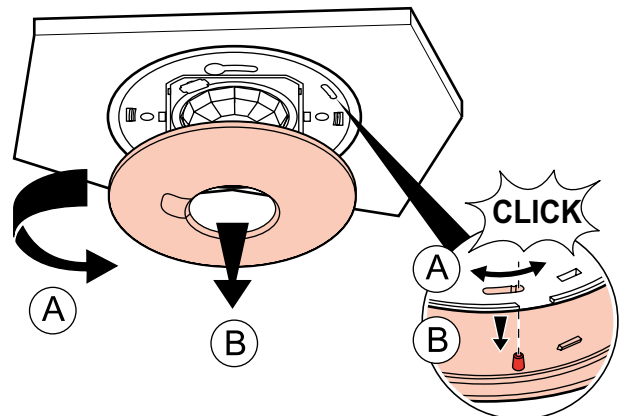
### Wiring



## 5. INSTALLATION



## 6. DISASSEMBLY



## 7. SETTINGS

### - Parameters:

Sensor parameters		Default value	Modifiable parameters	Configuration tools	
				088230	088235
Time delay	15 mn	3,5,10,15,20 mins 0 - 59 mins 59 secs	-	✓	
			✓	-	
Sensitivity	PIR (very high)	Low, medium, high, very high	✓	✓	
Daylight setpoint	500 lux	20, 100, 300, 500, 1000 lux	-	✓	
		0 - 1275 lux	✓	-	
Modes	Auto on/Auto off	Inactive	Enabled/Disabled	✓	✓
	Walkthrough	Active	Enabled/Disabled	✓	✓
	Manual on/Auto off	Inactive	Enabled/Disabled	✓	✓
Detection scheme	Initial	PIR	Non-modifiable	✓	-
	Maintain	PIR	Non-modifiable	✓	-
	Retrigger	PIR	PIR/Disabled	✓	-
Alert	Inactive	Enabled/Disabled	✓	-	
Advanced mode	Calibration	-	0 - 99995 lux	✓	-
	Light regulation	Active	Enabled/Disabled	✓	-
	Provision of light	Auto	Auto - 1275 lux	✓	-

**Time delay:** Time for which light is switched on following detection.

**Sensitivity:** Detector range setting.

**Daylight setpoint:** Brightness value below which the light is switched on and above which the light is switched off.

#### Auto on/Auto off mode:

The light is switched on automatically:

- When presence is detected, if the natural brightness is too low.

The light is switched off automatically:

- Where no presence is detected and at the end of the time delay set.

- Or if there is a sufficient level of natural light (activated setting).

Any new detection causes an automatic switch on if there is insufficient light.

#### Walkthrough:

- If there is no presence detected in the 3 minutes following an initial detection, the product will cut off after 3 minutes.

- If a new presence is detected in the 3 minutes following the initial detection, the device will cut off at the end of the time delay set.

#### Manual on/Auto off mode:

Comes on via a manual switch, automatic switch off:

- Where no presence is detected and at the end of the time delay set.

Following switch off, any new detection within a 30-second period will cause the device to be switched on automatically.

After 30 seconds the device is switched on via a manual switch.

**Initial detection:** Light switched on from first detection.

**Maintain:** The load remains active if any new presence is detected.

**Retrigger:** Function allowing automatic start of the product at the end of 30 seconds following the load being switched off.

Upon being switched off, any new detection within a 30-second period will cause the device to be switched on automatically.

After 30 seconds the device must be switched on manually.

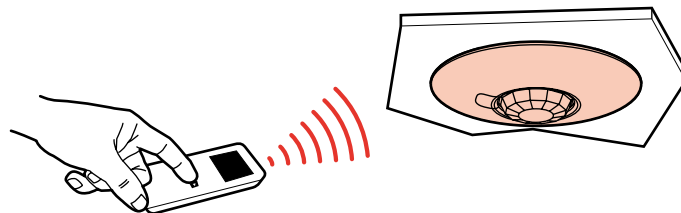
**Calibration:** The surrounding level of light measured with a luxmeter will then have to be transmitted to the detector.

**Light regulation:** Light switched off automatically 10 minutes after the Daylight setpoint has been exceeded. If the light level is below the Daylight setpoint, the light is activated automatically after 20 seconds.

**Provision of light:** Quantity of additional lux provided when the light is switched on.

## 7. SETTINGS (cont.)

### - Modifying parameters using configuration tools



• 0 882 35: Simplified configuration tool

• 0 882 30: Advanced configuration tool

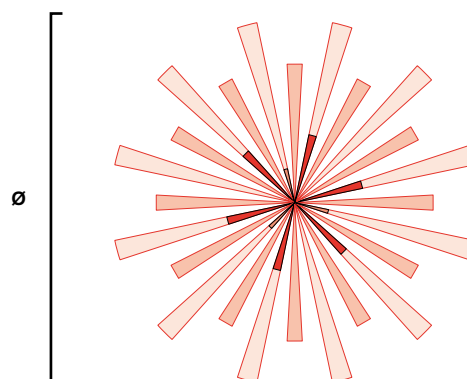
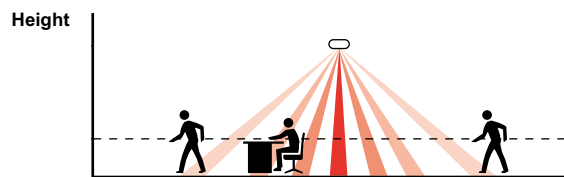
When the detector receives an PIR command from a configuration tool, it emits a beep acknowledging the modification.

### - Return to factory settings:

First press: Press LEARN briefly, the LED blinks slowly.

Second press: Keep LEARN pressed down for 10 seconds until the LED blinks rapidly.

## 8. PERFORMANCE



Height (m)	Sensitivity Low (25%)		Sensitivity Medium (50%)	
	Ø (m)	Surface area (m <sup>2</sup> )	Ø (m)	Surface area (m <sup>2</sup> )
	2.5	4	15	6
3	5.5	25	6.5	35
4	6.5	35	7.5	45
5	6	30	10.5	90
6	4	15	5.5	25

Height (m)	Sensitivity High (75%)		Sensitivity Very-high (100%)	
	Ø (m)	Surface area (m <sup>2</sup> )	Ø (m)	Surface area (m <sup>2</sup> )
	2.5	6.5	30	8
3	8.5	60	11.5	100
4	12.5	125	14	155
5	12	115	16.5	215
6	8.5	60	12.5	125

## 9. CLEANING

Ensure the lens remains clean.

Surface cleaning using a cloth.

Do not use: acetone, tar remover, trichloroethylene.

Resistant to the following products: - Hexane (EN 60669-1),

- Methylated spirit,
- Soapy water,
- Diluted ammonia
- Bleach diluted to 10%,
- Window cleaning products.

**WARNING** : Conduct preliminary tests before using any other specific cleaning products.

## 10. STANDARDS

Directive: CE

Installation standards: NFC 15-100

Product standards: IEC 60669-2-1

Environmental standards:

- European Directive 2002/96/EC:  
WEEE (Waste Electrical and Electronic Equipment).
- European Directive 2002/95/EC:  
RoHS (Restriction of Hazardous Substances).
- Decrees and/or regulations: ERP (public buildings)  
ERT (professional buildings)  
IGH (high-rise buildings)