

**SOMMAIRE**

**Page**

1. GENERAL CHARACTERISTICS .....	1
2. TECHNICAL CHARACTERISTICS .....	1
3. DIMENSIONS .....	2
4. ACCESSORIES .....	2

**1. GENERAL CHARACTERISTICS**

Compact wall-mounting cabinet ideal for small office applications or floor cabinet.

Equipments mounting vertically.

**■ 1.1 Presentation**

Ready-assembled

The main parts of the cabinet are :

- Metallic door with integrated lock
- Two 19" uprights 3U at front and 1U at rear (for PDU mounting)
- 1 brush for top cable entry
- Perforations for natural ventilation

Grounding kit included

Anthracite grey RAL 7016

**■ 1.2 Standards**

Linkeo cabinets comply with the following standards :

IEC 60529 EN 60529	(NF C 20-010) Degrees of protection provided by enclosures (IP code)
IEC 62262 EN 62262	(NF EN 50102, NF C 20-015) Degrees of protection provided by enclosures for electrical equipment against external mechanical impacts (IK code)
IEC 60950-1 EN 60950-1 C 77-210-1	Safety of information technology equipment
EIA-310-E	Cabinets, racks, panels and associated equipment (ANSI/EIA/310-E-2005)
IEC 60297-3-100 DIN 41414-7	(NF C 20-150, NF C 20-151) Dimensions of mechanical structures of the 482.6 mm series (19 in)

Linkeo cabinets can be integrated in installations complying with the following standards :

EN 50173-1	Information technology - Generic cabling systems
EN 50174-1 & 2 C 90-480-1 & 2	Information technology - Cabling installation
ISO IEC 11801	Information technology - Generic cabling for customer premises
NF C 15-100 Partie 4-41	Low voltage electrical installations - recommendations
IEC 60364-4-41	Low voltage electrical installations - Protection for safety - Protection against electric shock
UTE C90-483	Residential cabling for communication networks

**2. TECHNICAL CHARACTERISTICS**

**■ 2.1 Index of protection**

- IP20 according to IEC EN 60529  
Protected against solid objects larger than 12.5 mm in diameter
- IK08 according to IEC EN 62262  
Protected against mechanical impact with an energy of 5 joules

**■ 2.2 Mechanical performances**

- Permissible load : 3 kg/U (i.e. 12 kg for a 3 + 1U) cabinet

**■ 2.3 Design**

- Back base and side panels made of 1,2 mm thick steel + paint
- Front cover made of 1,2 mm thick steel + paint
- Door bolt made of chrome-plated metal + 2 keys
- Legrand marking by light grey sticker
- 19" uprights made of 1.5 mm thick galvanised steel
- Black plastic brush to clip
- Top cable entry : 425 X 50 (without brush)
- Side cable entry : 90 X 70 and 53 X 70 (precut)

■ 2.4 Corrosion resistance

- Corrosive environment class:  
C2 according to EN ISO 12944-2,  
3K3 according to IEC EN 60721-3-3
- Salt spray test according to ISO 9227 (NSS test) and IEC EN 60068-2-11 (Ka test) for 168 hours:  
degree of rusting Ri1 according to ISO 4628-3,  
propagation ≤ 1 mm according to ISO 4628-8
- Sulphur dioxide (SO2) test according to EN ISO 6988 for 48 hours:  
degree of rusting Ri1 according to ISO 4628-3,  
ISO 10289 annex A class 8 type image

■ 2.5 Properties of the paint coating

- Thermosetting polyester paint applied by electrostatic dusting
- Anthracite grey RAL 7016
- Textured satin appearance
- 60 to 80 µm thick
- Excellent impact and scratch resistance
- Excellent resistance to cleaning agents (excluding strong chlorinated, fluorinated and ketone solvents)  
Some products may change the appearance. It is therefore advisable to carry out a test first
- Light exposure test (xenon-arc lamp) according to ISO 4892-2 method B for 500 hours: no visible fading

■ 2.6 Electrical continuity of the conductive parts

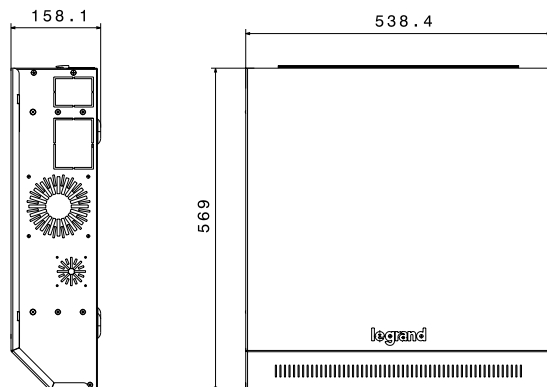
Continuity of the cabinet metal conductive parts is achieved by design. The equipotential link of the back base is created with the spiked washer supplied.

■ 2.7 Weight

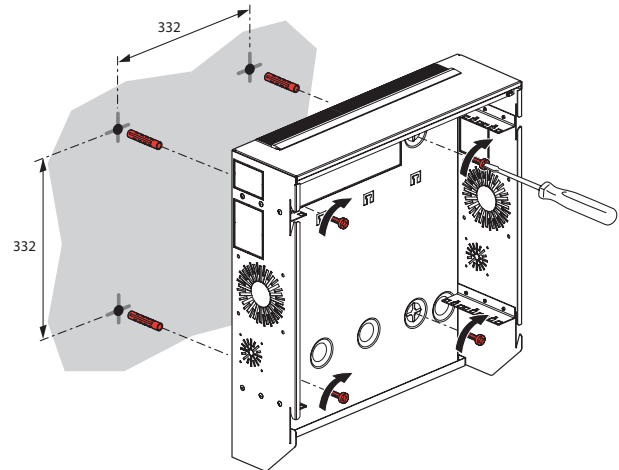
	Reference	Weight (kg)
Vertical cabinet	6 462 40	9,4

3. DIMENSIONS

■ 3.1 Overall dimensions



■ 3.2 Fixing dimensions



4. ACCESSORIES

The 19" 3U + 1U Linkeo vertical cabinet can be equipped with

- A copper patch panel
- An optical fiber patch panel
- A switch

Following accessories :

- PDU Cat No 6 468 05
- Fan kit Cat No 0 462 60
- Thermostat Cat No 0 348 48