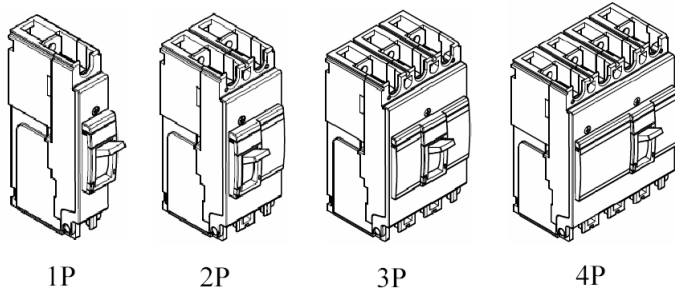


DRX 125

Circuit breaker (not adjustable)

References: 270 00/01/02/03/04/05/06/07/08/09/10/11/12/13/14/
 15/16/17/18/19/20/21/22/23/24/25/26/27/28/29/30/31/32/33/34/35/
 36/37/38/39/40/41/42/43/44/45/46/47/48/50/51/52/53/54/55/56/
 57/58/60/61/62/63/64/65/66/67/68/70/71/72/73/74/75/76/77/78/ & 272
 20/21/22/23/24/25/26/27/55/56/57/58/59/60



INDEX

PAGES

1. USE	1
2. RANGE	1
3. DIMENSIONS	1
3. DIMENSIONS (continuation)	2
4. MOUNTING	2
5. CABLING	3
6. ELECTRIC AND MECHANICAL FEATURES	3
7. NORMATIVE	4
8. ACCESSORIES	4
9. CURVES	6

1. USE

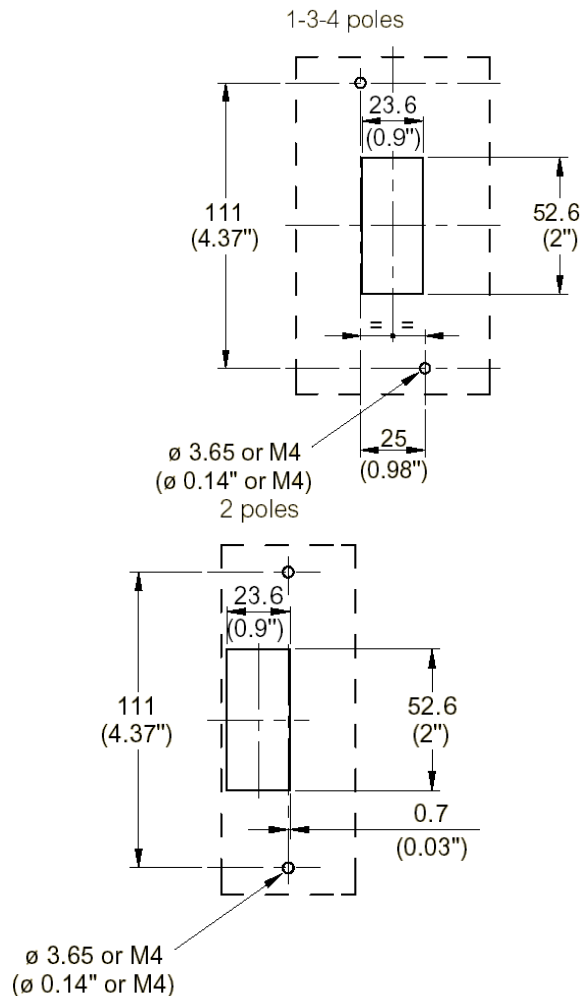
DRX is the range of not adjustable breakers for all the applications of the tertiary and industrial sector including also large assortment of accessories of easy and fast assemblage.

2. RANGE

	1P		2P		3P			4P	
In\Icu	25	36	10	20	36	10	20	36	
15	270 40	270 50	270 00	270 20	270 60	270 10	270 30	270 70	
20	270 41	270 51	270 01	270 21	270 61	270 11	270 31	270 71	
25	270 42	270 52	270 02	270 22	270 62	270 12	270 32	270 72	
30	270 43	270 53	270 03	270 23	270 63	270 13	270 33	270 73	
40	270 44	270 54	270 04	270 24	270 64	270 14	270 34	270 74	
50	270 45	270 55	270 05	270 25	270 65	270 15	270 35	270 75	
60	270 46	270 56	270 06	270 26	270 66	270 16	270 36	270 76	
63	-	-	270 39	272 20	272 24	270 29	272 22	272 26	
75	270 47	270 57	270 07	270 27	270 67	270 17	270 37	270 77	
80	-	-	272 55	272 57	272 59	272 56	272 58	272 60	
100	270 48	270 58	270 08	270 28	270 68	270 18	270 38	270 78	
125	-	-	270 09	272 21	272 25	270 19	272 23	272 27	

3. DIMENSIONS

Fixing on plate :



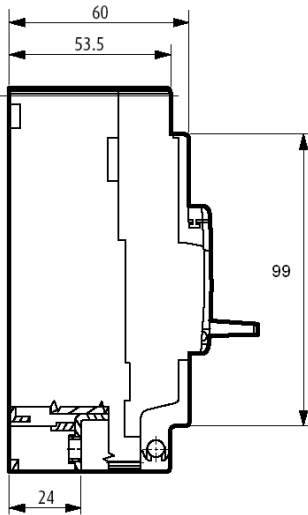
DRX 125

Circuit breaker (not adjustable)

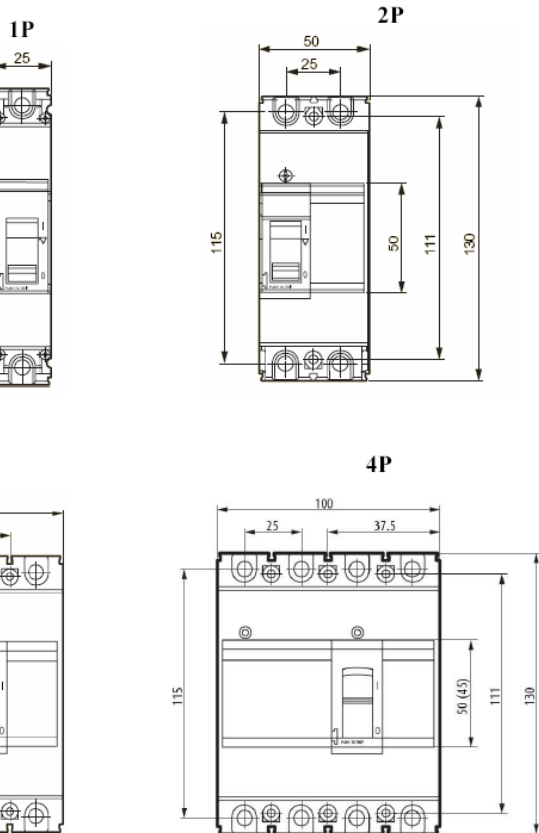
References: 270 00/01/02/03/04/05/06/07/08/09/10/11/12/13/14/
15/16/17/18/19/20/21/22/23/24/25/26/27/28/29/30/31/32/33/34/35/
36/37/38/39/40/41/42/43/44/45/46/47/48/50/51/52/53/54/55/56/
57/58/60/61/62/63/64/65/66/67/68/70/71/72/73/74/75/76/77/78/ &
272 20/21/22/23/24/25/26/27/55/56/57/58/59/60

3. DIMENSIONS (CONTINUATION)

Lateral

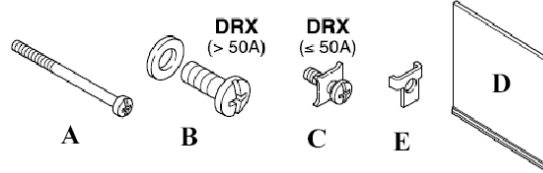
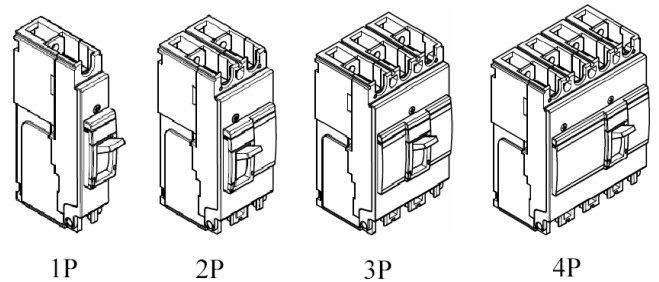
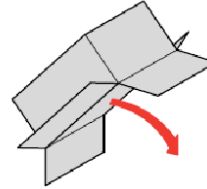


Frontal



4. MOUNTING

4.1 Delivery



Quantity of accessories for different circuit breakers (included in the package)

	1P	2P	3P	4P
A*	2	2	2	2
B*	2	4	6	8
C*	2	4	6	8
D	1	1	2	3
E	2	-	-	-

* the screws are all star configuration



Max torque for screw:

B 5,5 Nm / 49 lb-in
C 2,0 Nm / 18 lb-in

4.2 Possible way to mount

On plate :

- Vertical
- Horizontal

DRX 125

Circuit breaker (not adjustable)

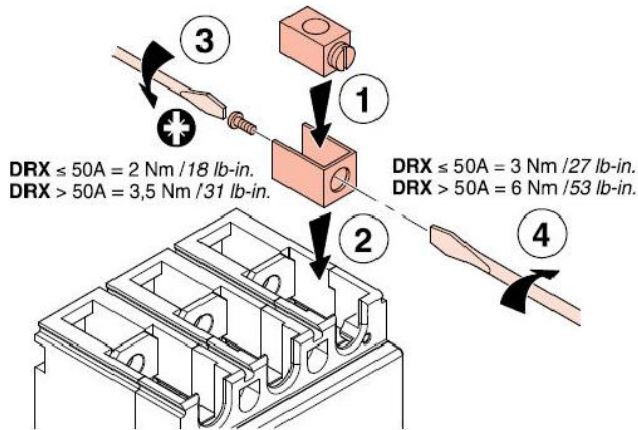
References: 270 00/01/02/03/04/05/06/07/08/09/10/11/12/13/14/
15/16/17/18/19/20/21/22/23/24/25/26/27/28/29/30/31/32/33/34/35/
36/37/38/39/40/41/42/43/44/45/46/47/48/50/51/52/53/54/55/56/
57/58/60/61/62/63/64/65/66/67/68/70/71/72/73/74/75/76/77/78/ &
272 20/21/22/23/24/25/26/27/55/56/57/58/59/60

5. CABLING

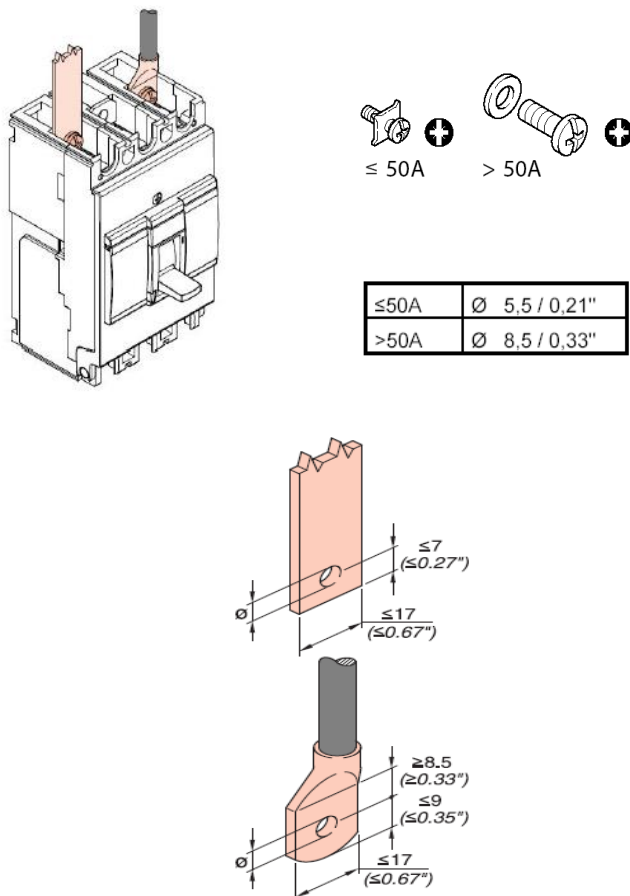
Cables :

Mounting: Device adapt for born cage for Cu/Al cables

Head of screw: 6mm x 6mm ≤ 50A ; 10mm x 6mm > 50A

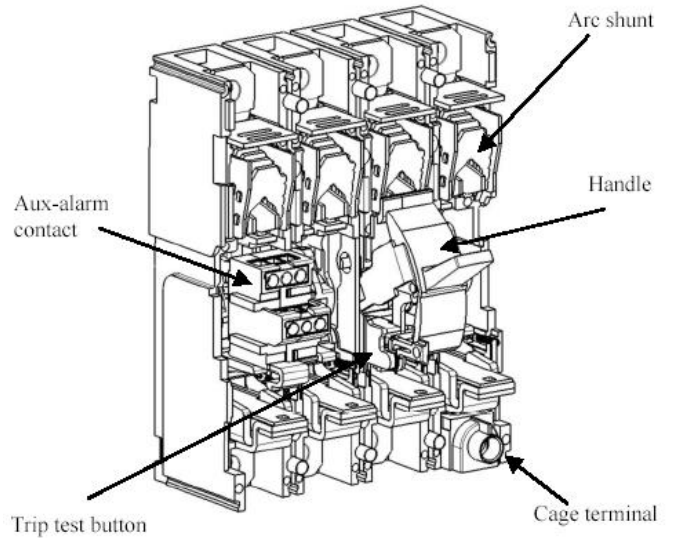


Bars :



6. ELECTRIC AND MECHANICAL FEATURES

6.1 Main pieces constituting the breaker



6.2 Breaking capacity (kA)

	Breaking capacity (Icu) ad Ics					
		1P	2P	3P & 4P		
	Ue/Icu	A	F	A	G	F
IEC	110/130V ac	50	75	35	60	85
	220/240V ac	25	60	35	60	85
	277V ac	15	50	-	-	-
	380/415V ac	10	36	10	20	36
	440/460V ac	-	30	10	15	30
	480/550V ac	-	20	7,5	10	20
	125V dc *	10	20	10	10	20
250V dc *	5	10	5	5	10	
NEMA	220/240V ac	25	60	35	60	85
	480/550V ac	-	20	7,5	10	20
	Ics (%Icu)	50	50	100	75	50

*2 poles in series

DRX 125

Circuit breaker (not adjustable)

References: 270 00/01/02/03/04/05/06/07/08/09/10/11/12/13/14/
15/16/17/18/19/20/21/22/23/24/25/26/27/28/29/30/31/32/33/34/35/
36/37/38/39/40/41/42/43/44/45/46/47/48/50/51/52/53/54/55/56/
57/58/60/61/62/63/64/65/66/67/68/70/71/72/73/74/75/76/77/78/ &
272 20/21/22/23/24/25/26/27/55/56/57/58/59/60

6.3 Technical features

Breaker	DRX 125 (10-20-36kA)
Nominal current	15 - 125
Poles	1-2-3-4
Rated insulation voltage Ui	690
Rated operating voltage (50/60Hz) Ue (V)	550
Rated impulse withstand current Uimp (kV)	6
Nominal frequency (Hz)	50-60
Temperature of functioning (°C)	-25 ÷ 70
Endurance (cycles) mechanical	25000
Endurance (cycles) electrical at In	8000
Endurance (cycles) electrical at 0,5 In	10000
Utilization category	A
Suitable for isolation	Yes
Type of protection	Thermal-magnetic
Magnetic adjustable	No
Thermic adjustable	No
Dimensions (wxhxd) (mm)	25(xP) x 115 x 60
Neutral protection for 4P version (%Ith)	100

Magnetic limit Isd (A)

In (A)	15	20	25	30	40	50	63	75	80	100	125
Isd(1xIn)	10	10	10	10	10	10	10	10	10	10	10
Isd (A)	150	200	250	300	400	500	630	750	800	150	200

6.4 Power dissipated by pole under In

In(A)	15	20	25	30	40	50	60	63	75	80	100	125
En(W)	1,6	2,1	2,5	3,2	3,5	3	4	4,4	4,9	5	7,4	9,9

6.5 Functioning in particular condition

6.5.1 Temperature

Ambient temperature													
°C	-25	-20	-10	-5	0	10	20	30	40	50	60	70	
In (A)	15	20	19	19	18	18	17	17	16	15	15	14	12
16	21	20	20	19	19	18	18	17	16	16	15	13	
20	27	26	25	25	24	23	22	21	20	20	18	16	
25	34	32	31	31	30	29	28	27	25	25	23	21	
30	40	38	38	37	36	35	34	32	30	30	28	25	
32	42	40	39	38	37	37	36	34	32	32	29	26	
40	54	51	50	49	48	46	45	43	40	40	37	33	
50	67	64	63	62	60	58	56	54	50	50	46	41	
60	80	77	75	74	72	69	67	64	60	60	55	49	
63	82	80	78	76	74	72	71	67	63	63	58	52	
75	101	96	94	92	91	86	84	80	75	75	69	62	
80	102	100	98	96	94	92	90	86	80	80	74	66	
100	134	128	126	123	121	115	112	107	100	100	92	82	
125	148	143	140	138	135	133	130	128	125	125	113	100	

6.5.2 Altitude

DRX	Altitude (m)			
	2000	3000	4000	5000
Rated current (A)	1 x In	0,98 x In	0,93 x In	0,9 x In
Rated voltage (V)	690	590	520	460

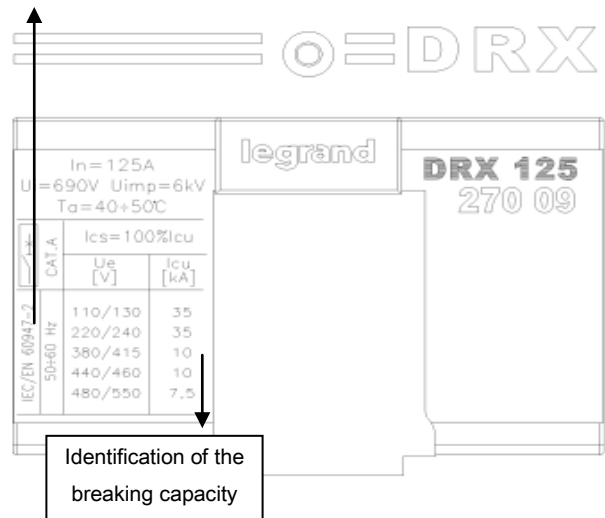
7. NORMATIVE

IEC 60947-2 → LOVAG Certification → CB Scheme Certification

In compliance with NEMA standards

7.1 Marking

Références normatives



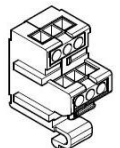
"Tropicalisation" :

- exécution II (tous climats) selon guide UTE C63100

8. ACCESSORIES

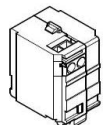
8.1 Auxiliary and Alarm Contacts :

Auxiliary Contact	ref. 271 40
Alarm Contact	ref. 271 41
Auxiliary + Alarm Contact	ref. 271 42



8.2 Shunt Trips:

12 V = and ~	ref. 271 50
24 V = and ~	ref. 271 51
48 V = and ~	ref. 271 52
110/130 V ~	ref. 271 53
200/277 V ~	ref. 271 54
380/480 V ~	ref. 271 55



DRX 125

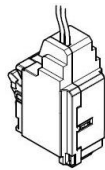
Circuit breaker (not adjustable)

References: 270 00/01/02/03/04/05/06/07/08/09/10/11/12/13/14/
15/16/17/18/19/20/21/22/23/24/25/26/27/28/29/30/31/32/33/34/35/
36/37/38/39/40/41/42/43/44/45/46/47/48/50/51/52/53/54/55/56/
57/58/60/61/62/63/64/65/66/67/68/70/71/72/73/74/75/76/77/78/ &
272 20/21/22/23/24/25/26/27/55/56/57/58/59/60

Shunt trip -ST-	
circuit breaker's opening time	≤ 3ms
maximum peak current $V_{r1}=12Vac$	15 A
maximum peak current $V_{r1}=24Vac$	7,5 A
maximum peak current $V_{r1}=48Vac$	5,5 A
maximum peak current $V_{r1}=60Vac$	4,5 A
maximum peak current $V_{r1}=110Vac$	2,5 A
maximum peak current $V_{r1}=230Vac$	1,5 A
maximum peak current $V_{r1}=415Vac$	0,9 A
maximum power	400VA - 400W

8.3 Undervoltage Releases:

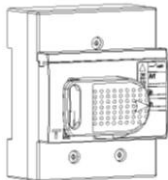
12 V = and ~	ref. 271 60
24 V = and ~	ref. 271 61
48 V = and ~	ref. 271 62
110/130 V ~	ref. 271 63
200/240 V ~	ref. 271 64
277 V ~	ref. 271 67
380/415 V ~	ref. 271 65
440/480 V ~	ref. 271 66



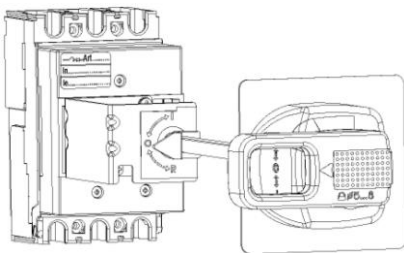
Under Voltage Release -UVR-	
circuit breaker's opening time	≤ 3ms
maximum power 277-380-440-480V	≤ 4VA

8.4 Rotary handle :

Direct ref. 271 76



Vary-depth ref. 271 77



8.5 Cage Terminals :

Capacity:

≤ 50A

- Flexible cable → from 2,5mm² to 16mm² (# 14 to # 6 AWG)

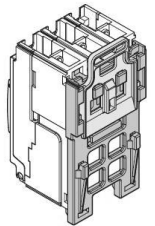
- Solid cable → from 2,5mm² to 25mm² (# 14 to # 4 AWG)
- > 50A
- Flexible cable → from 10mm² to 35mm² (# 8 to # 2 AWG)
 - Solid cable → from 10mm² to 50mm² (# 8 to # 1/0 AWG)

Max Couple of Torque: 6 Nm

Set : 3 Cage terminals for DRX125 ≤50A	ref. 271 70
3 Cage terminals for DRX125 from 60A up to 100A	ref. 271 71
3 Cage terminals for DRX125 for 125A	ref. 272 52
4 Cage terminals for DRX125 ≤50A	ref. 271 72
4 Cage terminals for DRX125 from 60A up to 100A	ref. 271 73
4 Cage terminals for DRX125 for 125A	ref. 272 53
60 Cage terminals for DRX125 ≤50A	ref. 271 92
60 Cage terminals for DRX125 from 60A up to 100A	ref. 271 93
60 Cage terminals for DRX125 for 125A	ref. 272 54

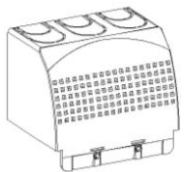
8.6 Montage sur rail DIN

Adaptateur	1P	ref. 271 89
	2P	ref. 271 90
	3P/4P	ref. 271 87



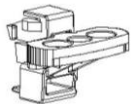
8.7 Insulating Shield

Set of 2 insulating shield for 2poles	ref. 271 91
Set of 2 insulating shield for 3poles	ref. 271 83
Set of 2 insulating shield for 4poles	ref. 271 84



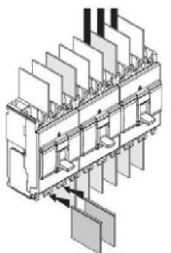
8.8 Padlock device

Plastic padlock device	ref. 271 80
------------------------	-------------



8.9 Insulating Shield

Shield for 3P	ref. 271 81
Shield for 4P	ref. 271 82



DRX 125

Circuit breaker (not adjustable)

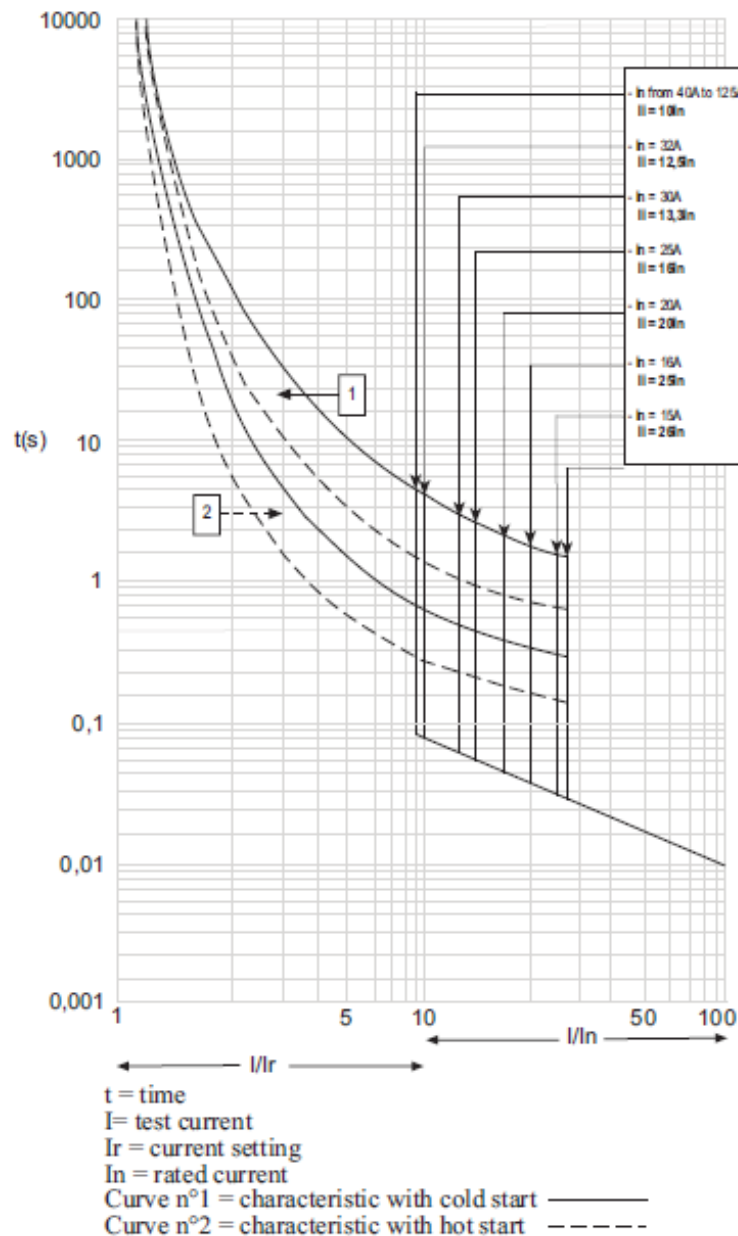
References: 270 00/01/02/03/04/05/06/07/08/09/10/11/12/13/14/
15/16/17/18/19/20/21/22/23/24/25/26/27/28/29/30/31/32/33/34/35/
36/37/38/39/40/41/42/43/44/45/46/47/48/50/51/52/53/54/55/56/
57/58/60/61/62/63/64/65/66/67/68/70/71/72/73/74/75/76/77/78/ &
272 20/21/22/23/24/25/26/27/55/56/57/58/59/60

9. CURVES

9.1 Thermal magnetic characteristic curve

Rated operating voltage Ue (50/60 Hz)	550 Vac	Nominal Current In	15 – 125 A
Rated insulation voltage Ui	690 Vac	Category of employment:	A
Rated impulse withstand current Uimp	6 kV	Compliant to the norm:	IEC 60947-2

DRX 125 $I_{max} = 125A$ from 10kA up to 36kA 3P-4P 415Vac
Easytiker 125

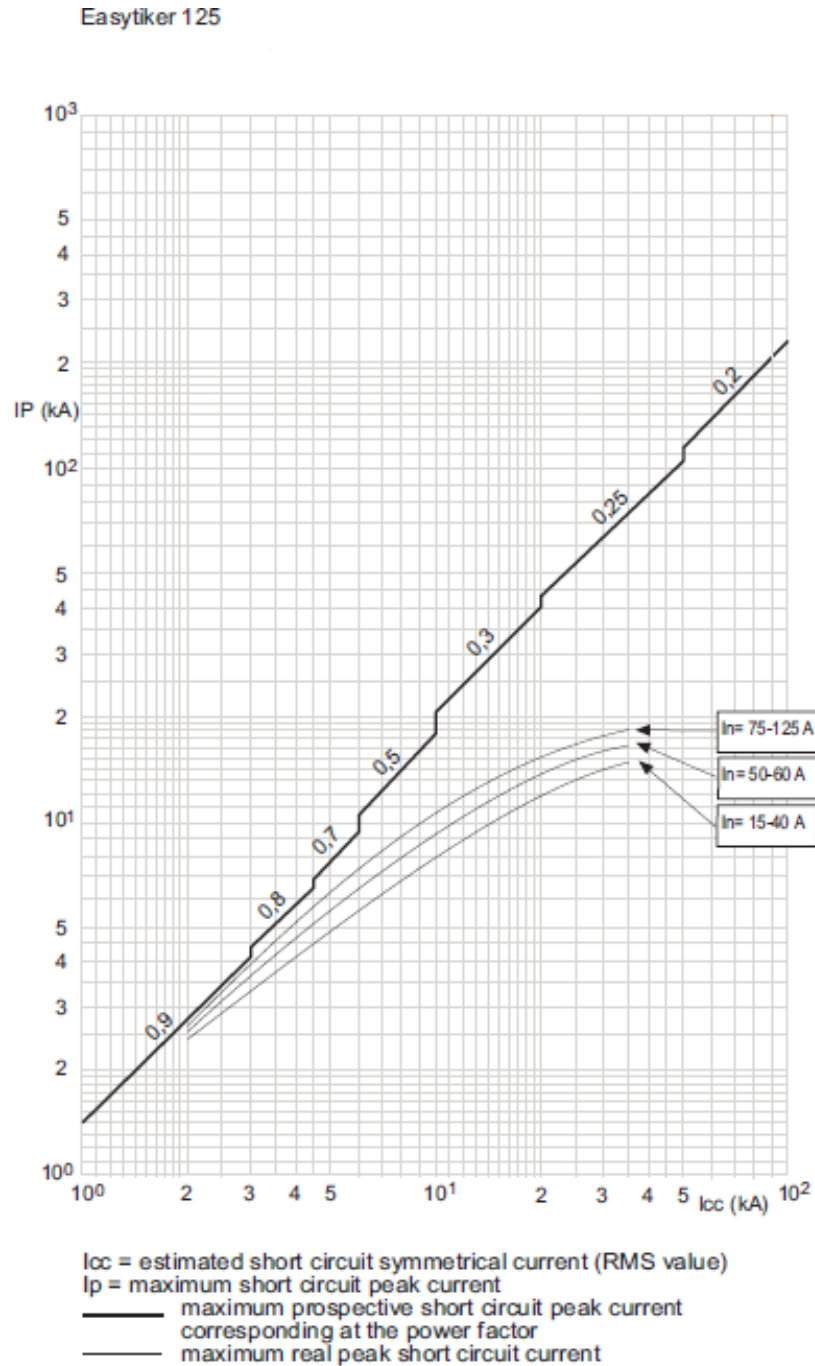


DRX 125

Circuit breaker (not adjustable)

References: 270 00/01/02/03/04/05/06/07/08/09/10/11/12/13/14/
15/16/17/18/19/20/21/22/23/24/25/26/27/28/29/30/31/32/33/34/35/
36/37/38/39/40/41/42/43/44/45/46/47/48/50/51/52/53/54/55/56/
57/58/60/61/62/63/64/65/66/67/68/70/71/72/73/74/75/76/77/78/ &
272 20/21/22/23/24/25/26/27/55/56/57/58/59/60

9.2 Cut-off peak current characteristic



DRX 125

Circuit breaker (not adjustable)

References: 270 00/01/02/03/04/05/06/07/08/09/10/11/12/13/14/
15/16/17/18/19/20/21/22/23/24/25/26/27/28/29/30/31/32/33/34/35/
36/37/38/39/40/41/42/43/44/45/46/47/48/50/51/52/53/54/55/56/
57/58/60/61/62/63/64/65/66/67/68/70/71/72/73/74/75/76/77/78/ &
272 20/21/22/23/24/25/26/27/55/56/57/58/59/60

9.3 Pass-through specific energy characteristic curve

