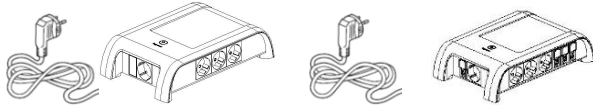


## Multi-outlet extensions for meeting rooms with central table

Number(s) : 6 535 74/75/77

CONTENTS	PAGES
1 .Range	1 to 2
2 .Technical characteristics	2
3 .Material characteristics	2



Ref 6 535 74

Ref 6 535 75



Réf. 6 535 77

Meeting room multi-outlet extensions equipped with cord.

### For meeting room with central table :

- equipped with 8 2P+E sockets with 45° sloping screw recesses for easy insertion of angled plug on/off switch with light indicator.

Power : 16A 3680W in 230V (AC)

- equipped with 5m cord (HO5VVF 3 G1.5mm<sup>2</sup>) with 2P+E plug

Supplied with carrying case

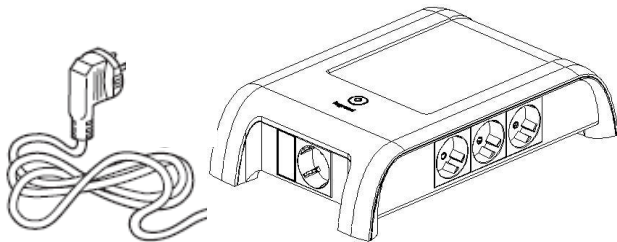
The meeting room multi-outlet extensions offers:

- a range perfectly adapted to the needs for the meeting rooms with central table.
- product design, aesthetic and ergonomic.
- a connection of the users by WI-Fi or RJ 45
- a reliability and an optimal safety (conform to the standard NFC 61-314)

### 1. Range of meeting room multi-outlet extensions equipped with cord

#### 1.1 High current

for meeting rooms with central table ref 6 535 74



For connecting up to 8 devices

Composition :

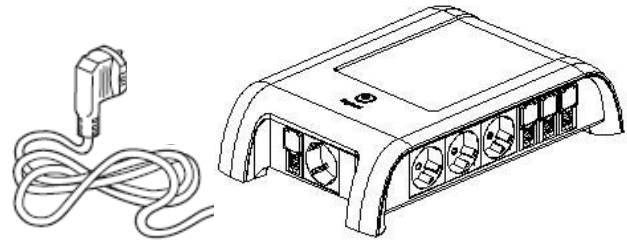
- 8 x 2 P+E with 45° sloping screw recesses

Supplied with carrying case

Pack by 1

#### 1.2 With non manageable switch

for meeting rooms with centrale table ref 6 535 75  
(continued)



For connecting up to 8 devices and networking up to 6 peripherals (computers,...)

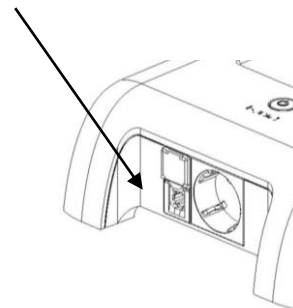
Composition :

- 8 x 2 P+E sockets

- 1 - 10/100 base T non manageable switch 6 ports

Require the use of Ethernet 10/100 base T network cards on the peripherals for 10/100 Mbps data exchanges.

The switch data entry is located on this side on a RJ designated with "data entry"



Network cable not supplied

Supplied with carrying case

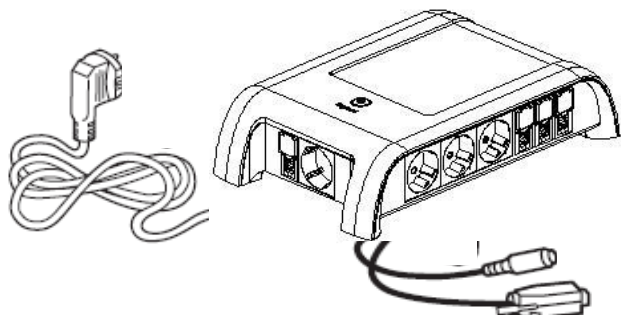
Pack by 1

# Multi-outlet extensions for meeting rooms with central table

Number(s) : 6 535 74/75/77

## 1. Range of meeting room multi-outlet extensions equipped with cord (continued)

### 1.3 With non manageable switch and HD15 + jack socket for meeting rooms with centrale table ref 6 535 77



With Wi-Fi access point and socket HD 15 + Jack 3.5mm

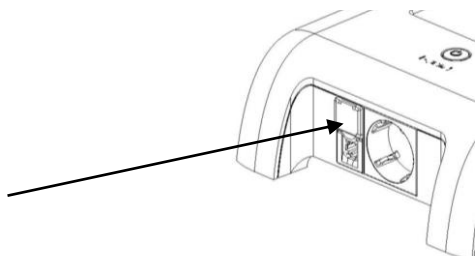
For connecting up to 7 devices and networking up to 6 peripherals (computers,...) with 1 access point HD 15 and Jack 3.5mm

Require the use of Ethernet 10/100 base T network cards on the peripherals for 10/100 Mbps data exchanges.

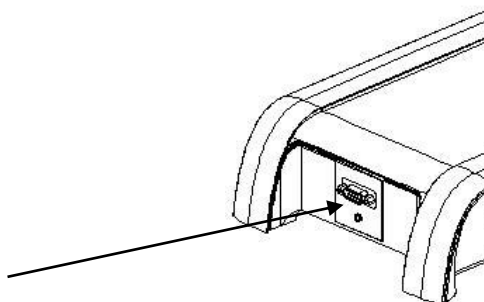
Composition :

- 7 x 2 P+E sockets
- 1 non manageable 10/100 base T switch 6 ports
- 1 socket HD 15 + Jack 3.5mm
- cable VGA 1m female (complete with extension VGA)
- cable Jack 3.5mm female 1m.

The data in is located on this side on a RJ designated with "data entry"



The socket HD 15 + Jack 3.5mm entry is located on the other side.



Network cable not supplied  
Supplied with carrying case  
Pack by 1

## 2. Technical characteristics

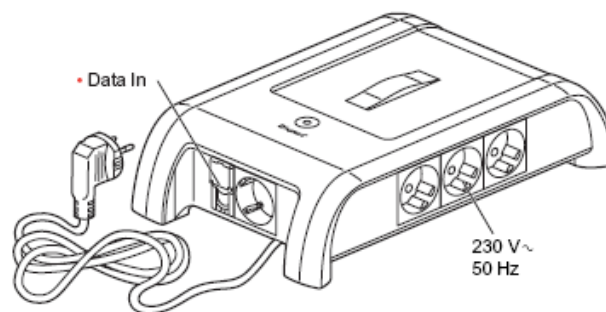
Power : 16A 3680W in 230V (AC)

Delivered with extension cable :

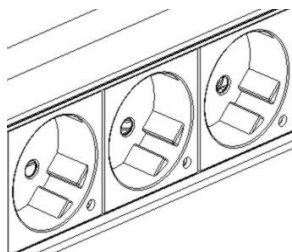
Cable type : 5m cord (HO5VVVF 3 G1.5mm<sup>2</sup>) with 2P+E plug  
Plug type :

Electrical protection :

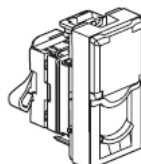
Equipped with Mosaic sockets with 45° sloping screw recesses for easy insertion of angled plugs.



Mosaic sockets with grey cover plates for standard circuits.



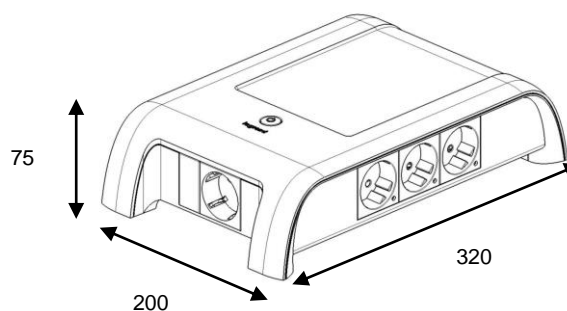
RJ 45 sockets in 1 module



## Technical characteristics

Dimension in mm of the meeting room multi-outlet :

For all réf 6 535 74/75/76/77



## 3. Material characteristics:

Meeting room multi-outlets are in plastic white colour to be equipped with Mosaic or RJ45 sockets in plastic grey colour