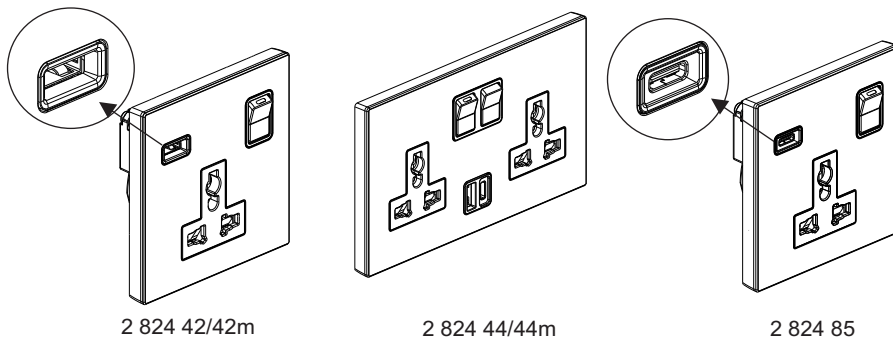


Galion™ Multistd switched socket with USB

Cat. No(s): 2 824 42/42m/44/44m/85



CONTENTS

1. Use.....	1
2. Range.....	1
3. Preparation.....	1
4. Overall dimensions.....	1
5. Connection.....	2
6. Operation.....	2
7. Technical characteristics.....	2
8. Cleaning.....	2
9. Conformity - Approvals.....	2

1. USE

Multistandard switched sockets with USB for recharging portable devices such as phones, smartphones, tablets, Mp3 or MP4 players, loudspeakers, watches, game consoles, powerbanks.

2. RANGE

	Designation	Cat. No.	Weight(g)
	1G Multistandard Switched Socket with USB TypeA	2 824 42 2 824 42m	110
	2G Multistandard Switched Socket with two USB TypeA+TypeC	2 824 44 2 824 44m	289
	1G Multistandard Switched Socket with two USB TypeC	2 824 85	110

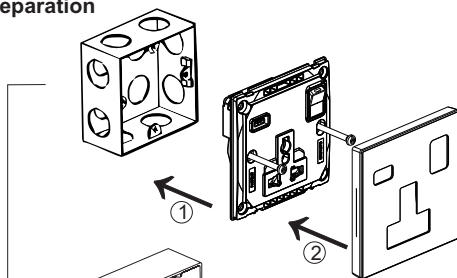
Colours

- front: white/rose golden/champagne/dark silver
- rear: white/rose golden/champagne/dark silver
- X XXX XX white
- X XXX XX-C matt black
- X XXX XX-C1 rose golden
- X XXX XX-C2 champagne
- X XXX XX-C3 dark silver

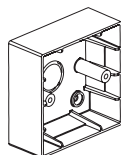
3. PREPARATION

3.1 General preparation

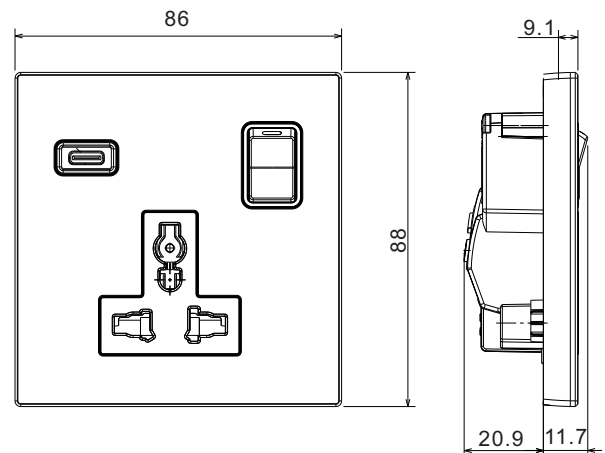
- flushing mounting box:



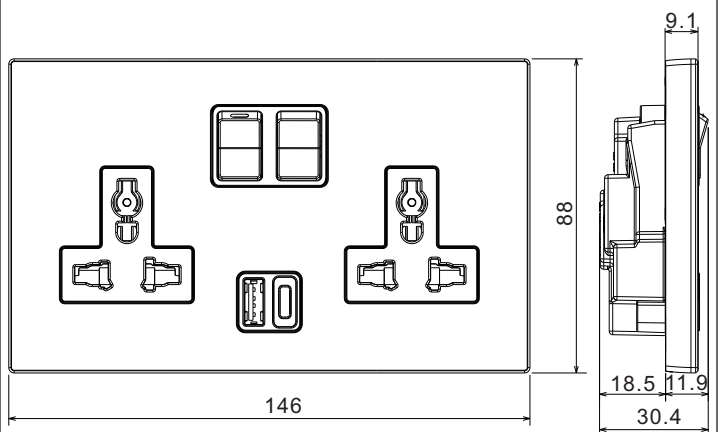
- surface mounting box:



4. OVERALL DIMENSIONS



Profile Size: 86×88 mm
Distance of installation hole: 60.3 mm
Minimum depth of the box>25 mm



Profile Size: 146×88 mm
Distance of installation hole: 120.6 mm
Minimum depth of the box>25 mm

Galion™ Multistd switched socket with USB

Cat. No(s): 2 824 42/42m/44/44m/85

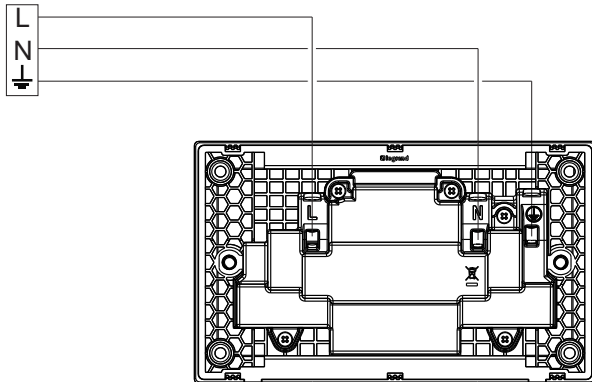
5. CONNECTION

5.1 Terminals

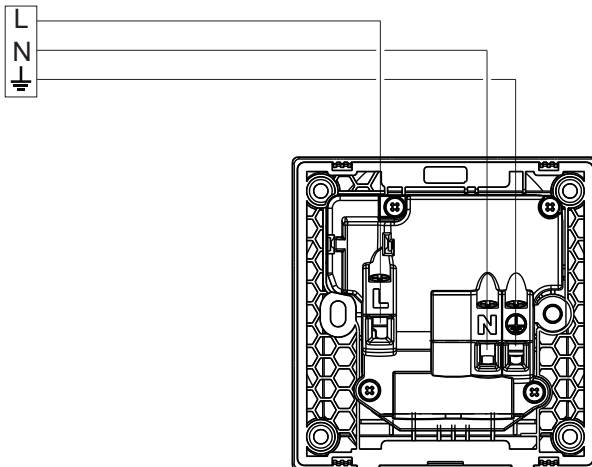
Terminal capacity: 3 × 2.5 mm²
2 × 4 mm²
1 × 6 mm²

Recommended screwdriver size: 4 mm flat blade
Recommended stripping length: 12 mm
Recommended terminal tightening torque: 0.5Nm

5.2 Circuit diagrams



2 824 44/44m



2 824 42/42m/85

6. OPERATION

Standard operation by insertion or withdrawal of plug to normalized

7. TECHNICAL CHARACTERISTICS

7.1 Material characteristics

Rocker: Polycarbonate
Frame: Polycarbonate
Base: Polyamide
Self-extinguishing:
+ 850° C / 30 s for insulating parts holding live parts in place
+ 650° C / 30 s for other parts made of insulating materials

7.2 Electrical characteristics

Multistandard Socket:

Voltage: 127V~ Current: 15A
Voltage: 250V~ Current: 2.5/5/6/10/13/16A
Frequency: 50/60Hz

USB Chargers:

All values listed below are measured at an ambient temperature of + 25° and after 15 minutes of operation.

Type	1 USB (Type A)	1 USB (Type C)	2 USB (Type A+C)
Nominal input voltage	220-240V~	100-240V~	220-240V~
Nominal input frequency	50-60 Hz		
Power consumption	12 W	15 W	15 W
Maximum input current	300 mA	500 mA	300 mA
Maximum power consumption in standby	0.075 W		
Power average efficiency	79.94%	81.39%	81.39%
Nominal output voltage	5V---		
Maximum output current	2.4 A	3.0 A	3.0 A*

No-load consumption and average energy efficiency: Level VI**

Protection class	II - Low voltage
------------------	------------------

* Note : shared on A and C output

** Note : European Regulation No. 278/2009 of 6 April 2009, Directive 2005/32/EC on eco-design requirements for AC/DC power supplies.

Note : To optimize the charging time of your device, ensure to turn it off during the charging phase.

7.3 Climatic characteristics

Storage temperatures: -10°C to +70°C
Operating temperatures: -5°C to +50°C

7.4 Mechanical characteristics

Impact test: IK04
Protection against liquids: IP20

8. CLEANING

Surface cleaning with a soft, slightly damp cloth.
Do not use: acetone, tar remover, trichloroethylene

9. CONFORMITY - APPROVALS

USB chargers conform to IEC62368-1