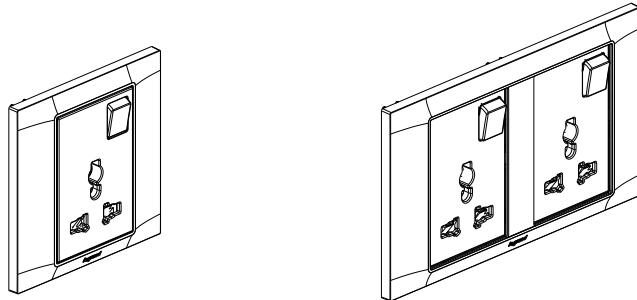


Belanko™ S 15A MLSTD Socket

Cat. No(s): 6 17X 67/69



6 17X 67

6 17X 69

CONTENTS

1. Use.....	1
2. Range.....	1
3. Preparation.....	1
4. Overall dimensions.....	1
5. Connection.....	2
6. Technical characteristics.....	2
7. Cleaning.....	2
8. Conformity - Approvals.....	2

1. USE

Multistandard switched sockets.
(Supplied with M3.5 screws for BS boxes. Flush mounting or surface mounting.)

2. RANGE

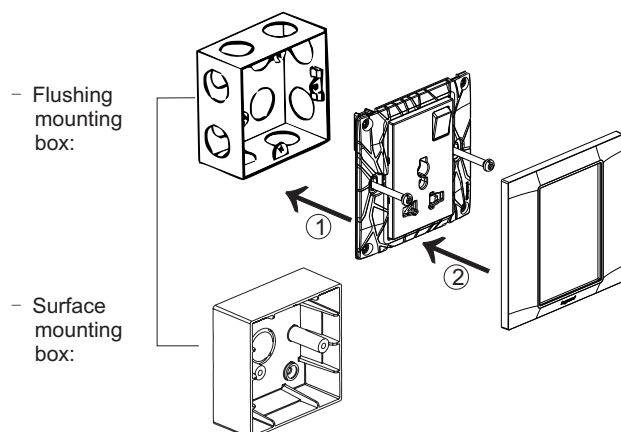
	Designation	Cat. No.	Weight(g)
	1G MLSTD SWITCHED Socket	6 17X 67	90.3
	2X1G SWTCD SKT MSTD	6 17X 69	168.7

Colours

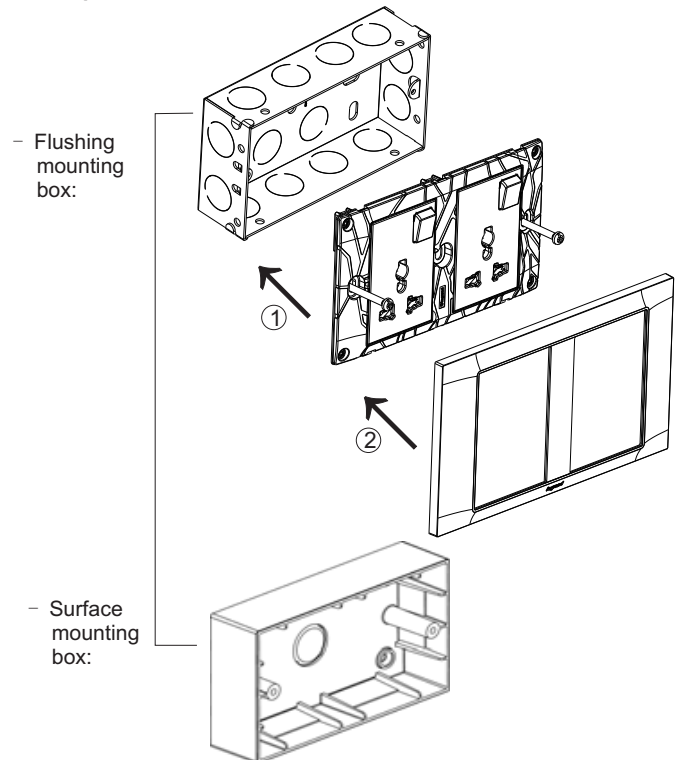
-Front: white/anthracite/ivory
-Rear: grey
6 17X XX White
6 177 XX Anthracite
6 178 XX Ivory

3. PREPARATION

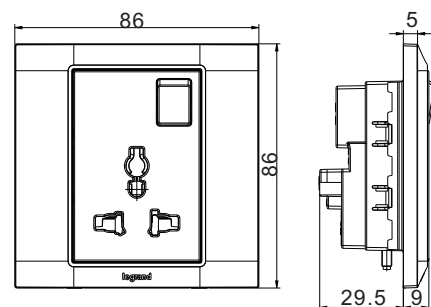
3.1 Preparation for 1G socket



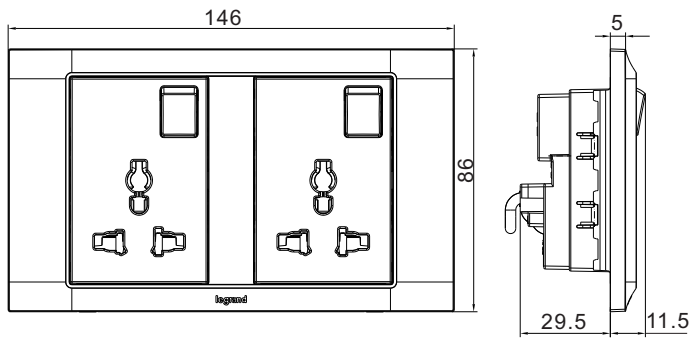
3.2 Preparation for 2G sockets



4. OVERALL DIMENSIONS



Profile Size: 86 × 86mm
Distance of installation hole: 60.3 mm
Minimum depth of the box > 35 mm



Profile Size: 146 × 86 mm
Distance of installation hole: 120.6 mm
Minimum depth of the box > 35 mm

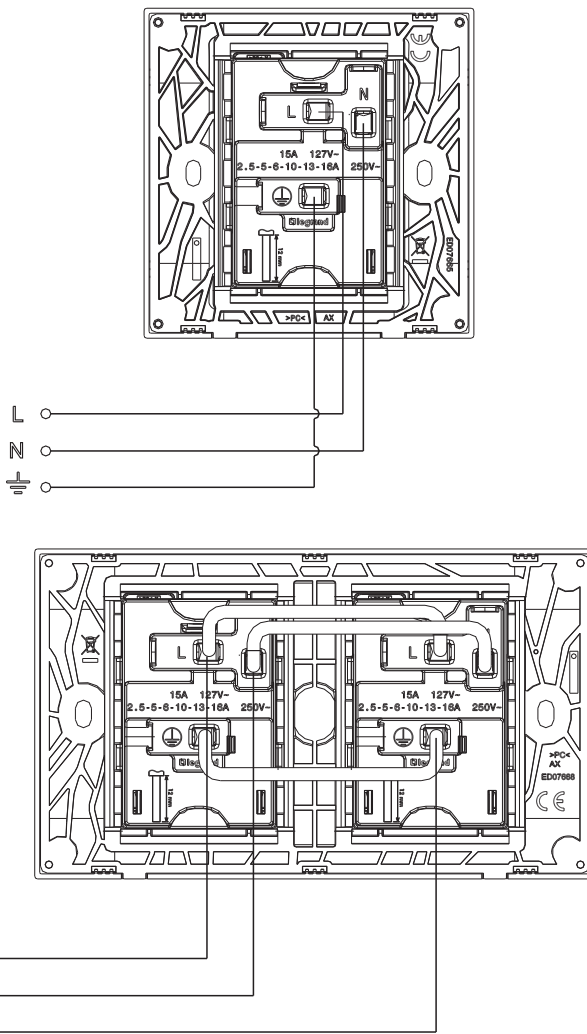
5. CONNECTION

5.1 Terminals

Terminal capacity: 3 × 2.5 mm²
3 × 4 mm²
2 × 6 mm²

Recommended screwdriver size: < 4 mm flat blade
Recommended stripping length: 12 mm
Recommended terminal tightening torque: 0.5 Nm

5.2 Circuit diagrams



6. TECHNICAL CHARACTERISTICS

6.1 Material characteristics

Rocker: Polycarbonate
Frame: Polycarbonate
Base: PC
Self-extinguishing:
+ 850° C / 30 s for insulating parts holding live parts in place
+ 650° C / 30 s for other parts made of insulating materials

6.2 Electrical characteristics

Switched socket:
Voltage: 127V~ Current: 15A
Multistandard socket:
Voltage: 250V~ Current: 2.5/5/6/10/13/16A

6.3 Climatic characteristics

Storage temperatures: -10°C to +70°C
Operating temperatures: -5°C to +50°C

6.4 Mechanical characteristics

Impact test: IK04
Protection against solids & liquids: IP20

7. CLEANING

Surface cleaning with a soft, slightly damp cloth.
Do not use: acetone, tar remover, trichloroethylene

8. CONFORMITY - APPROVALS

Compliant with installation and manufacturing standards.
Refer to e catalogue.