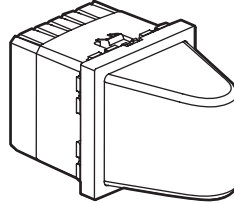


# Arteor™ Overdoor light unit

Cat. No(s): 5 722 23 - 5 724 53



5 722 23 - 5 724 53

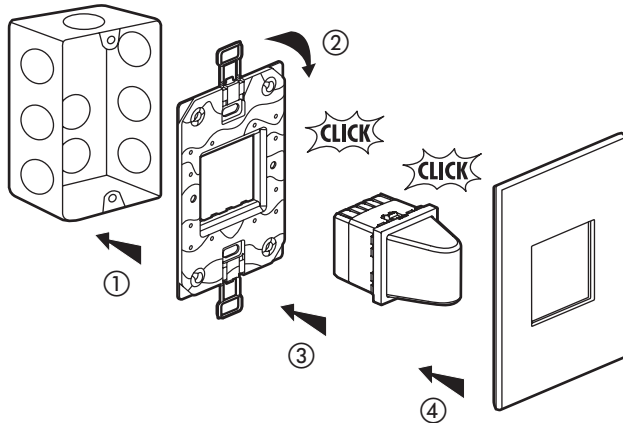
### 1. USE

Bulkhead lights with LED lighting using different colours.

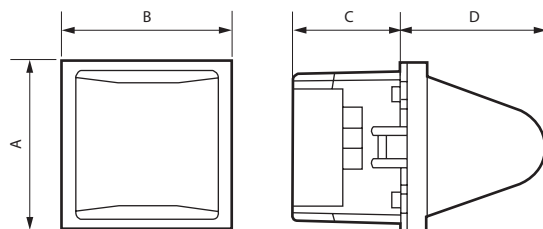
### 2. RANGE

Cat. No.		Description
5 722 23		Overdoor light unit with white LED With clips - 2 modules
5 724 53		Overdoor light unit with red LED With clips - 2 modules

### 3. PREPARATION



### 4. OVERALL DIMENSIONS

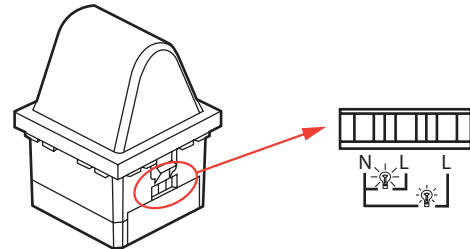


### 4. OVERALL DIMENSIONS (continued)

A	B	C	D
45	45	32.7	43.7

### 5. CONNECTION

Connection method: with screws  
 Terminal capacity: 2.5 mm<sup>2</sup> or 2 x 1.5 mm<sup>2</sup>  
 Stripping length: 8 mm  
 Type of screwdriver: flat-blade screwdriver 3.5 mm





### 6. TECHNICAL CHARACTERISTICS

- **6.1 Protection index**  
 Impact tests: IK 04  
 Protection against solid / bodies liquids: IP 41
- **6.2 Material characteristics**  
 Base: Polycarbonate  
 Cover plate: ABS (RAL 9003)  
 Diffuser: Polycarbonate
- **6.3 Electrical characteristics**  
 Self-extinguishing: 650°C / 30 s  
 Voltage: 230 VAC  
 Frequency: 50/60 Hz

Power	1 W	0.2 W
-------	-----	-------

## 6. TECHNICAL CHARACTERISTICS *(continued)*

### ■ 6.4 Lighting levels

		
5 722 23	450	100
5 724 53	45	10

Brightness levels in candela per m<sup>2</sup>

### ■ 6.5 Climatic characteristics

Storage temperature: - 10°C to + 70°C

Operating temperature: - 5°C to + 50°C

## 7. CLEANING

Surface cleaning with a cloth.

Do not use: acetone, tar remover, trichloroethylene.

### ■ 7.1 Resistance to cleaning agents

Resistance to the following agents: Hexane (EN 60669-1), Methylated spirits, Soapy water, Diluted ammonia, Diluted pure bleach 10%, Glass cleaning substance, Pre-impregnated wipes.

### ■ 7.2 Resistance to hospital-type cleaning agents

Resistance to the following agents: Anios, Surfanios, Bactilisyne, Diluted hydrogen peroxide (35%).

**Caution:** A preliminary test should be carried out if other specific cleaning products are to be used.