

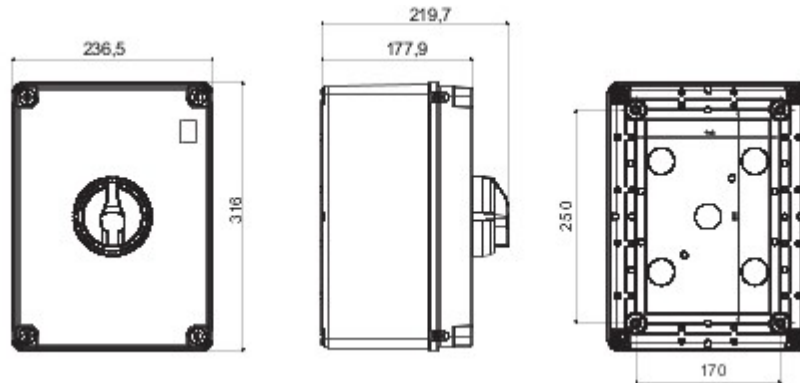


70 RT HP is a new range of 16A to 160A switch disconnecters in isolating material and metal, supplied in a box. Available in control and emergency versions, the range is completed by board versions for front-panel or DIN rail assembly, in 16 to 63A options, all of which can be equipped with auxiliary contacts. These devices have been designed to deliver the ultimate in reliability, functionality and performance. They offer a technologically advanced solution that simplifies installation, reduces wiring times and ensures maximum safety and robustness, even in the most demanding conditions, thanks to the use of high-performance materials.

Versiune	Doză	Material	Clasă
Tip	Pentru urgență	Curent nominal (A)	160
Înterupător	Rotary izolator	Clasă de protecție IP	IP66/IP67/IP69
Cod IK	IK08	Temperatură ambiantă	-25 +60 °C
Lid screws (no. and type)	4 insulation	Blocabil	YES (max. 3 locks in OFF)
Complet cu	Max. 1 auxiliary contact	Current in AC22 (415V)	160
Current in AC23 (415V)	125	Secțiune cabluri	Max 70 mm ²
Dim. exterioare LxHxP (mm)	236,5x316x178	Electrocod	1742



DIMENSIONAL



TECHNICAL SYMBOLOGY

IP **IK**

IP66/IP67/IP69

IK08

STANDARDS/APPROVALS

