

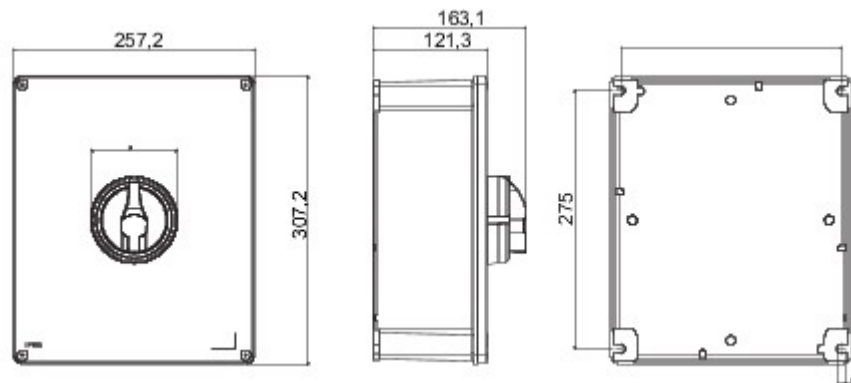


70 RT HP is a new range of 16A to 160A switch disconnectors in isolating material and metal, supplied in a box. Available in control and emergency versions, the range is completed by board versions for front-panel or DIN rail assembly, in 16 to 63A options, all of which can be equipped with auxiliary contacts. These devices have been designed to deliver the ultimate in reliability, functionality and performance. They offer a technologically advanced solution that simplifies installation, reduces wiring times and ensures maximum safety and robustness, even in the most demanding conditions, thanks to the use of high-performance materials.

Versiune	Doză	Material	Metal
Tip	Comanda	Curent nominal (A)	160
Înterupător	Rotary izolator	Clasă de protecție IP	IP66
Cod IK	IK10 (IK08 knob)	Temperatură ambiantă	-25 +60 °C
Lid screws (no. and type)	4 metal screws	Blocabil	YES (max. 3 locks in ON and OFF)
Complet cu	Max. 4 auxiliary contacts	Curent in AC22 (415V)	160
Current in AC23 (415V)	125	Secțiune cabluri	Max 70 mm <sup>2</sup>
Dim. exterioare LxHxP (mm)	257x307x121	Electrocod	1742



### DIMENSIONAL



### TECHNICAL SYMBOLOGY

**IP**

IP66

**IK**

IK10 (IK08 knob)

### STANDARDS/APPROVALS

