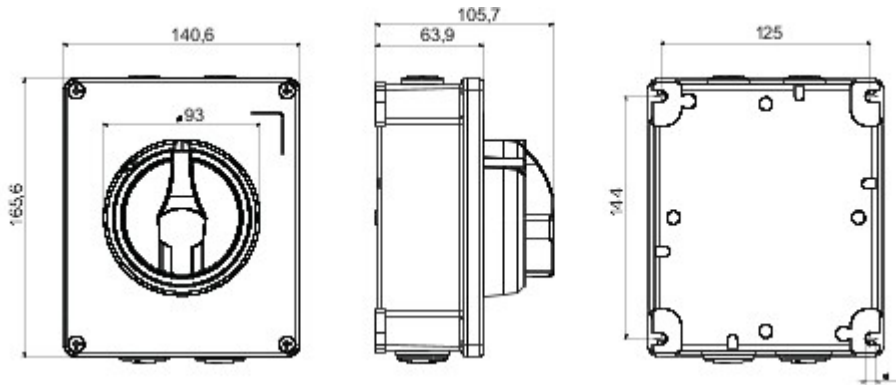


70 RT HP is a new range of 16A to 160A switch disconnectors in isolating material and metal, supplied in a box. Available in control and emergency versions, the range is completed by board versions for front-panel or DIN rail assembly, in 16 to 63A options, all of which can be equipped with auxiliary contacts. These devices have been designed to deliver the ultimate in reliability, functionality and performance. They offer a technologically advanced solution that simplifies installation, reduces wiring times and ensures maximum safety and robustness, even in the most demanding conditions, thanks to the use of high-performance materials.

| Versiune | Doză | Material | Metal |
|---------------------------|---------------------------|----------------------------|---------------------------|
| Tip | Pentru urgență | Curent nominal (A) | 16 |
| Înterupător | Rotary izolator | Clasă de protecție IP | IP66 |
| Cod IK | IK10 (IK08 knob) | Temperatură ambientă | -25 +60 °C |
| Lid screws (no. and type) | 4 metal screws | Intrare orificii | 4xM20 |
| Blocabil | YES (max. 3 locks in OFF) | Complet cu | Max. 2 auxiliary contacts |
| Current in AC22 (415V) | 16 | Current in AC23 (415V) | 16 |
| Secțiune cabluri | Max 10 mm ² | Dim. exterioare LxHxP (mm) | 140x165x64 |
| Electrocod | 1742 | | |



DIMENSIONAL



TECHNICAL SYMBOLOGY

IP

IP66

IK

IK10 (IK08 knob)

STANDARDS/APPROVALS

