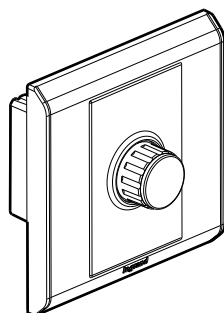


Belanko™ 1000 W RL dimmer

Cat. No(s): 6 170 31 - 6 172 31 - 6 173 31 - 6 174 31



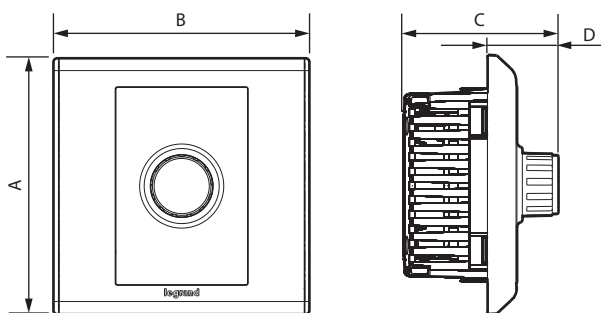
1. USE

Lighting control universal dimmer, complete delivered.
 Can be associated with one or several push-buttons, for ON/OFF or dimming control.
 For flush-mounting or surface mounting box.
 Supplied with 2 screws M3.5 for BS boxes.

2. RANGE

Push ON/OFF and rotary dimmer - 1 gang - 2-way			
White	Ivory	Dark Grey	Brown
6 170 31	6 172 31	6 173 31	6 174 31

3. OVERALL DIMENSIONS (mm)



A	B	C	D
86	86	53	28

4. CONNECTION

Type of terminals : with screws
 Terminal capacity: 4 x 1 mm² - 4 x 1.5 mm² - 2 x 2.5 mm² - 1 x 4 mm²
 Stripping length: 8 mm
 Screwdriver: 4 mm flat blade
 Compatible with flexible or rigid cables

5. TECHNICAL CHARACTERISTICS

■ 5.1 Mechanical characteristics

Impact tests: IK 04
 Penetration by solid bodies/liquids: IP 40

■ 5.2 Material characteristics

Thermoplastic with glossy finish (White, Ivory)
 Colour: White T084: PC
 Ivory: PC
 Dark Grey: PC painted
 Brown: PC painted

Base: PP

Halogen free
 UV resistant

Self-extinguishing:

- + 850° C / 30 s for insulating parts holding live parts in place.
- + 650° C / 30 s for other parts made of insulating materials.

■ 5.3 Electrical characteristics

Voltage: 100 to 240 V~

Frequency: 50/60 Hz

- 60-1000 W (230 V) / 60-500 W (127 V) for incandescent and halogen lamps.

- 60-600 VA (230 V) / 60-300 VA (127 V) for halogen lamps with electronic transformer with leading edge behaviour.

- 60-1000 VA (230 V) / 60-500 VA (127 V) for halogen lamps with ferromagnetic transformers.

Slider at the back to select 230 V or 127 V

■ 5.4 Climatic characteristics

Storage temperature: - 10° C to + 70° C

Use temperature: - 5° C to + 35° C

6. CLEANING

Clean the surface with a cloth.

Do not use acetone, tar-removing cleaning agents or trichloroethylene.

Resistance to the following cleaning substances:

Hexane (EN 60669-1), Methylated spirit, Soapy water, Diluted ammonia, Diluted pure bleach 10%, Glass cleaning product.

Caution: An initial test is required for the use of other special maintenance products.

7. STANDARDS AND APPROVALS

Compliance with standards of installation and manufacturing.
 See e.catalogue.