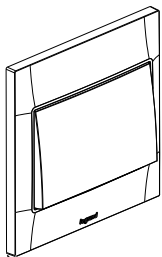
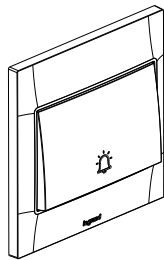


Belanko™ S 6 A Switches

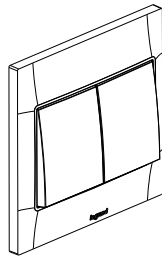
Cat. No(s): 6 17X 10/11/15/16



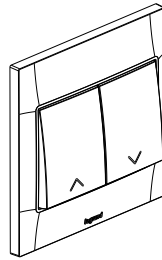
6 17X 10



6 17X 11



6 17X 15



6 17X 16

CONTENTS

1. Use.....	1
2. Range.....	1
3. Preparation.....	1
4. Overall dimensions.....	1
5. Connection.....	2
6. Technical characteristics.....	2
7. Cleaning.....	2
8. Conformity - Approvals.....	2

1. USE

Doorbell or shutter push-buttons with or without marking elements.
(Supplied with M3.5 screws for BS boxes. Flush mounting or surface mounting.)

2. RANGE

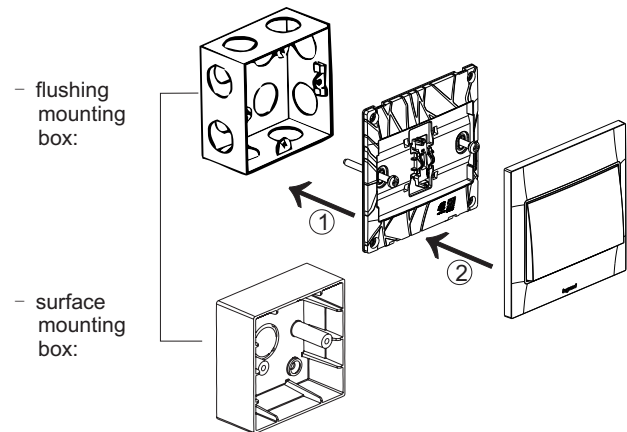
	Designation	Cat. No.	Weight(g)
	1 Gang 1 WAY 6A PUSH BUTTON	6 17X 10	55
	1G BELL PUSH 6A WITH MARKING	6 17X 11	55
	2 GANG PUSH BUTTON	6 17X 15	64
	1G PUSH SHUTTER 6A MARKED	6 17X 16	64

Colours

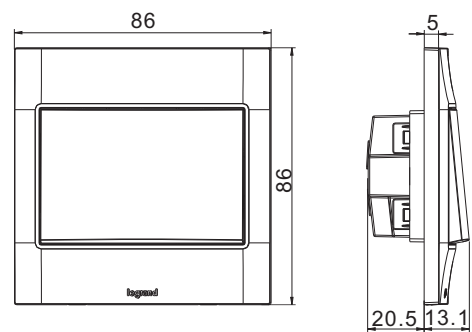
-Front: white/anthracite/ivory
-Rear: grey
6 176 XX White
6 177 XX Anthracite
6 178 XX Ivory

3. PREPARATION

3.1 General preparation



4. OVERALL DIMENSIONS



Profile Size: 86×86mm
Distance of installation hole: 60.3 mm
Minimum depth of the box>35 mm

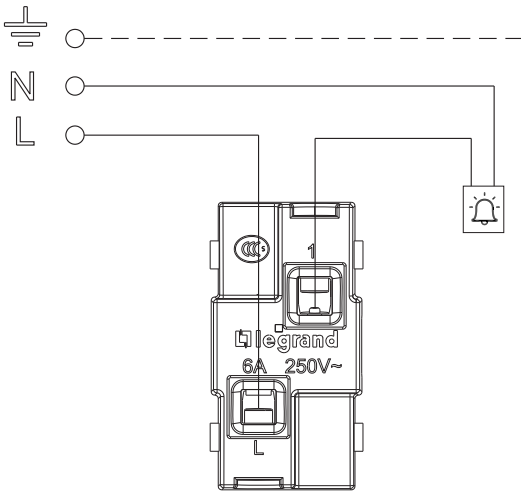
5. CONNECTION

5.1 Terminals

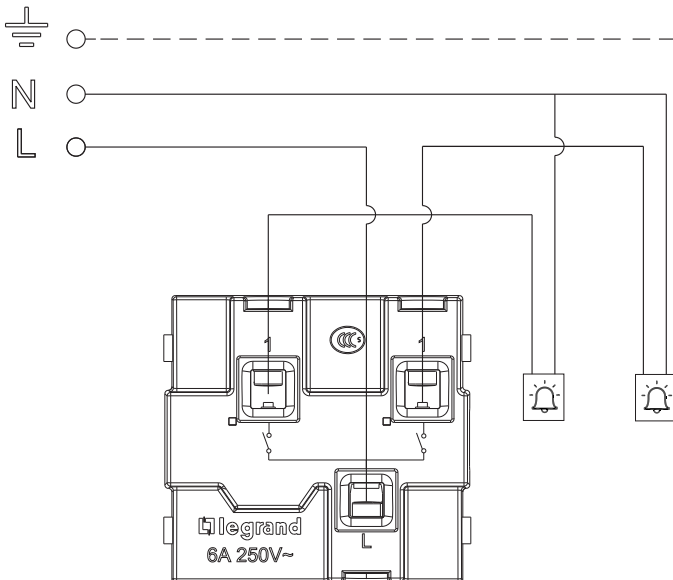
Terminal capacity: 3 X 1 mm²
3 X 1.5 mm²
2 X 2.5 mm²
1 X 4 mm²

Recommended screwdriver size: <4 mm flat blade
Recommended stripping length: 12 mm
Recommended terminal tightening torque: 0.5Nm

5.2 Circuit diagrams



One way push button



2 Gang push button

6. TECHNICAL CHARACTERISTICS

6.1 Material characteristics

Rocker: Polycarbonate
 Frame: Polycarbonate
 Base: PP
 Self-extinguishing:
 + 850° C / 30 s for insulating parts holding live parts in place
 + 650° C / 30 s for other parts made of insulating materials

6.2 Electrical characteristics

Voltage: 250V~
 Current: 6A

6.3 Climatic characteristics

Storage temperatures: -10°C to +70°C
 Operating temperatures: -5°C to +50°C

6.4 Mechanical characteristics

Impact test: IK04
 Protection against solids & liquids: IP20

7. CLEANING

Surface cleaning with a soft, slightly damp cloth.
 Do not use: acetone, tar remover, trichloroethylene

8. CONFORMITY - APPROVALS

Conform to BS EN 60669-1 ; MS/IEC 60669-1; SS227.